



ELITE SCREENS

# Elite ezFrame/Cinema235 & Sable Frame Series

Fixed Frame Projection Screen

User's Guide

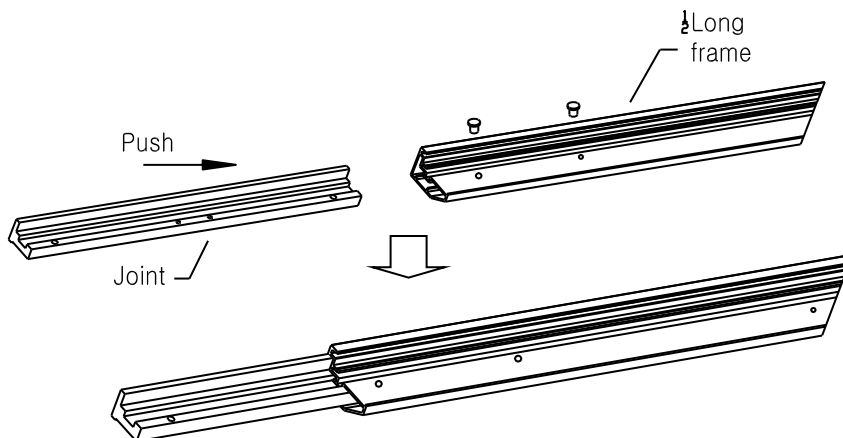
## Parts List

1. Frame Parts x 6 pcs (4 top/bottom frame pcs. + 2 side frame pcs)
2. Tension Rods x 6 pcs (4 top/bottom rods + 2 side rods)
3. Screen Material x 1 pc
4. Center joints x 2 pcs
5. Elbow Joints x 4 pcs
6. Wall brackets x 2 – 3 pcs (depending on model/size)
7. Screws x 16 pcs
8. Center Support Bar x 1 – 2 pcs (depending on model/size)
9. Support joiner x 2 – 4 pcs (depending on model/size)
10. Fix Plates x 30 – 90 pcs (depending on model/size)

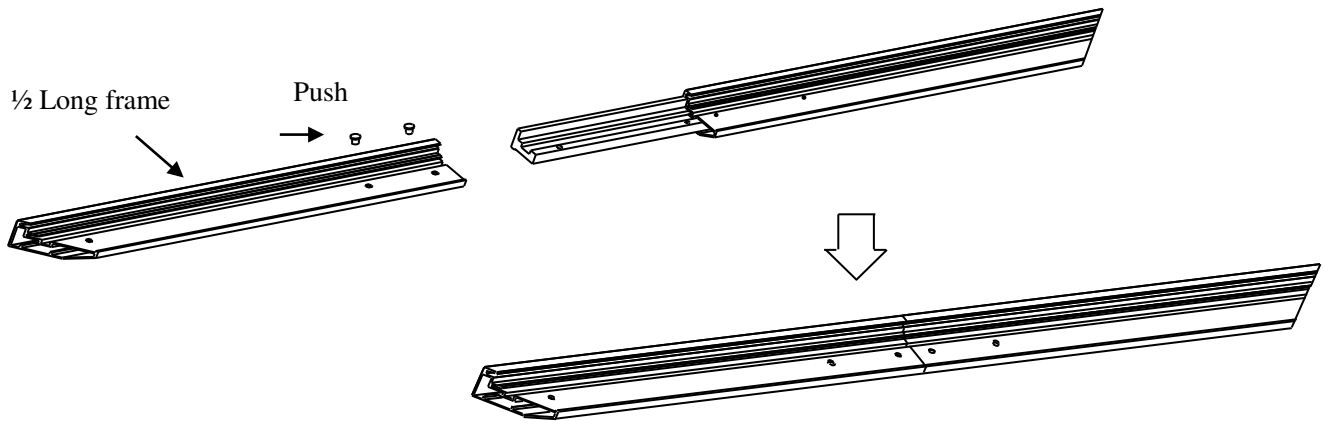
**Note:** Please make sure all parts are included in your package before proceeding to assemble your Elite Screens fixed frame projection screen.

## FRAME ASSEMBLY

1. Insert the **center joint** connector to the horizontal frame piece and then fasten it with 2 **screws**.

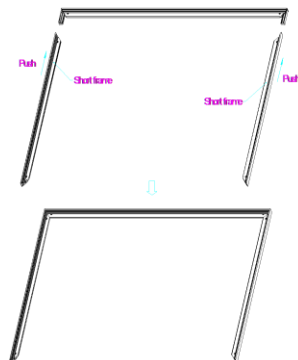
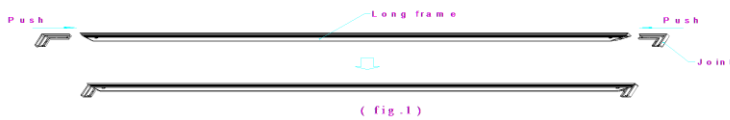


2. Insert the other horizontal frame piece to the **center joint** connector and then fasten it with 2 screws.

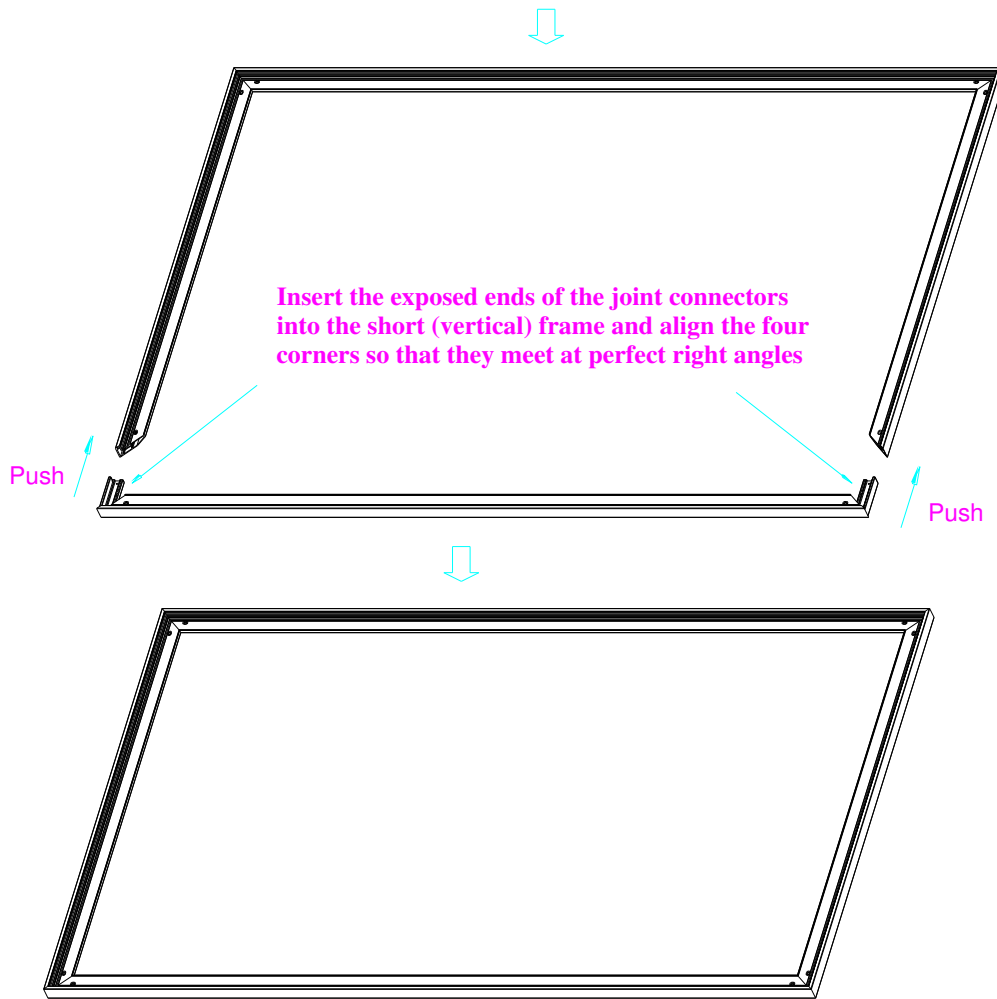


**Please do not secure the screws completely until the frames pieces have been lined up correctly.**

3. Insert both **elbow joint** connectors into the long horizontal frame (see **fig.1**)



4. Join all four frame parts together following the steps shown below. (fig.2)



( fig.2 )

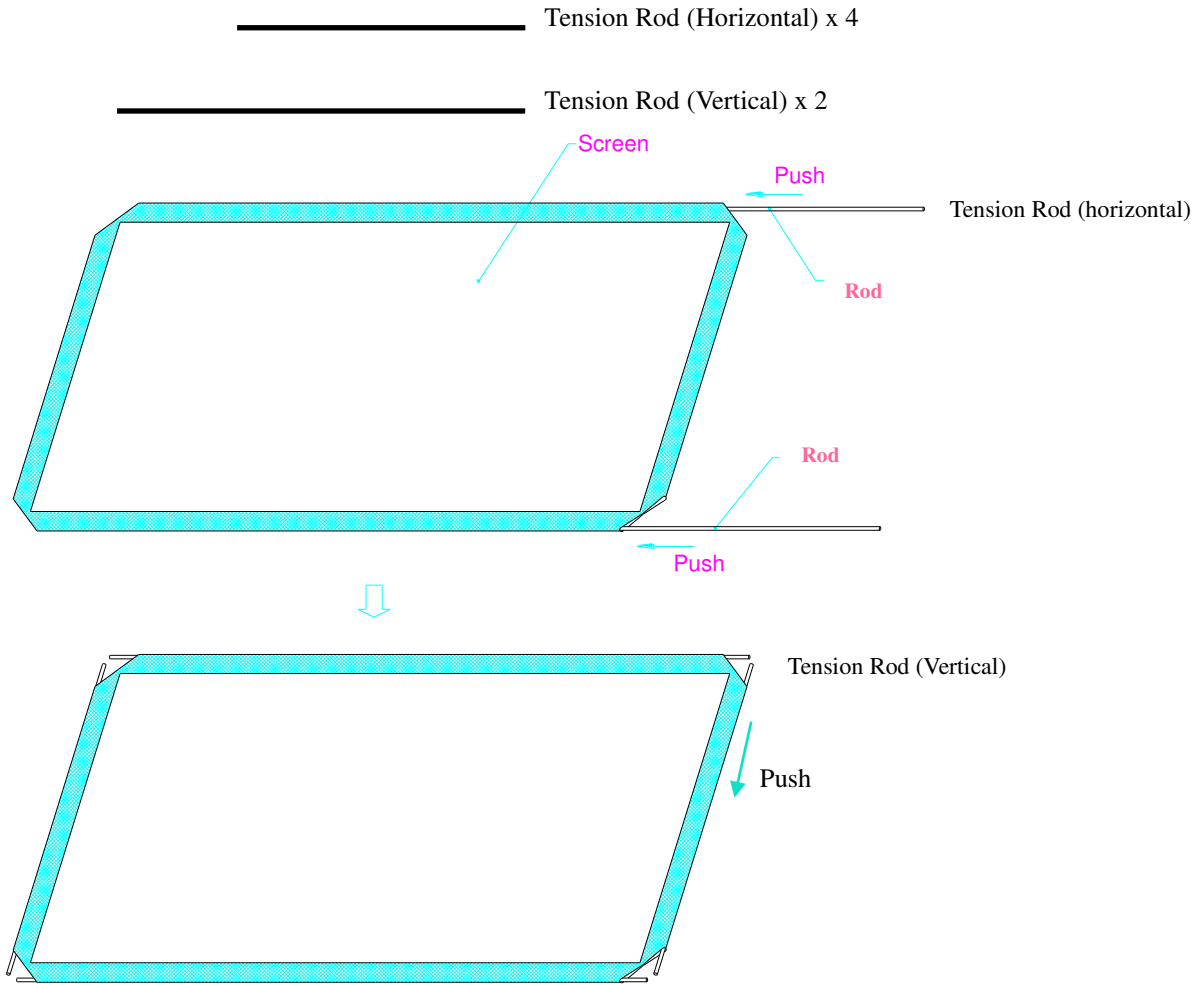
5. After making sure that all four corners join at right angles to form a perfect rectangle, fasten the four angles together by using the (x8) joint screws included.(see fig.3)



( fig.3 )

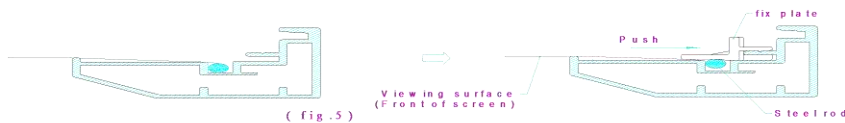
# Attaching the screen material to the frame

1. Lay out the screen and **tension rods** on a clean and dry surface. Insert the screen **tension rods** through the sleeves according to their corresponding lengths on each edge of the screen as shown below. (see **fig.4**)



( fig.4)

2. Place the screen material on the back of the built frame and slip the tension rods into the grooves running along each side on the back of the frame on all four corners and insert the **fix plates** to the back of the frame's grooves to secure the rods in to place creating tension for a tight and flat surface. (see **fig. 5 & fig. 6**)



(fig. 5)

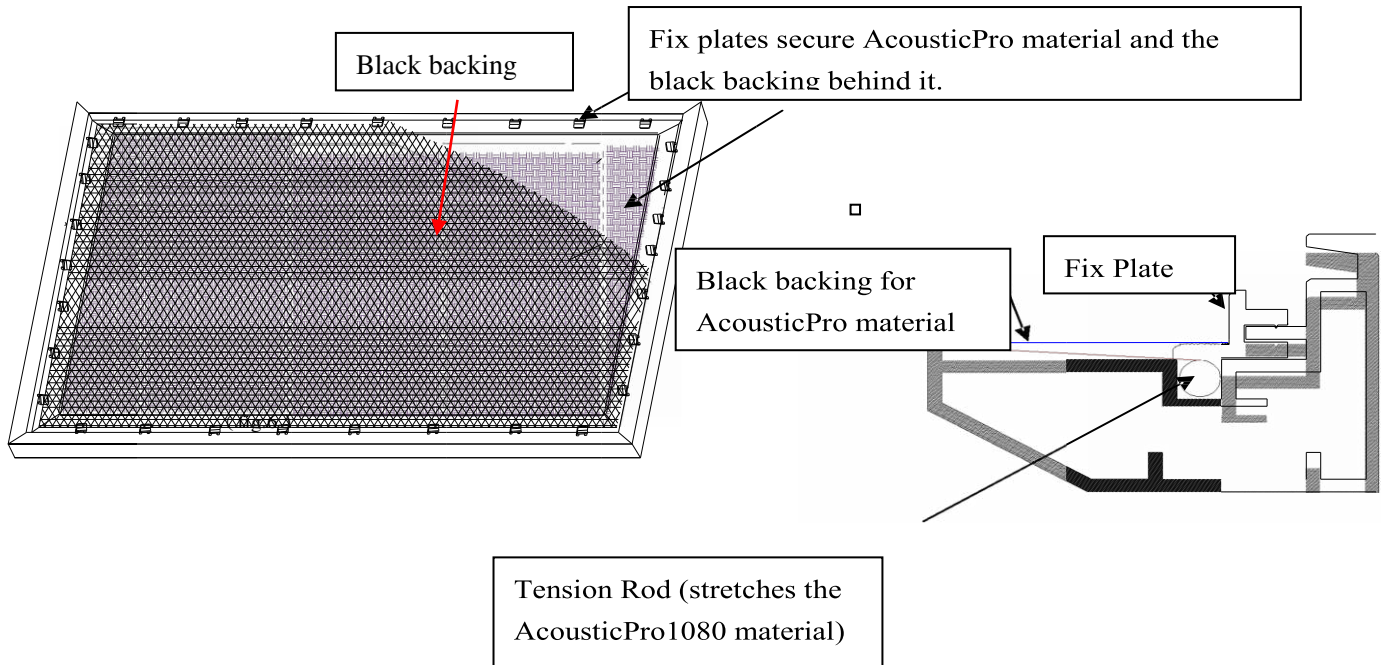
(fig. 6)

Tension Rod

## Black backing for AcousticPro models

This procedure only applies to AcousticPro models. Disregard this section if your ezFrame does not include either the AcousticPro1080 or AcousticPro4K screen material. The purpose of the black backing material is to block out any light penetration that may reflect off of anything mounted behind the screen, which can cause distortion to the projected image.

**The black backing is held in place by the Velcro that is on the fix plates.**



Interval markings reveal the best points for inserting the fix plates (Fig. 1). The prongs on the fix plates insert to the lip on the back of the frame creating a friction hold that will firmly keep the material and black backing in place (Fig. 2-3). After the material has been installed, the backing will lie over the back of the white (AcousticPro) material and then be held in place by the Velcro on the fix plates.



Fig. 1



Fig. 2

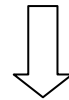


Fig. 3

## Attaching the Fix Plates

1. Make sure that the material and frame are both lying face down on a clean, dry and non-abrasive surface.

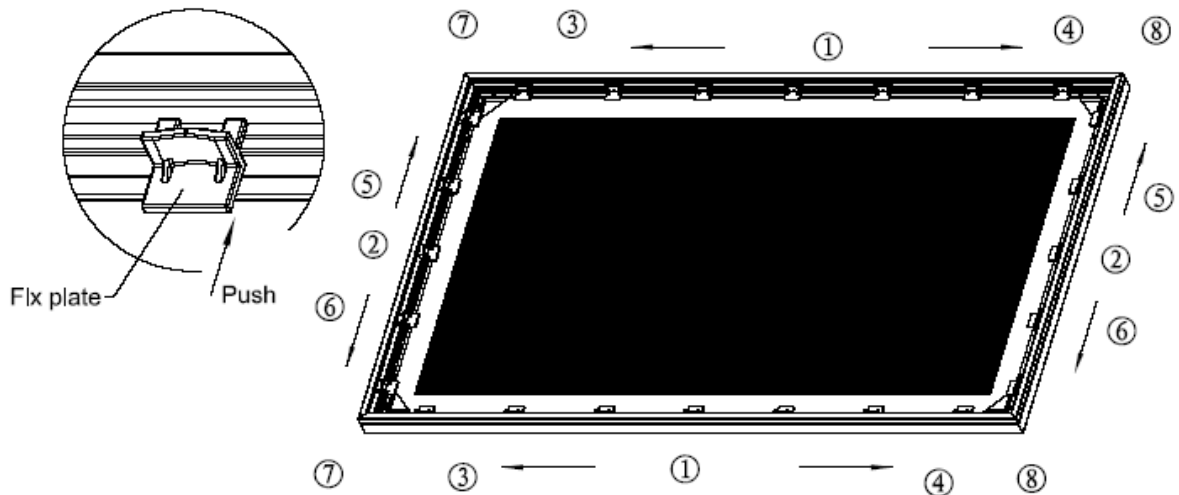
2. Center the material inside the frame.

*Please note that the material will be noticeably smaller than the frame. The size differential is needed in order to be able to stretch the material as you attach it to the frame so that the end result is a flat viewing surface.*

3. Start by attaching the fix plates in the center of the long horizontal frame (1), then alternate with the center short sides (2) as shown in the diagram below (fig.7).

Note: Follow these instructions to make sure the material is properly fixed in the center position of the frame. After attaching the fix plates in sequence# 2 (the center of the short sides), please remove the fix plates in sequence #1(the center of the long horizontal edge) and reattach them again, and also remove the fix plates on sequence# 2 and reattach them again.

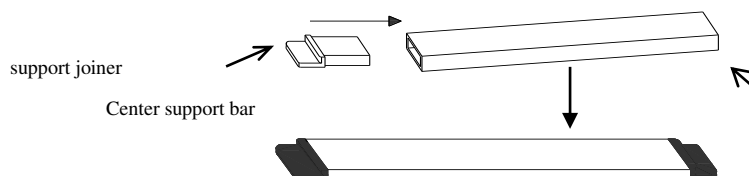
4. Then continue to follow our recommended order (numbers 3-8) to properly distribute tension to the screen material.



(Fig. 7)

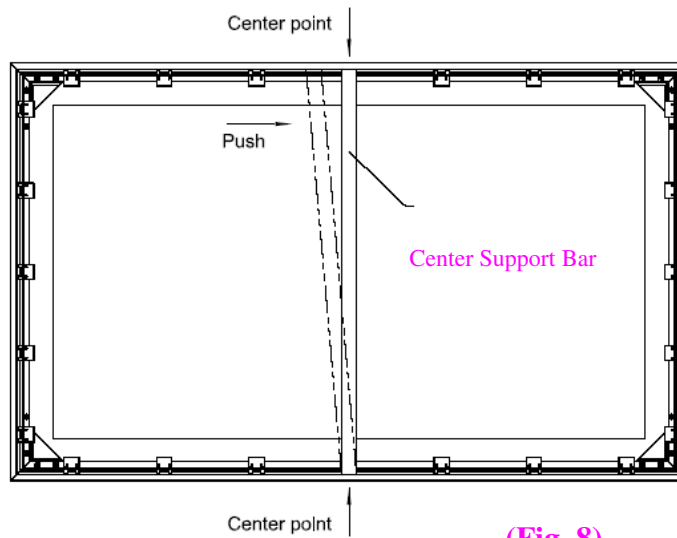
## Center Support Bar

1. Insert the **support joiner** into each end of the center support bar to complete assembly.



2. Insert the **Center Support Bar** into the upper top groove on the back of the frame (not the one where the fix plate inserts) with the bottom end near the approximate center point of the frame and rotate it in at an angle so that both ends of the bar are in alignment with the groove.(see Fig. 8 below for details).

- Slide the top end of the bar into the top center point of the frame to complete the center support bar installation. **This will provide added stability to your frame and added tension to the material.**



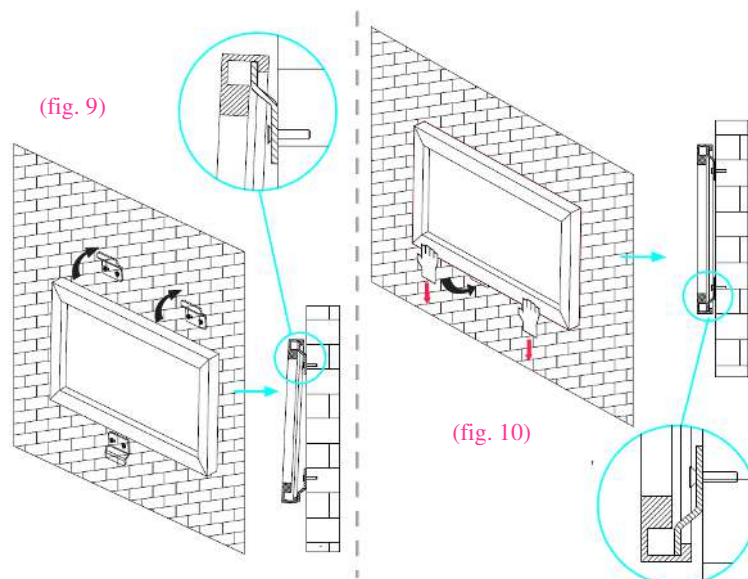
(Fig. 8)

## Installation

- Locate your desired installation location with a stud finder (recommended) and mark the drill-hole area of where the screen is to be installed.
- Drill a hole with the proper bit size according to the wood screws included.
- Line up the wall brackets with the drilled holes on the installation location and screw them in using a Phillips screwdriver.

**Note: Use 2 wall brackets on diagonal sizes below 135", and use 3 wall brackets on diagonal sizes 135" and above.**

- Position the fixed frame screen onto the top wall brackets as shown in (fig. 9) and push down at the center of the bottom frame to secure the installation.
- The design of the wall brackets allows the frame to slide over them through its sides. This is an important feature of the installation design as it allows your screen to be properly centered.
- Using both hands finish the installation by pushing the lower portion of the fixed frame screen into the lower bracket as shown in fig 10.



## CAUTION

### Please follow these instructions carefully to ensure proper maintenance and safety with your ezFrame Screen

1. When hanging the screen up, please make sure that no other objects such as power switches, outlets, furniture, ladders, windows, etc. occupy the space designated for your Fixed-Frame screen.
2. Regardless if the screen is hung on or installed into the wall, make sure that the proper mounting anchors are used and that the weight is supported appropriately by a strong and structurally sound surface just as any large and heavy picture frame should.  
*(Please consult a home improvement specialist for the best advice on installation)*
3. Frame parts are made of high quality velour-surfaced aluminum and should be handled with care.
4. When not in use, cover over the screen with a furniture sheet to protect it from dirt, grime, paint or any other impurities.
5. When cleaning, use a damp soft cloth with warm water to remove any marks on the frame or screen surface.
6. Never attempt to use any solutions, chemicals or abrasive cleaners on the screen surface.
7. In order to avoid damaging the screen, avoid touching it directly with your fingers, tools or any other sharp or abrasive objects.
8. Spare Parts should be placed out of reach of small children in accordance with household safety guidelines.

## WARNING

- The projection screen frame is made of high-quality aluminum alloy and should be handled with care.
- Use a soft cloth with warm water to remove any spots on the screen surface.
- To avoid damaging the screen material, never attempt to use any solutions, chemicals or abrasive cleaners on the screen itself and never attempt to touch screen with your fingers or sharp/abrasive objects.

For a local Elite Screens contact or Technical Support, please visit

[www.elitescreens.com](http://www.elitescreens.com)