



# MicroFlip Screen

Ultra-Portable Front Projection Screen with  
StarBright7 Material

User Guide



# Attention:

The StarBright7 screen material used in the MicroFlip Screen is composed of high quality sensitive multi-layer projection material.

**Please follow the pre-cautions below for proper care procedures and to prolong the life of your StarBright7 material.**

Failure to comply will result in voiding your warranty.

**Avoid using any chemical compounds or harsh abrasives which will result in permanently damaging the screen material.**

**🔊 USE ONLY a soft non-abrasive cloth with mild soap and water to clean the screen material**

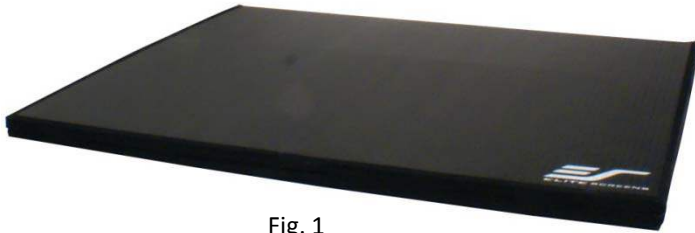
**🔊 DO NOT rub the cloth with force when cleaning to avoid permanently scratching the surface**

**🔊 DO NOT touch the screen surface with sharp objects**

**🔊 USE ONLY a soft feathered brush to remove dust**

# MicroFlip Screen Set-up instructions

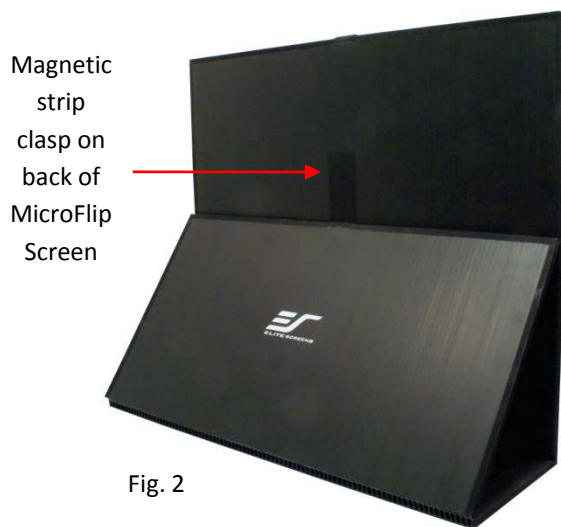
Step 1: Open the MicroFlip Screen



MicroFlip Screen closed

Fig. 1

Step 2: Flip the back part (see fig.2) and use the magnetic clasp hold the MicroFlip screen's position.



Magnetic strip clasp on back of MicroFlip Screen

Fig. 2

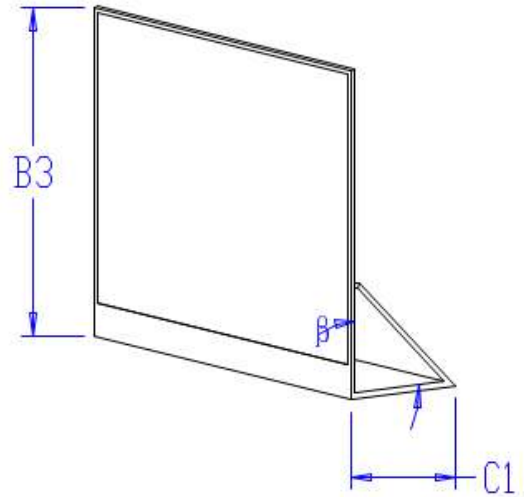
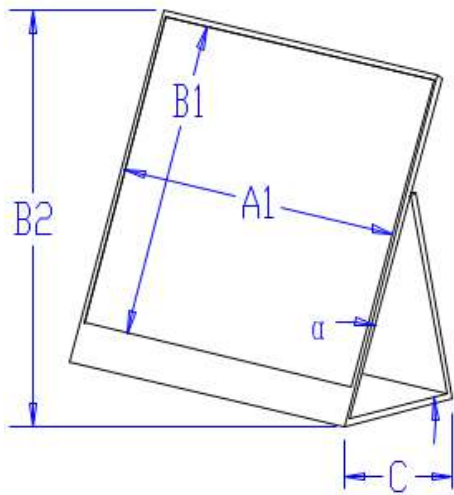
Step 3: Angle the screen as needed by sliding the back part of the MicroFlip screen UP or DOWN.



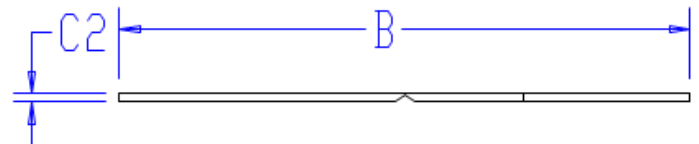
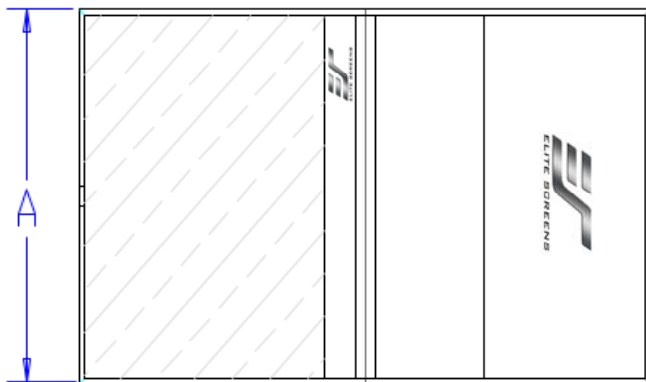
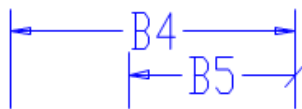
Fig. 3

# MicroFlip Screen Dimensions Table

Unit: mm														
Model	Screen Diag/Aspect Ratio	Overall Width (A)	View Width (A1)	Overall Length (B)	View Height (B1)	Height at max. angle (B2)	Height at min. angle (B3)	B4	B5	C	C1	Depth (C)	Min. angle ( $\alpha$ )	Max. angle ( $\beta$ )
PB15G7	15" (4:3)	315	305	546	229	248	271	272	160	118	118	6	65°	95°
PB17G7	17.5" (4:3)	366	356	624	267	283	311	312	190	128	128	6	65°	95°
PB20G7	20" (4:3)	416	406	680	305	308	339	340	190	156	156	6	65°	95°
Unit: inch														
Model	Screen Diag/Aspect Ratio	Overall Width (A)	View Width (A1)	Overall Length (B)	View Height (B1)	Height at max. angle (B2)	Height at min. angle (B3)	B4	B5	C	C1	Depth (C)	Min. angle ( $\alpha$ )	Max. angle ( $\beta$ )
PB15G7	15" (4:3)	12.4	12.0	21.5	9.0	9.8	10.7	10.7	6.3	4.6	4.6	0.2	65°	95°
PB17G7	17.5" (4:3)	14.4	14.0	24.6	10.5	11.1	12.2	12.3	7.5	5.0	5.0	0.2	65°	95°
PB20G7	20" (4:3)	16.4	16.0	26.8	12.0	12.1	13.3	13.4	7.5	6.1	6.1	0.2	65°	95°



MicroFlip Expanded



Register your warranty at [www.elitescreens.com/register.html](http://www.elitescreens.com/register.html)

**US & Canada Tech Support & Warranty Claim**

Please contact us at [service@elitescreens.com](mailto:service@elitescreens.com) or call +1 877-511-1211 #3 Service

**Europe Tech Support & Warranty Claim**

Please contact us at [service@elitescreens.eu](mailto:service@elitescreens.eu) or call +49-(0) 40-30392958

**Asia or China Tech Support & Warranty Claim**

Please contact us at [service@elitescreens.com.cn](mailto:service@elitescreens.com.cn) or call +86-(0) 755-8461-7989

**Taiwan Tech Support & Warranty Claim**

Please contact us at [service@elitescreens.com.tw](mailto:service@elitescreens.com.tw) or call +886-(02)2747-8979

**America: Elite Screens Inc**

16410 Manning Way, Cerritos, CA 90703 USA

Tel: 877-5111211 Fax: 562-483-8498

[info@elitescreens.com](mailto:info@elitescreens.com)

[www.elitescreens.com](http://www.elitescreens.com)

**Europe: Elite Screens Europe GmbH**

Lübecker Straße, 122087 Hamburg, Germany

Tel: +49-40-30392494 Fax: +49-40-49219200

[info@elitescreens.eu](mailto:info@elitescreens.eu) [www.elitescreens.eu](http://www.elitescreens.eu)

**Asia: Elite Screens China Ltd.**

Longxi Duimianling Industry Zone Longcheng

Longgang District, ShenZhen GuangDong, China

Tel: +86-(0)755-8461-7989 Fax: +86-(0)755-8461-7669

[info@elitescreens.com.cn](mailto:info@elitescreens.com.cn)

[www.elitescreens.com.cn](http://www.elitescreens.com.cn)

**Taiwan: Elite Screens Taiwan Corp.**

1F. No. 38 Alley 22 Lane 66 Sec. 5 Nanjing E. Rd.

Songshan District. Taipei City 105, Taiwan

Tel: +886-(02)2747-8979 Fax: +886-(02)2747-8978

[info@elitescreens.com.tw](mailto:info@elitescreens.com.tw)

[www.elitescreens.com.tw](http://www.elitescreens.com.tw)

**Email contacts:**

**Latin America Contact:**

[erik.garcia@elitescreens.com](mailto:erik.garcia@elitescreens.com)

**East Asia Contact:**

[info.ea@elitescreens.com](mailto:info.ea@elitescreens.com)

**India Contact:**

[info.india@elitescreens.com](mailto:info.india@elitescreens.com)

**Japan Contact:**

[info.japan@elitescreens.com](mailto:info.japan@elitescreens.com)