
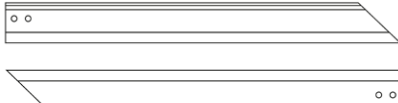
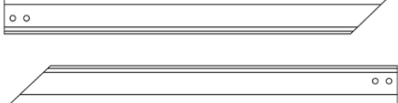


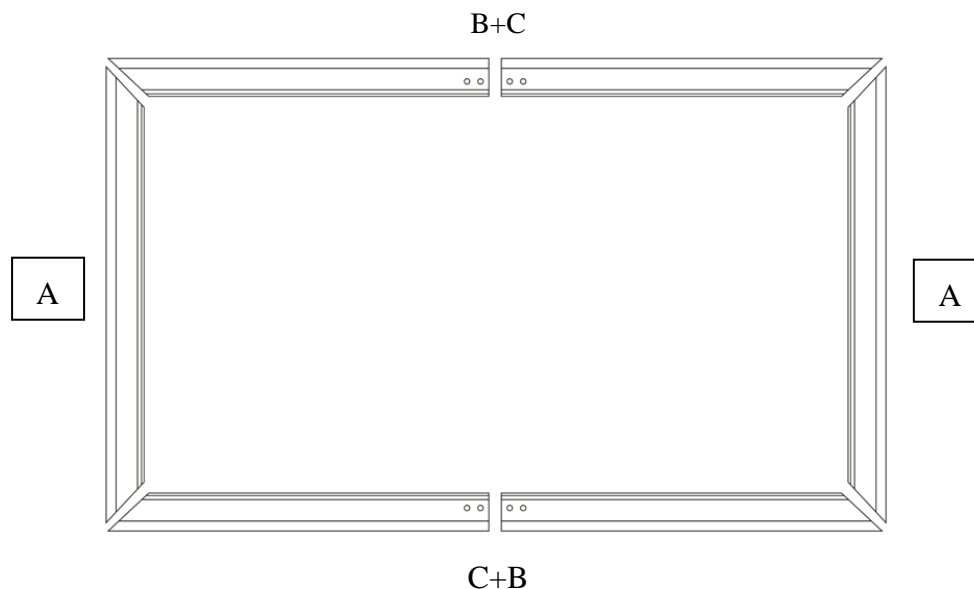
Thank you for choosing an Elite Screens fixed frame projection screen! *Congratulations on your new Aeon Series purchase!* Please read through this user guide before utilizing the screen. Correct usage and maintenance will ensure a long product life.

## Care & Use Instructions

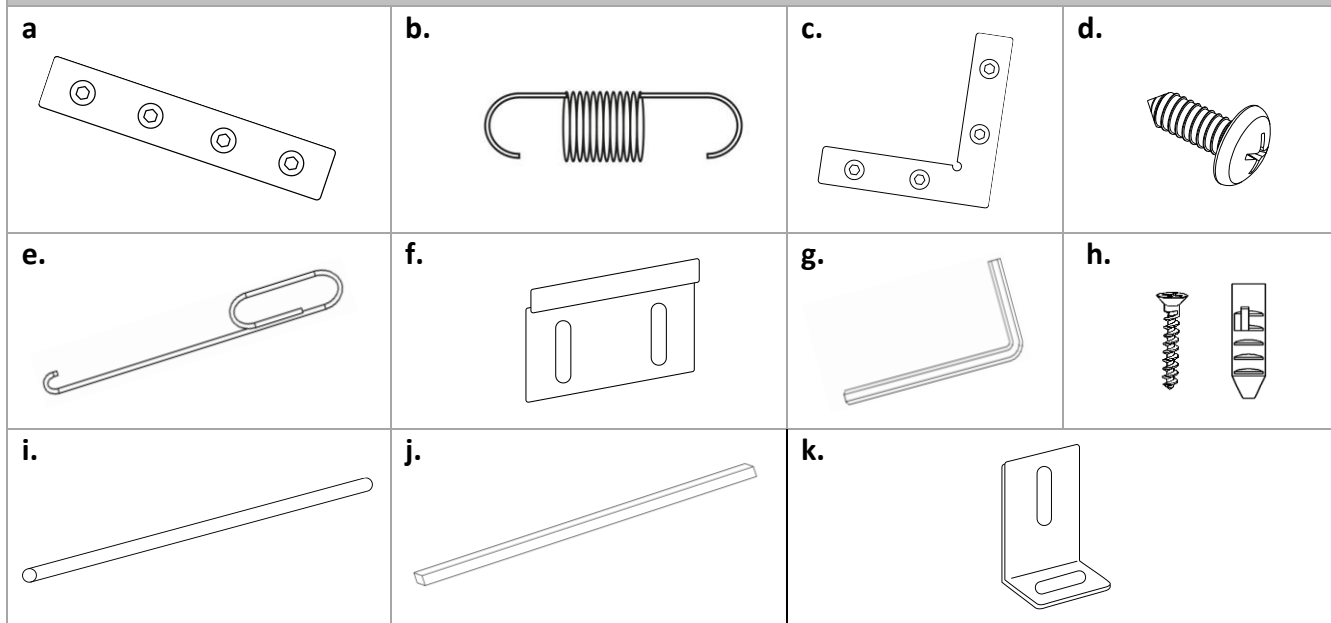
**Dust, dirt and scratches on the projection surface will affect the picture quality, please take note of the points below to prevent that from occurring:**

1. Do not touch the projection surface with your hands
2. Do not write or draw on the projection surface
3. Do not use fingers or sharp objects to point on the projection surface; this will damage the screen material.
4. Use a soft-damp cloth to clean the projection surface; do not use chemical cleaning agents or alcohol.
5. Use clean water when dampening the cleaning cloth and do not rub against the material to clean it.

Frame Parts List		
A. Vertical Frame x 2pcs 	B. ½ Horizontal Frame x 2pcs 	C. ½ Horizontal Frame x 2pcs 



## 2. Hardware Parts List



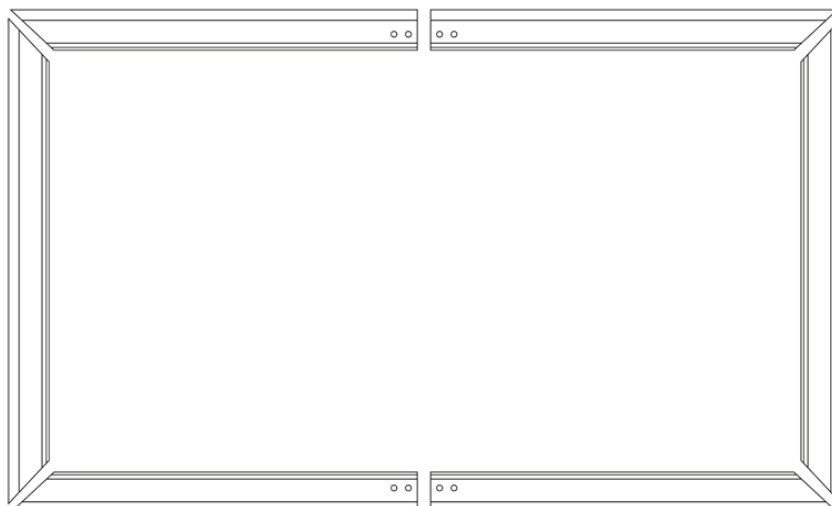
Item	Parts List	AR100H	AR120H	AR135H	AR150H
a.	Center Joints	2	2	2	2
b.	Springs	100	100	105	120
c.	Elbow Joints	4	4	4	4
d.	M5*12 Screw	12	12	12	12
e.	Pull Hook	2	2	2	2
f.	Wall Bracket	2	2	2	2
g.	Allen Key	1	1	1	1
h.	Wood Screws/Anchors	6/6	6/6	6/6	6/6
i.	Tension Rods	6	6	6	6
j.	Center Support	1	1	1	1
k.	Bottom Wall Bracket	2	2	2	2

**Note: Additional spare parts may be included**

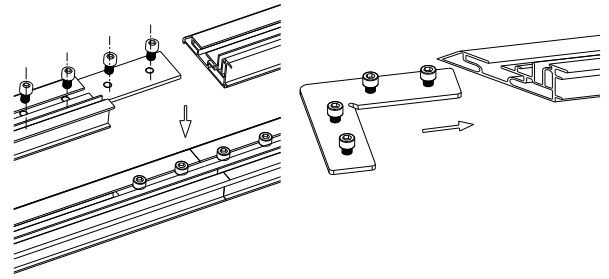
### Frame Assembly

**Step 1.** Place a soft-clean cloth on the ground or other flat surface of the area where the screen will be assembled.

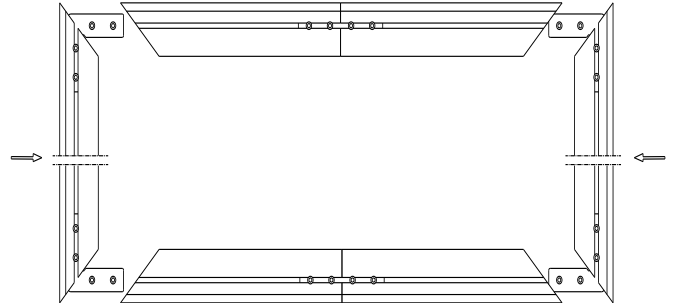
**Step 2.** Position the pieces of the frame face-down on the soft-clean cloth in the arrangement shown below.



**Step 3.** Using the Center Joint (A) connector, connect 2 horizontal frames and securely fasten with Allen key (G). Do the same to the other set of horizontal frames.



**Step 4.** Insert the Elbow Joints (C) to top and bottom sections of the vertical frame. Once inserted, secure the Elbow Joints (C) by fastening them with the Allen key (G) and connect the vertical sections to the horizontal frame. Make sure all corner frame pieces are flush (no gaps). They should form perfect right angles.

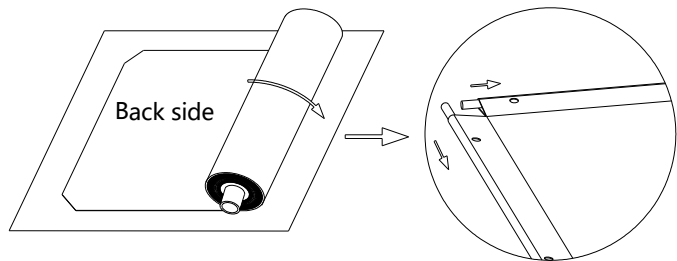


**Do not tighten completely until all frame pieces are assembled correctly.**

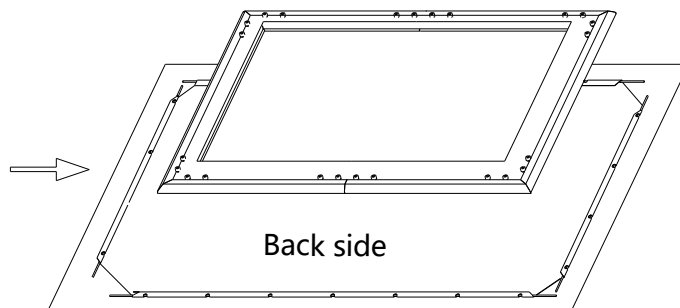
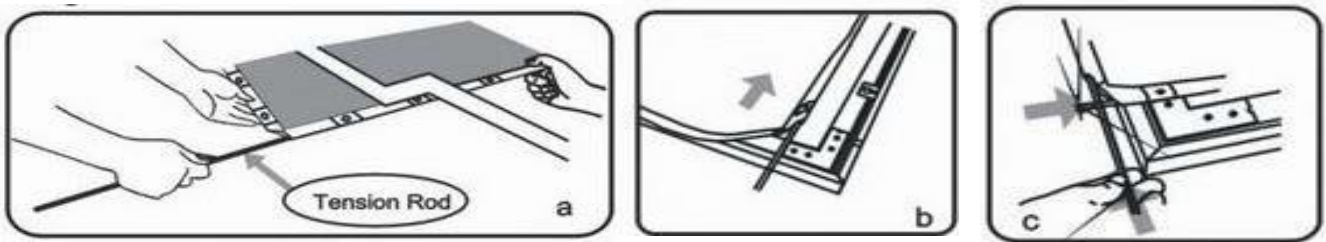
Note: You may have to loosen and adjust the brackets and frame pieces. It will help to leave the screws loose until perfect right angles are formed, then tighten the screws securely.

**To prevent permanent damage to the screen material, be sure your hands are clean for the next step.**

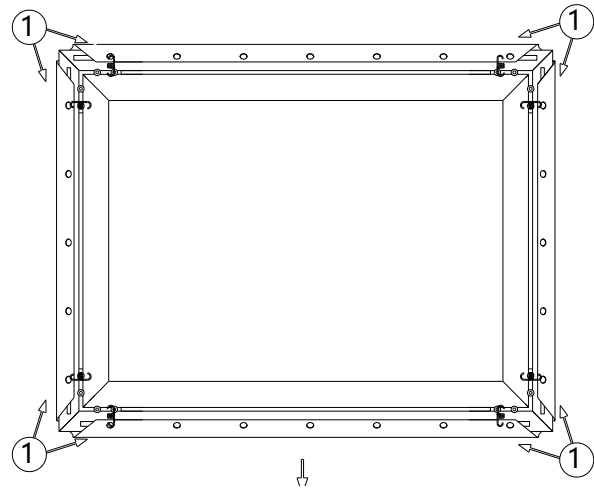
**Step 5.** Place the assembled frame to the side and carefully unroll the screen material face-down on top of a soft-clean cloth.



**Step 6.** Insert the four horizontal and two vertical Tension Rods (I) into the corresponding sides of the screen material, while keeping the material lying flat. Careful not to snag on the holes at the edge of the material during this process; forcing the rods may damage the screen material.



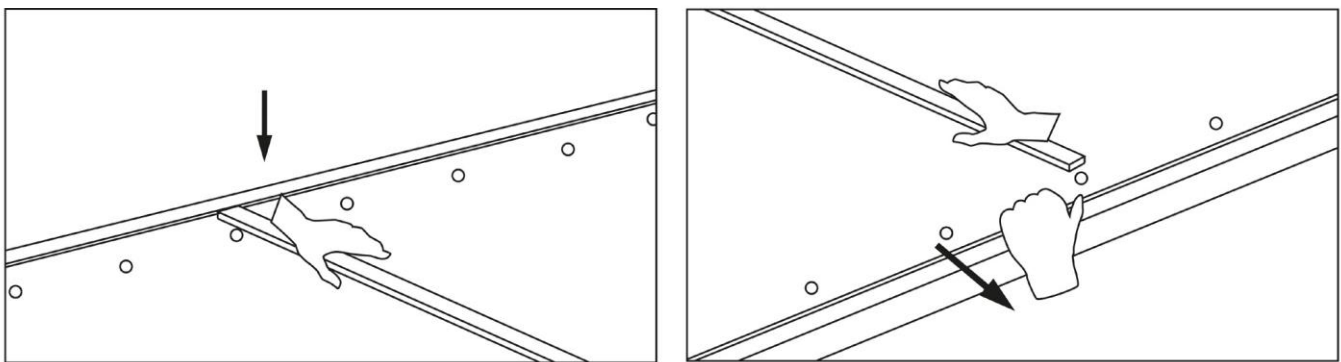
**Step 7.** Carefully place the assembled frame on top of the material and slowly fold the edges over the frame as shown. **Make sure to not allow the angle edge of the frame to come in direct contact with the screen material to avoid puncturing it.**



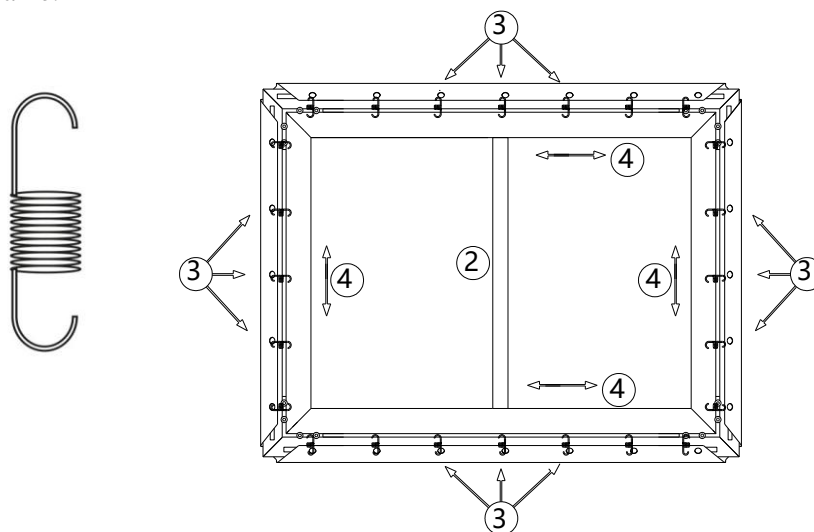
**Step 8.** For this step, ONLY attach the four corners by inserting the Springs (B) into the grooves of the frame and attaching them to the material. Make sure the springs are lined up with the corresponding holes on the materials edge.

**Center Support Bar**

**Step 9.** Two people are suggested for this step. Place the Center Support Bar (J) into the top groove on the back of the frame at the approximate center point. Carefully pull the bottom horizontal frame outward and place the Center Support Bar (J) at the approximate center point of the frame. Carefully release the frame once the bar is centered. (See illustration below)



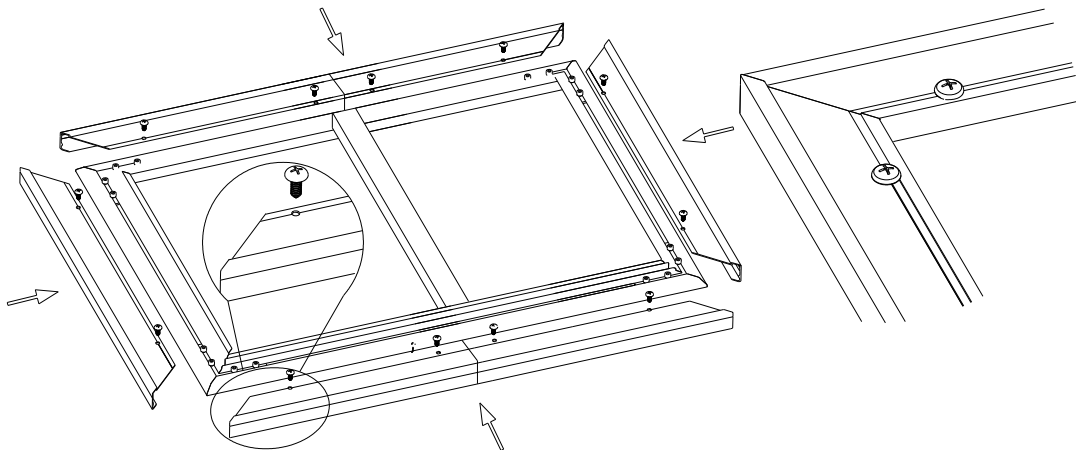
**Step 10.** Once the corners and center support bar are secure, continue attaching the remainder of the Springs (B) to the material. Connect the center of the vertical and horizontal portions of the material, then work your way around the rest of the frame.



**Attention:** Do not proceed with the Edge Trim installation until making sure there are no ripples in the material.

## Edge Trim Installation

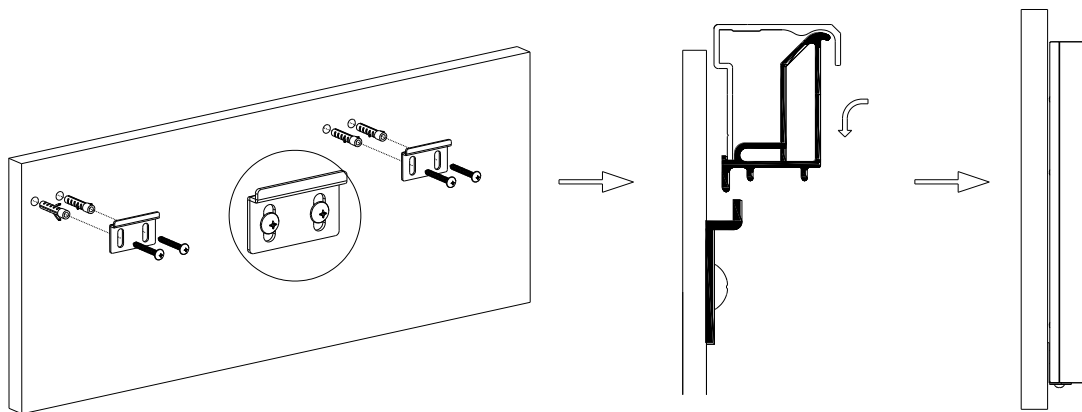
**Step 11.** Place the Edge Trim over each end of the frame and secure with M5x12 screws (D). Start with the center points first, then the rest of the corners as shown below.



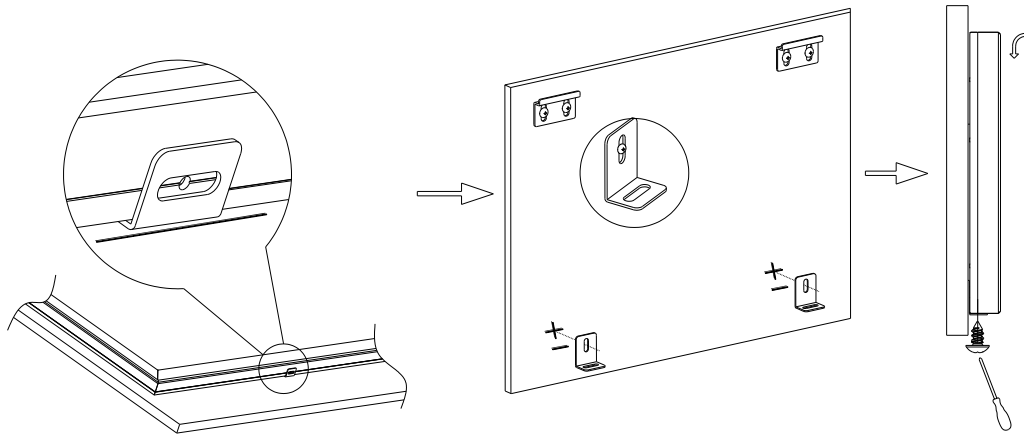
## Installation

**Step 11.** Measure the overall length and height of the frame and drill holes for the Brackets (F). Line up the wall brackets with the drilled holes on the installation location and screw them in using a Phillips screwdriver. If not installing into a structural wood stud, use a hollow wall Anchor (H), then screw in the Wood Screws (H) with a screwdriver. Make sure the brackets are leveled.

**Step 12.** Position the fixed frame screen onto the top wall brackets as shown below and push down at the center of the top of the frame to secure.



**Step 13.** Repeat the same process for the Bottom Brackets (K) by marking the drill-hole area on the wall where they will be installed. Make sure the brackets are flipped the opposite way mirroring the top brackets. Line up the bottom wall brackets with the drilled holes on the installation location and screw them in using a Phillips screwdriver as shown below.



**Step 14.** Once the fixed frame screen is secure on the wall, place a screw at the bottom connecting the screen to the bottom bracket.

## Caution

Please follow these instructions carefully to ensure proper maintenance and safety of your Fixed Frame Screen

1. When hanging the screen up, please make sure that no other objects such as power switches, outlets, furniture, ladders, windows, etc. occupy the space designated for your Fixed-Frame screen.
2. Regardless if the screen is hung on or installed into the wall, make sure that the proper mounting anchors are used and that the weight is supported appropriately by a strong and structurally sound surface just as any large and heavy picture frame should.
3. (Please consult a home improvement specialist for the best advice on installation)
4. Frame parts are made of high-quality velour-surfaced aluminum and should be handled with care.
5. When not in use, cover over the screen with a furniture sheet to protect it from dirt, grime, paint or any other impurities.
6. Spare Parts should be placed out of reach of small children in accordance with household safety guidelines.

**For Technical Support or an Elite Screens contact in your area, please visit**

[www.elitescreens.com](http://www.elitescreens.com)