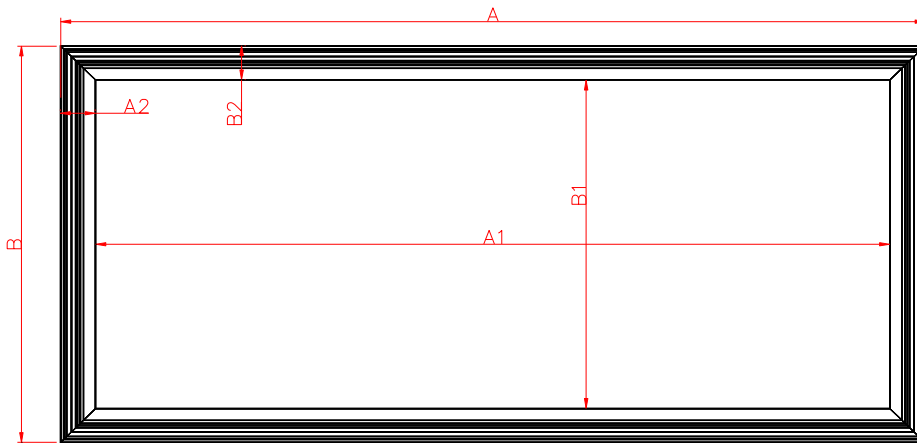


Lunette Series Dimensions Table (mm)

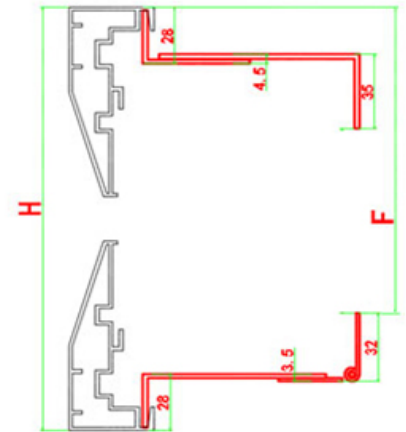
Unit: mm											
Model Number	Screen Diag. & Aspect Ratio	Overall Width (A)	Viewing Width (A1)	Frame Width (A2)	Overall Height (B)	Viewing Height (B1)	B2	C	Frame Depth (D)	E	Distance Between Top/Bottom Outer Brackets (F)
Curve235-96W	96"(2.35:1)	2423	2243	90	1134	954	90	100	40	1150	1015
Curve235-103W	103"(2.35:1)	2587	2407	90	1204	1024	90	109	40	1200	1085
Curve84H-A1080P3	84"(16:9)	2040	1860	90	1226	1046	90	83	40	990	1107
Curve100H-A1080P3	100"(16:9)	2394	2214	90	1426	1246	90	99	40	1165	1307
Curve110H-A1080P3	110"(16:9)	2615	2435	90	1550	1370	90	110	40	1275	1431
Curve120H-A1080P3	120"(16:9)	2837	2657	90	1674	1494	90	123	40	1385	1555
Curve135H-A1080P3	135"(16:9)	3169	2989	90	1861	1681	90	143	40	1550	1742
Curve150H-A1080P3	150"(16:9)	3501	3321	90	2048	1868	90	166	40	1720	1929
Curve235-96A1080P3	96"(2.35:1)	2423	2243	90	1134	954	90	100	40	1150	984
Curve235-103A1080P3	103"(2.35:1)	2587	2407	90	1204	1024	90	109	40	1200	1085
Curve235-115A1080P3	115"(2.35:1)	2867	2687	90	1323	1143	90	125	40	1300	1204
Curve235-125A1080P3	125"(2.35:1)	3101	2921	90	1423	1243	90	139	40	1500	1304
Curve235-138A1080P3	138"(2.35:1)	3405	3225	90	1552	1372	90	159	40	1600	1433
Curve235-158A1080P3	158"(2.35:1)	3872	3692	90	1751	1571	90	195	40	1750	1632
Curve235-196A1080P3	196"(2.35:1)	4761	4581	90	2129	1949	90	275	40	2200	2010

Note: Data Error ±1"

The listed measurements are for general reference only. Please contact Elite Screens to verify product design and dimensions before attempting to integrate its products with any structural or furniture modification. Although a manufacturer may offer product advice, it may be taken or disregarded at the integrator's discretion. Elite Screens will not be held responsible or be otherwise liable for faulty installations.



Top of Frame



Bottom of Frame

