

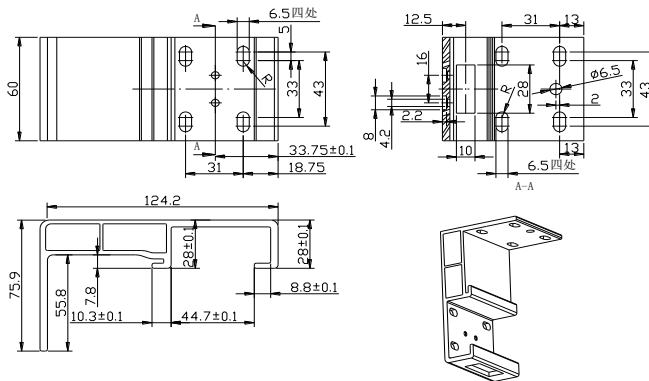
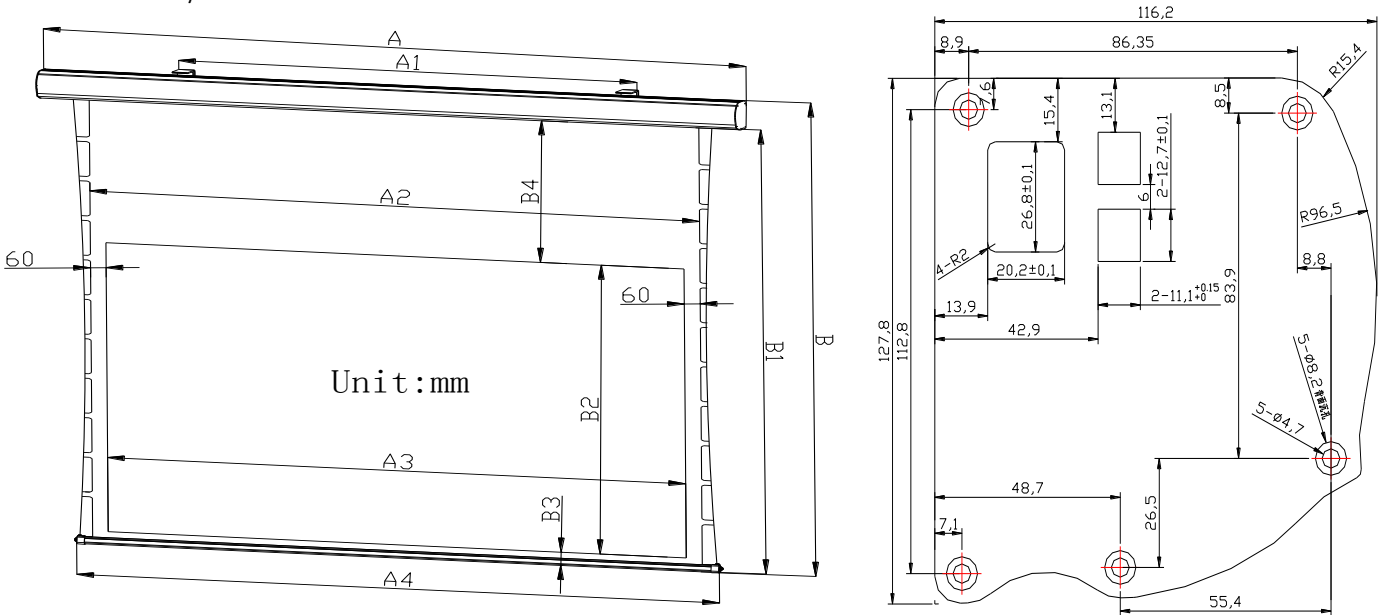
Starling Tab-Tension CineGrey 5D Series Dimensions Table

Unit: mm											
Model Number	Nominal Diagonal	Case Length (A)	Bracket Distance (A1)	Screen Width (A2)	View Width (A3)	Weight Bar (A4)	Overall Height (B)	Screen Height (B1)	View Height (B2)	Bottom Border (B3)	Top Black Border (B4)
STT92UHD5-E12	2337	2550	1950	2310	2030	2400	1653	1503	1140	58	305
STT106UHD5-E12	2692	2865	2265	2625	2345	2715	1833	1683	1320	58	305
STT120UHD5-E12	3048	3175	2375	2935	2655	3025	2008	1858	1495	58	305
STT135UHD5-E6	3429	3510	2510	3270	2990	3360	2038	1888	1680	58	150

Unit: inches											
Model Number	Nominal Diagonal	Case Length (A)	Bracket Distance (A1)	Screen Width (A2)	View Width (A3)	Weight Bar (A4)	Overall Height (B)	Screen Height (B1)	View Height (B2)	Bottom Border (B3)	Top Black Border (B4)
STT92UHD5-E12	92.0	100.4	76.8	90.9	79.9	94.5	65.1	59.2	44.9	2.3	12.0
STT106UHD5-E12	106.0	112.8	89.2	103.3	92.3	106.9	72.2	66.3	52.0	2.3	12.0
STT120UHD5-E12	120.0	125.0	93.5	115.6	104.5	119.1	79.1	73.1	58.9	2.3	12.0
STT135UHD5-E6	135.0	138.2	98.8	128.7	117.7	132.3	80.2	74.3	66.1	2.3	5.9

The listed measurements are for general reference only. Please contact Elite Screens to verify product design and dimensions before attempting to integrate its products with any structural or furniture modification. Although a manufacturer may offer product advice, it may be taken or disregarded at the integrator's discretion. Elite Screens will not be held responsible or be otherwise liable for faulty installations.

Note: Data error may be $\pm 1''$



Unit: mm