



# **Kestrel Stage Series (NTC)**

Electric Floor Rising Projection Screen without Travel Case

User's Guide

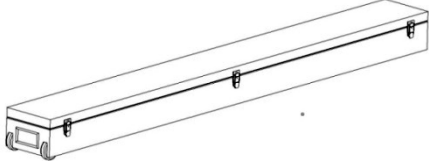
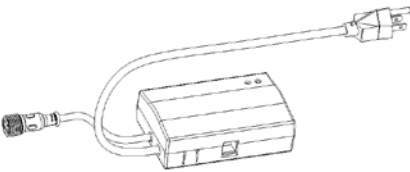


## Product description

The Kestrel Stage Series is a portable electric floor rising front projection screen that is ideal for event applications used in Churches, hotels, schools, or other like venues.

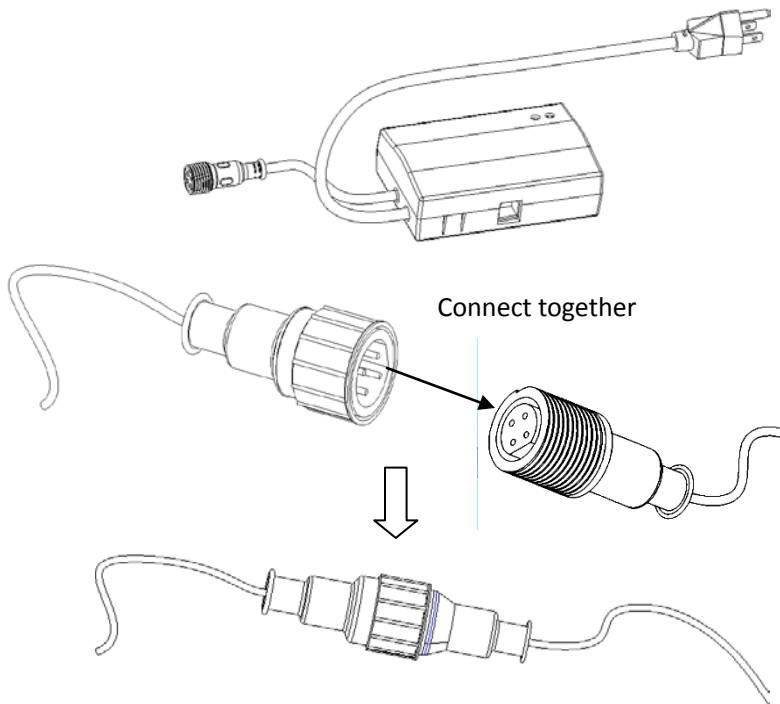
## Product parts and hardware

*Upon receiving your screen, please make sure all parts listed below are included. If anything is missing from the package, please contact ElitePro AV right away.*


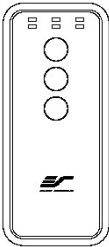



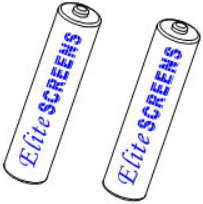
1. Kestrel Stage Motorized screen w/ travel case (main) X 1	2. Remote Control Wall Box X 1
	

## Product Assembly and Operation

1. Connect the power cable and control box (item2)



## Controls and Accessories for Kestrel Stage Series

A. IR Remote	B. RF Remote	C. 3-way Wall Switch
		
D. 5-12 volt trigger cable	E. IR extended "eye" receiver	F. AAA batteries
 <p data-bbox="318 911 457 928">Red 12V    Green 0V</p>		

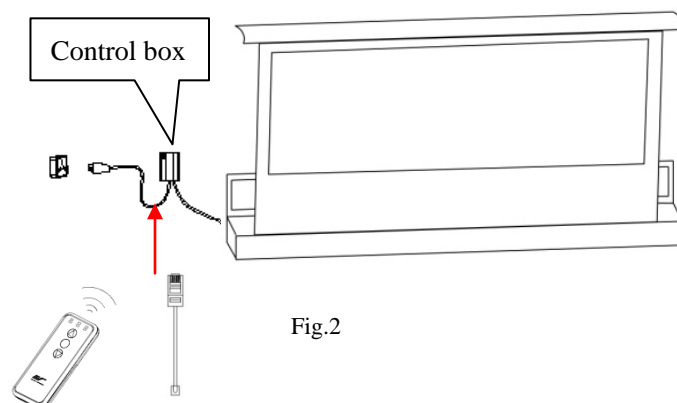
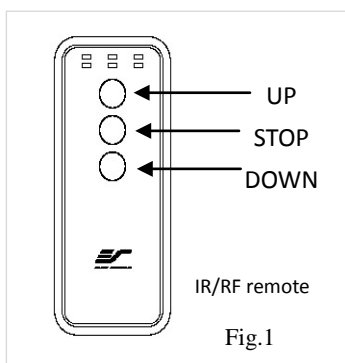
### Screen Control System for Kestrel Stage Series

**Electric Current information:** Depending upon region, your EliteProAV™ screen will operate on 110 or 220 voltage.

1. Plug the screen's power cord into a power outlet.
2. Once the screen has power, you'll be able to control it using any of the 4 methods described below.

#### 4 Ways to Control your Kestrel Stage Series

- 1) **IR remote control (Item A) and IR "Eye" Receiver (Item E)** : The IR remote control (fig.1) requires line-of-sight to the IR sensor. The IR "eye" receiver must be connected to the Remote Control Wall box in order for the IR remote control to function. The IR "Eye" Receiver plugs directly into the screen's RJ-45 input (fig.2).



- 2) **RF Remote Control (Item B)**: The radio waves eliminate the need for a direct line of sight with a range of 100 feet.
- 3) **3-Way Wall Switch (Item C, Fig 3)**: The 3-way wall switch manually controls the screens up/stop/down button by connecting directly into the screen's RJ-45 port.

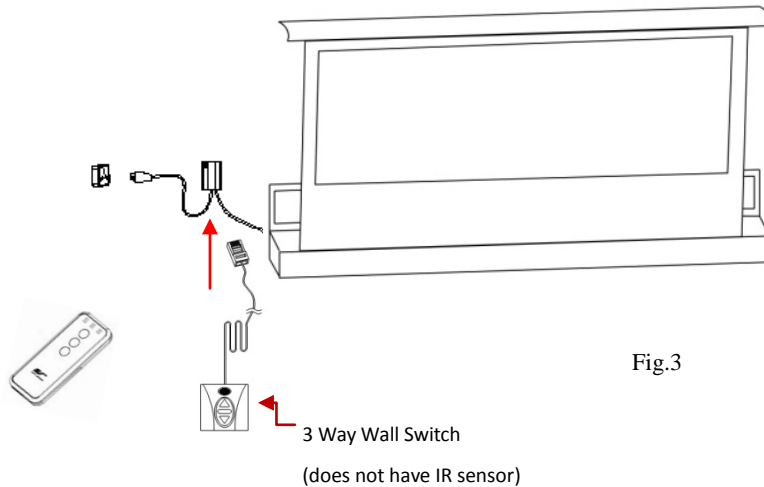


Fig.3

- 4) **5-12 volt trigger (Item D, Fig 4)**: The built-in 5-12V trigger input allows your screen to synchronize its drop & rise with the projector's power cycle. The screen deploys when the projector powers up and will retract when the projector powers down. The 5-12 volt RJ45 cable connects to your projector's trigger output via a separate cable that may or may not be provided by the manufacturer of the projector. The trigger feature will not work without an output cable from the projector, but it can be tested by connecting the Red (+) and Green (-) cable to a 9-volt battery.

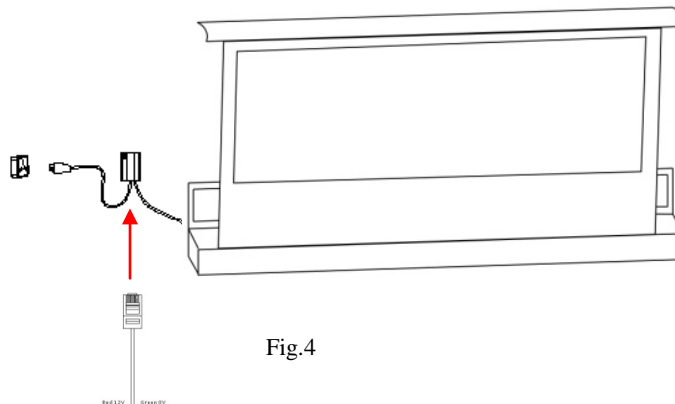
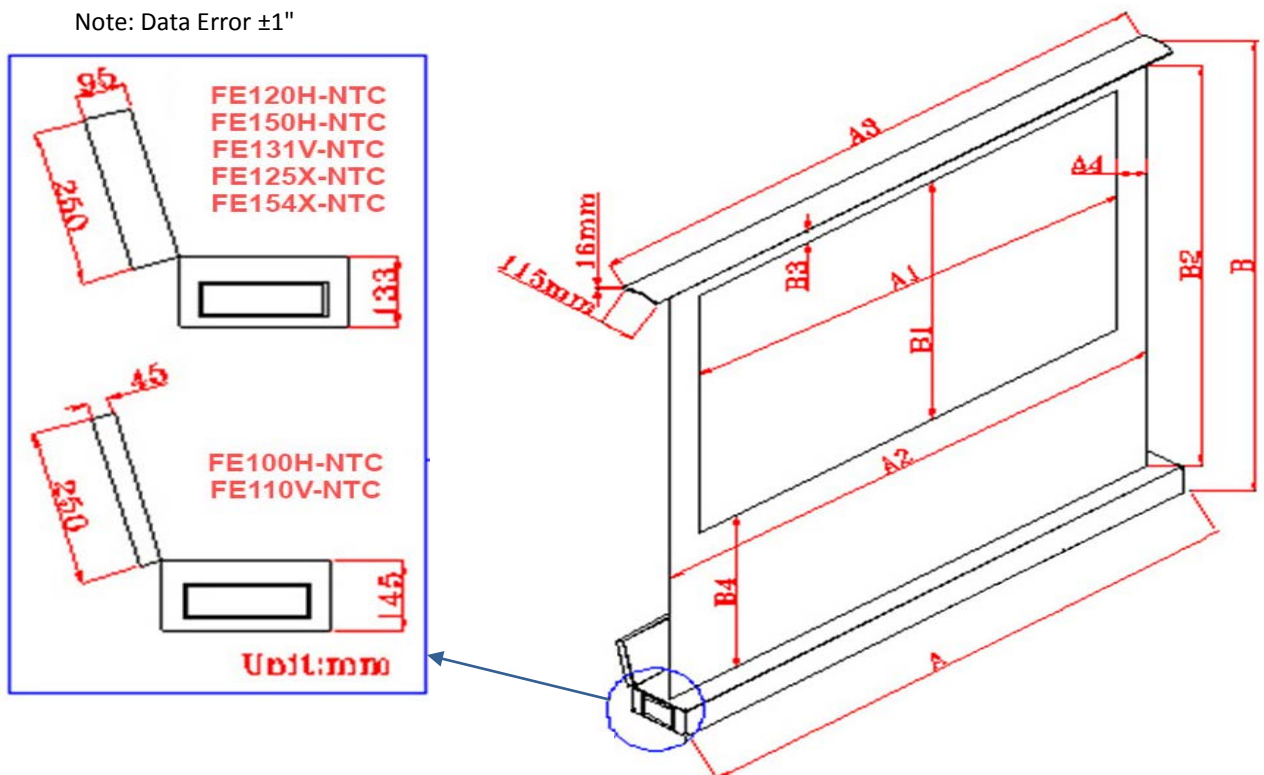


Fig.4

## Dimensions Table

Model Number	Diag. Size	Aspect Ratio	A	A1	A2	A3	A4	B	B1	B2	B3	B4
Unit: Inches												
FE100H-NTC	100"	16:9	94.7	87.2	91.1	92.5	2.0	91.3	49.1	86.9	2.4	19.3
FE120H-NTC	120"	16:9	113.6	104.6	108.5	110.5	2.0	90.5	58.9	85.5	2.4	4.7
FE150H-NTC	150"	16:9	94.9	131.0	91.1	92.0	2.0	86.6	73.0	80.3	2.4	28.9
FE110V-NTC	110"	4:3	113.5	87.2	108.5	111.2	2.0	86.6	65.3	80.7	2.4	19.5
FE131V-NTC	131"	4:3	139.8	104.6	134.7	137.2	2.0	101.0	78.5	95.1	2.4	19.2
FE125X-NTC	125"	16:10	115.0	106.0	109.9	111.2	2.0	92.7	66.0	87.8	2.4	19.4
FE154X-NTC	154"	16:10	139.8	131.0	134.5	137.2	2.0	103.1	82.0	98.8	2.4	14.8
Unit: mm												
FE100H-NTC	100"	16:9	2405	2215	2314	2350	50	2319	1247	2207	60	490
FE120H-NTC	120"	16:9	2885	2657	2756	2807	50	2299	1496	2172	60	119
FE150H-NTC	150"	16:9	2410	3327	2314	2337	50	2200	1854	2040	60	734
FE110V-NTC	110"	4:3	2883	2215	2756	2824	50	2200	1659	2050	60	495
FE131V-NTC	131"	4:3	3550	2657	3421	3485	50	2565	1994	2415	60	487
FE125X-NTC	125"	16:10	2921	2692	2791	2824	50	2355	1676	2230	60	493
FE154X-NTC	154"	16:10	3550	3327	3417	3485	50	2620	2083	2510	60	377

Note: Data Error  $\pm 1$ "



For local EliteProAV contact or Technical Support,

please visit [www.eliteproav.com](http://www.eliteproav.com)