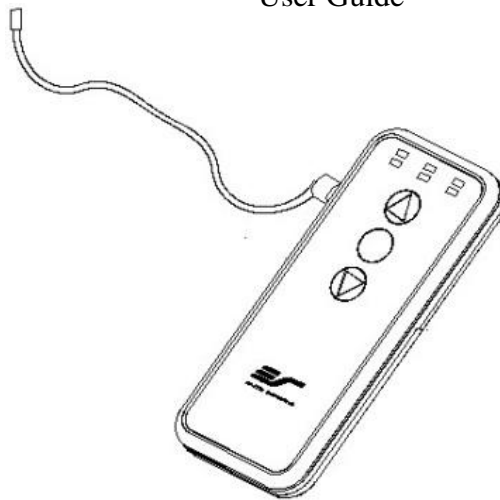




**Wireless 5/12 Volt Projector Trigger for
Electric Wall/Ceiling Projection Screens (Roll Down/Up)
Part#ZSP-TR01-3.0**

User Guide



SPECIFICATIONS

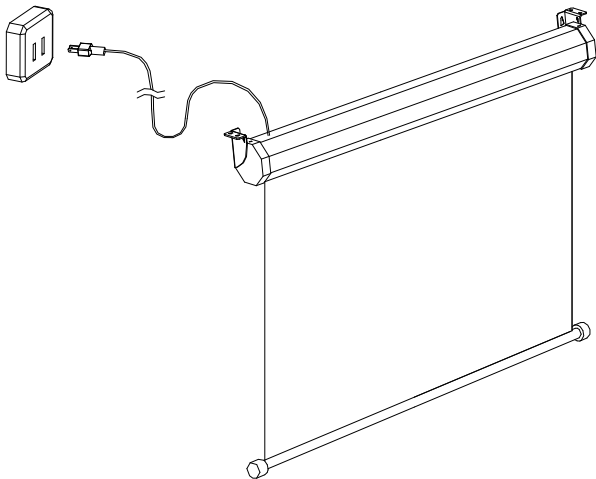
1. **Size and Weight:** W x H x D: 4.8"x2"x0.7", Weight: 0.11LBS
2. **Max. Control Distance:** 80 feet (25M) Control Type: ASK / FSK
3. **Projector Output Support Trigger Voltage:** 3-15V
4. **RF Spec. Frequency:** 433Mhz, Power: Below 2milli-watts
5. **Directions for user:**

Watch our set up instructions video online at www.elitescreens.com/video/zsp-tr01-02-setup

Or Scan the QR Code:



- a. Connect the wireless RF trigger controller and the projector as shown in Fig. 3.
- b. Use the wireless RF trigger controller to synchronize the screen drop/rise with the projection's power cycle via remote control according to the version number on your screen.



Back of projector is shown for reference only. 12-volt trigger output port will vary.



Fig. 3



ZSP-TR01 Synchronization Instructions

How to synchronize your 5-12V wireless trigger according to the version number?

Version 3.0

Step1: Make sure to unplug your screen from the power outlet

Step2: Hold the **UP** button on your 5-12V wireless trigger

Step3: While holding the **UP** button, plug the screen back to the power outlet

Step 4: Wait 5 seconds and then release the **UP** button

Step 5: Your 5-12V wireless trigger should now be activated with your screen and ready to be used and able to control your screen with your projector's power cycle.

Repeat the steps again if not successful.

(Please be aware, the projector on/off cycle may take longer to fully activate. It usually takes around 20-30 seconds for full off and on cycle each time)

Note: Once your RF remote has been activated, the synchronization will be saved even if the power is cut off.

Troubleshooting steps for the Elite Screens ZSP-TR01 Wireless 5-12V Trigger Remote

Make sure the Wireless 5-12v trigger is properly synced to your Elite Electric Screen before proceeding to the troubleshooting steps.

1. Before connection to the projector, press the Up and Down buttons on the wireless 12V remote to confirm Up/Down screen control.
2. Check that the positive (+) and negative (-) wires match the pins in the 3.5mm jack.

(Reversing the polarity will work in some cases)
3. Use a 9V battery to power the screen via the RJ-45 port with the provided 12-volt trigger (green=ground, red=positive), and check if it will operate the screen Up/Down. If the 9V battery operates the screen, this indicates that the projector is not sending a signal to the 5-12V wireless remote.
4. If these provided steps do not resolve the issue, then the wireless 12V trigger remote must be replaced.