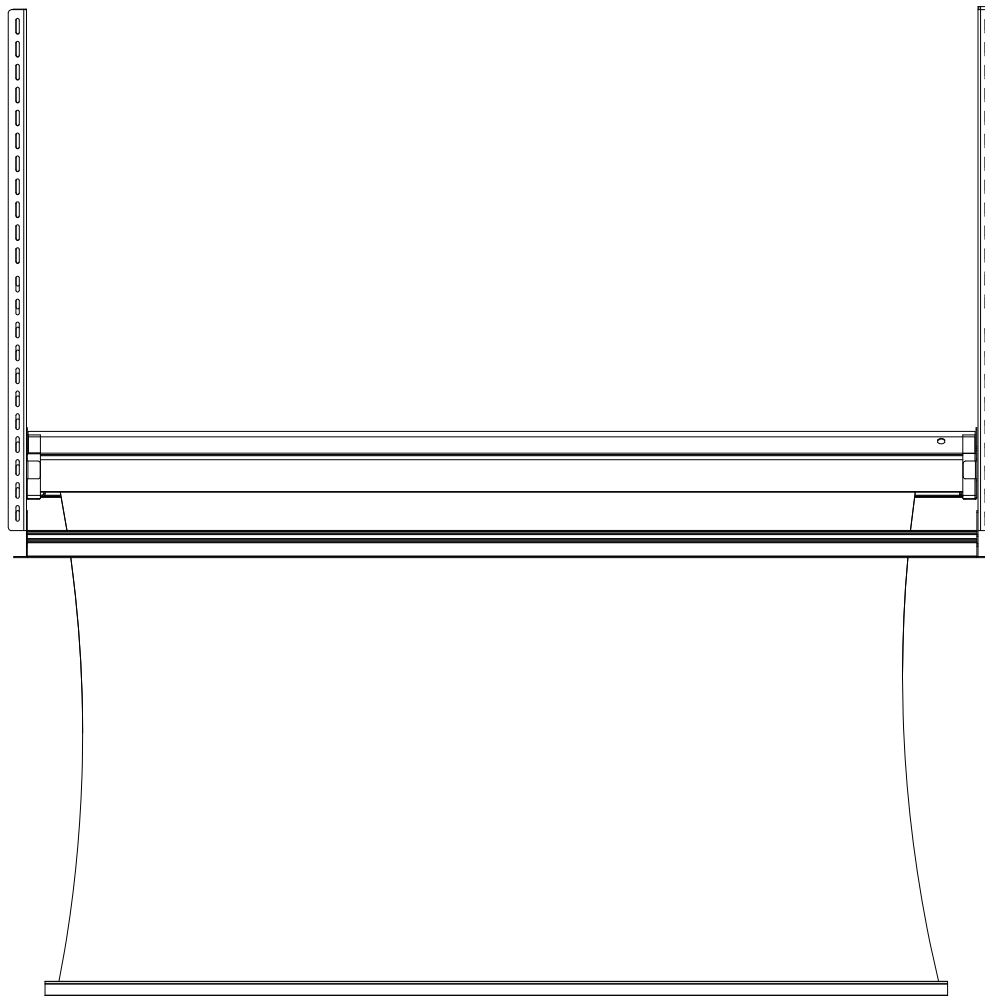




Ceiling Trim Kit for CineTension2 Series

User's Guide





Notice:

Please read this notice as it pertains important information about your ceiling trim kit.

The **right side ceiling trim kit bracket** mold on the bottom does not have a screw hole to line up with the CineTension 2 series **right side end cap**, however the side screw holes do line up and as long as the screws are safely secured (**see Fig. 3**) there should not be any safety issues or problems installing your screen to the ceiling trim kit.

Right side ceiling trim kit bracket

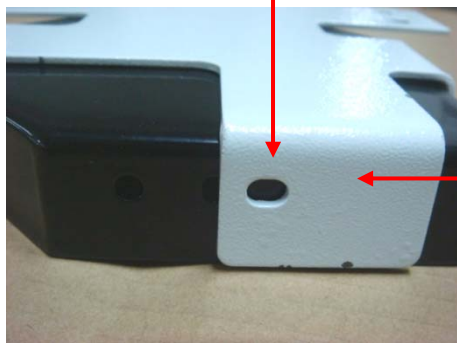


Fig. 1

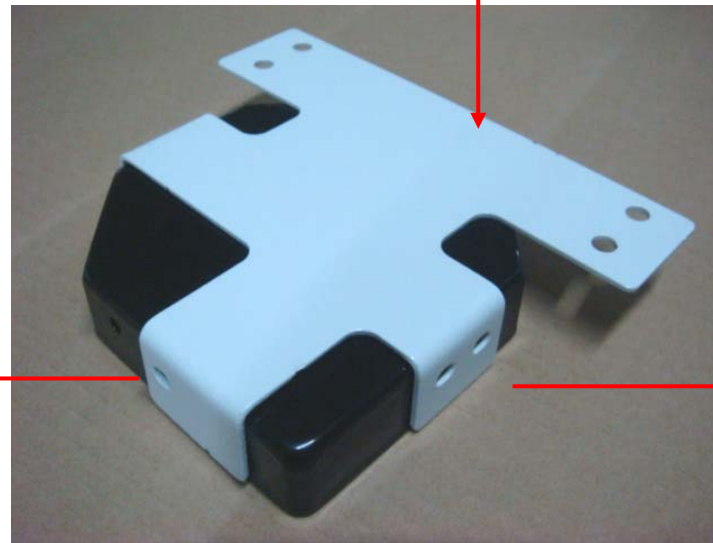


Fig. 2

Screw holes line up and should be sufficient to hold up screen in trim kit.

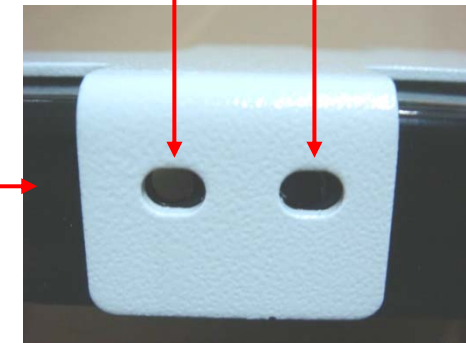


Fig. 3

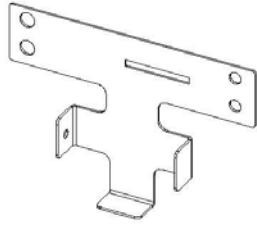
For questions regarding this NOTICE, please contact us at techsupport@elitescreens.com or 562-483-8198.

Parts List

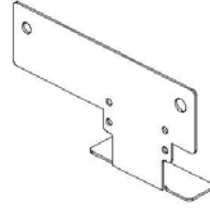
Please make sure all parts listed below are included before assembly.



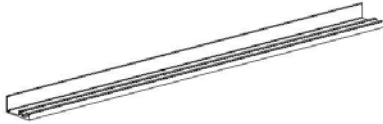
1. Suspension Bar x 4 pcs



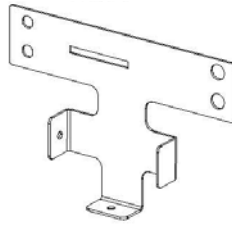
2. Left Bracket x 1 pc



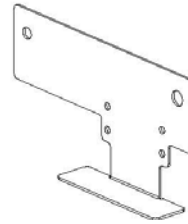
3. Left Plank x 1 pc



4. Ceiling Panel x 4 pcs



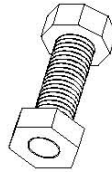
5. Right Bracket x 1 pc



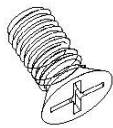
6. Right Plank x 1 pc



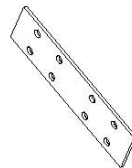
7. Self-Drilling Screws x 8 pcs



8. Screw + Nut x 12 pcs

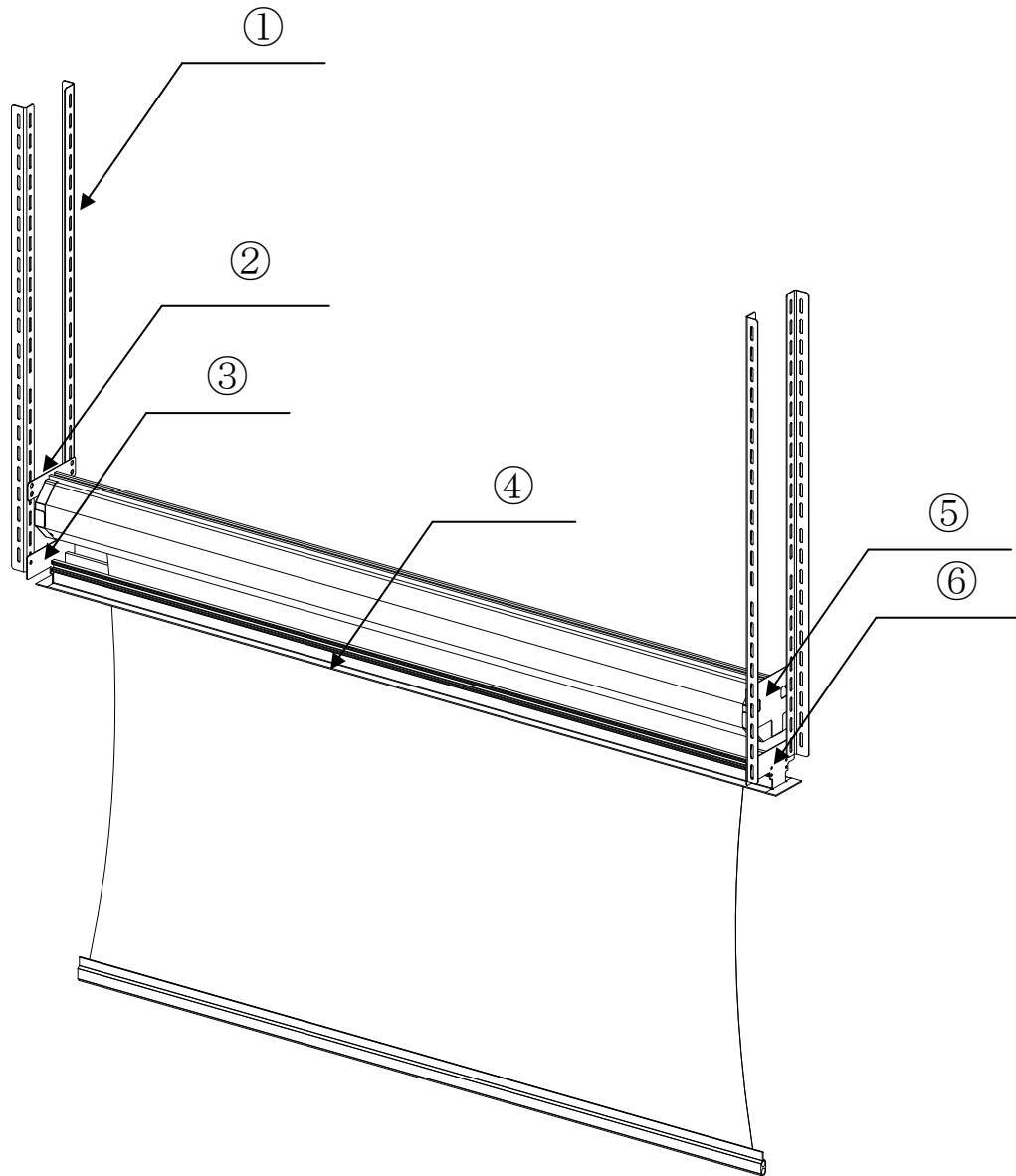


9. M5 Screws x 16 pcs

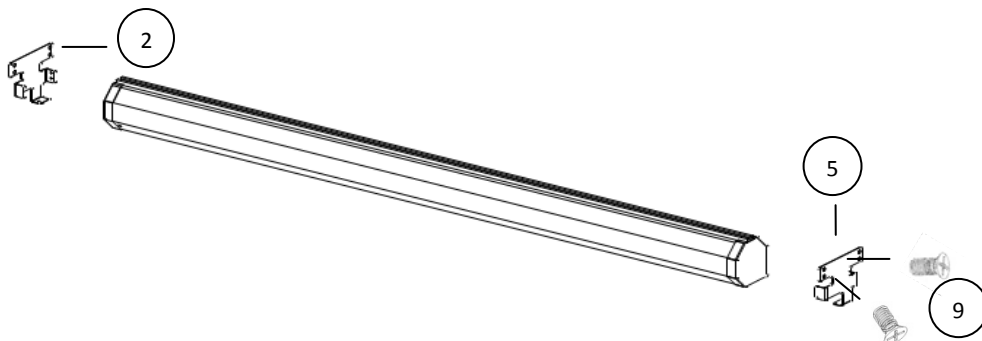


10. Connecting Sheet x 2 pcs

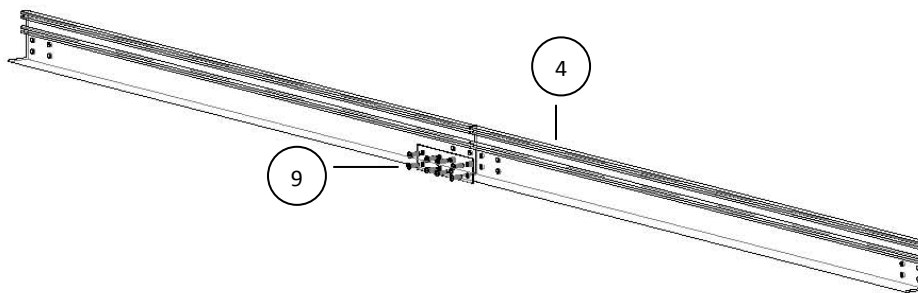
ASSEMBLY



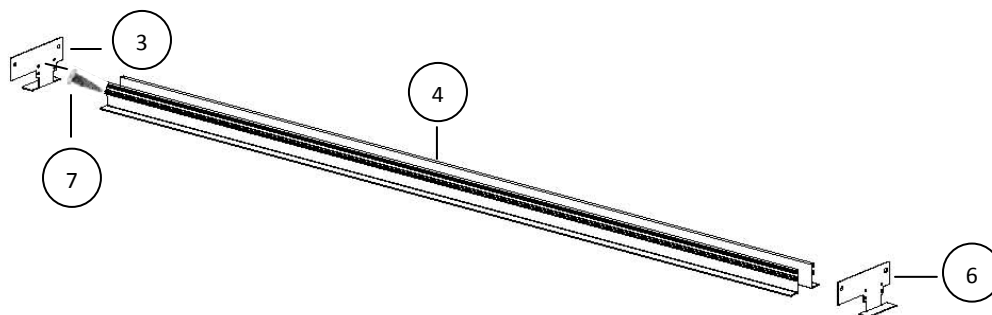
Step 1: Install the screen's left and right side end caps into the **LEFT (2)** and **RIGHT (5) BRACKETS** and secure them with the **M5 screws (9)** as shown in the diagram below.



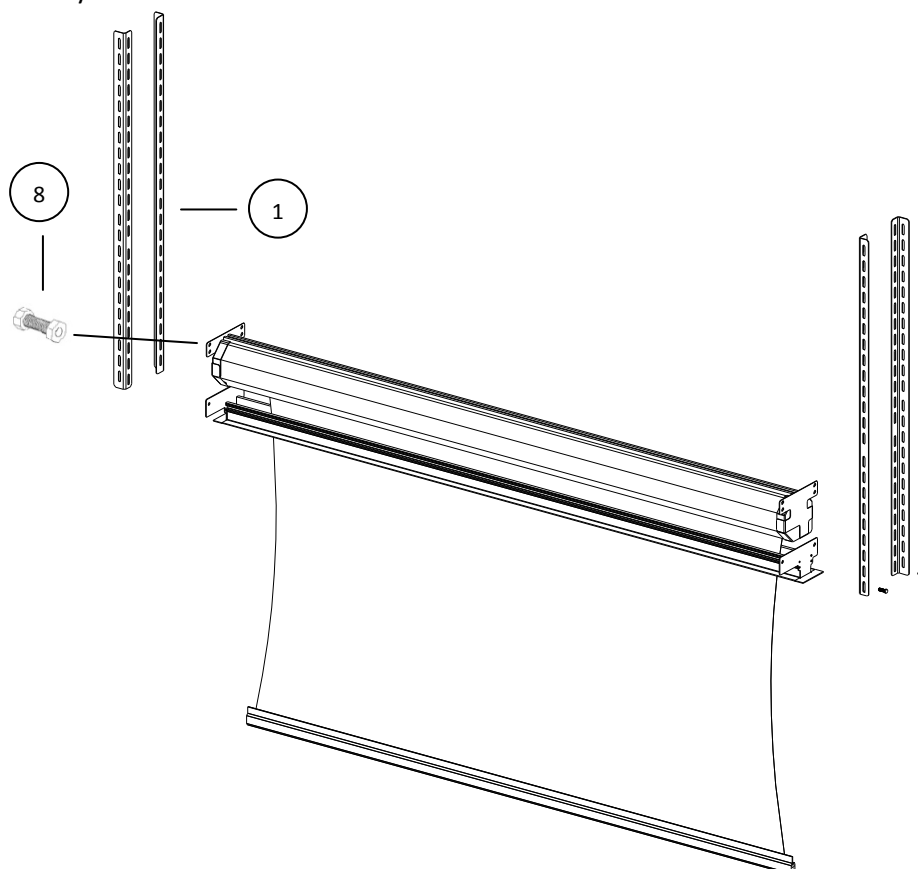
Step 2: Join the four **CEILING PANELS** (4) as show below and connect them with together with the **CONNECTION SHEET** (10) using the **M5 screws** (9).



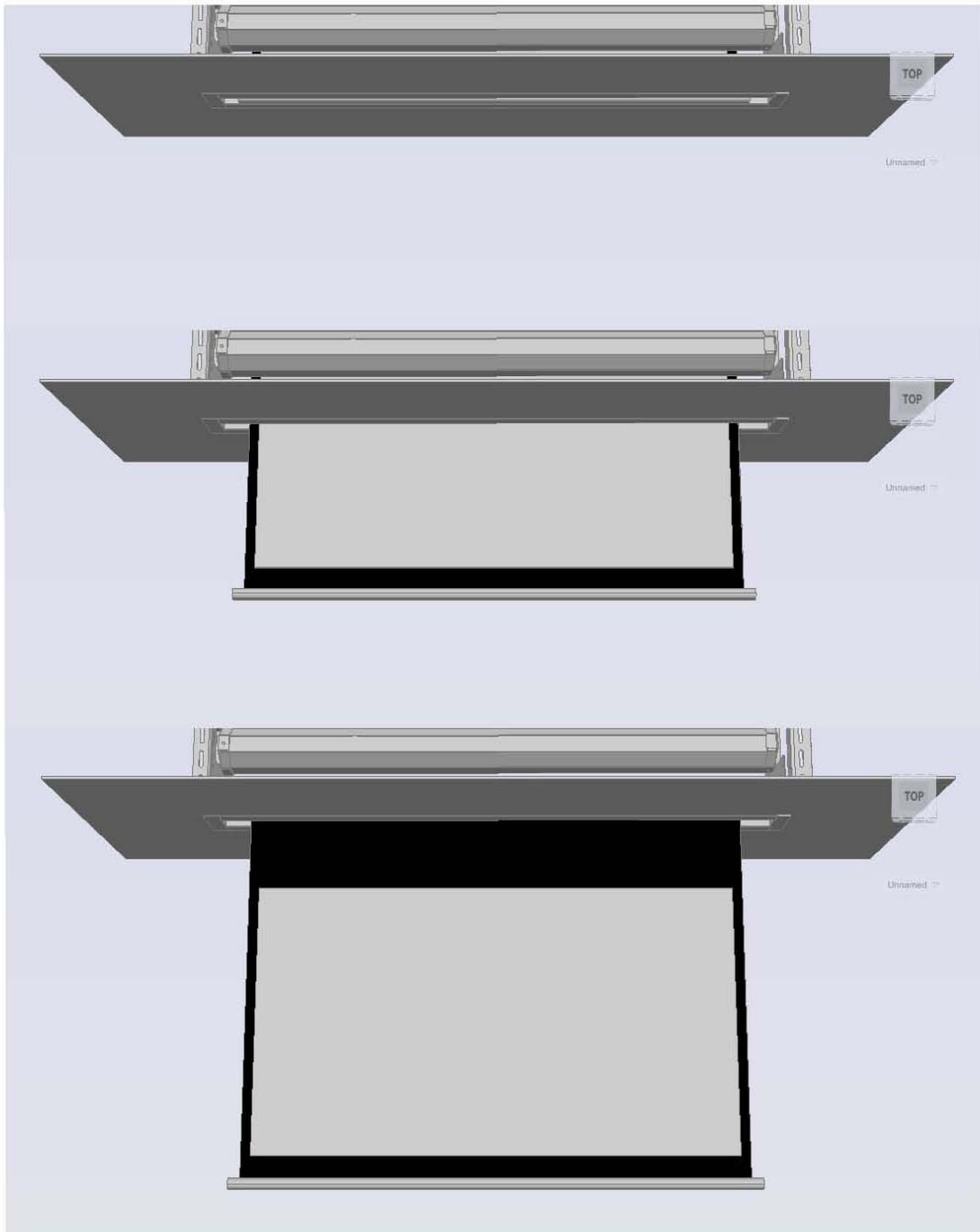
Step 3: Attach the **LEFT** (3) and **RIGHT** (6) **PLANK** on each end of the **CEILING PANEL** (4) with the **SELF-DRILLING SCREWS** (7) as shown below.



Step 4: Lastly, attach the **SUPPORT BARS** (1) to the **LEFT** and **RIGHT BRACKETS** and **PLANKS** using the **SCREW + NUT** (8) to finish the assembly.



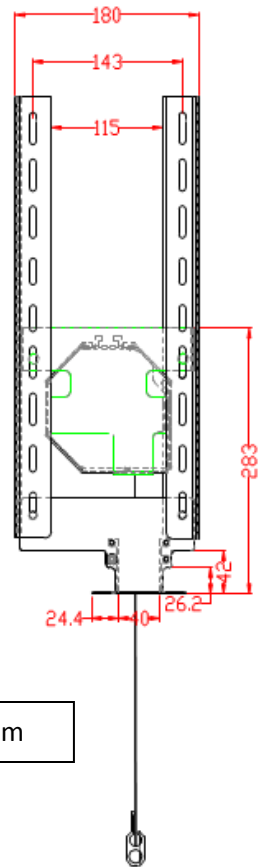
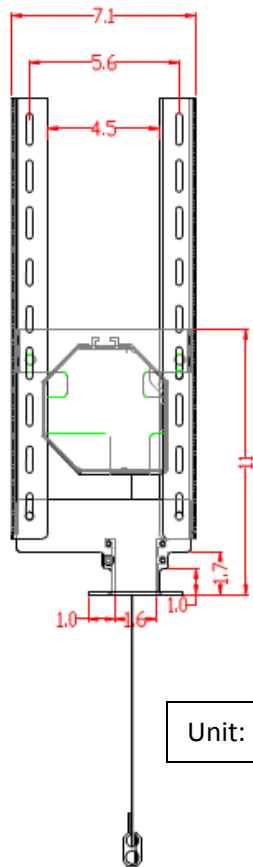
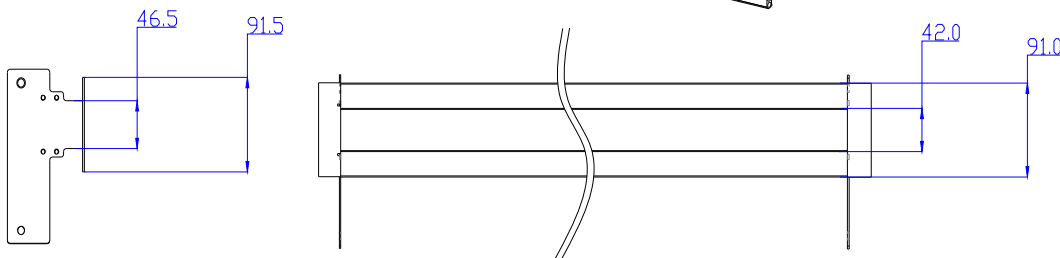
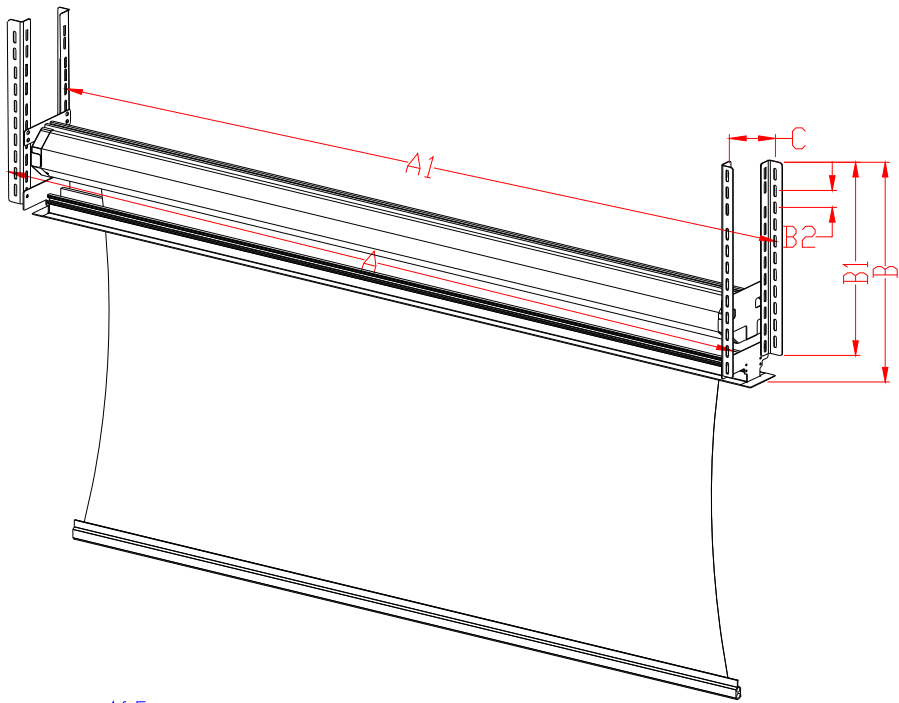
Example of Ceiling Trim Kit installed



ZCTE Ceiling Trim Kit Dimensions Table

Unit: mm						
Models	Suspension Bars Distance Horizontally (A)	Suspension Bar Hole Distance (A1)	Height from Ceiling Panel to Suspension Bar (B)	Suspension Bar Height (B1)	Suspension Bar Hole Distance (B2)	Distance Between Suspension Bars Vertically (C)
ZCTE84V	2103	2079	960	900	50	177
ZCTE100V	2507	2483	960	900	50	177
ZCTE120V	2949	2925	960	900	50	177
ZCTE135V	3254	3230	960	900	50	177
ZCTE84H	2256	2232	960	900	50	177
ZCTE92H	2507	2483	960	900	50	177
ZCTE100H	2684	2660	960	900	50	177
ZCTE106H	2837	2813	960	900	50	177
ZCTE120H	3176	3152	960	900	50	177
ZCTE135H	3508	3484	960	900	50	177

Unit: Inches						
Models	Suspension Bars Distance Horizontally (A)	Suspension Bar Hole Distance (A1)	Height from Ceiling Panel to Suspension Bar (B)	Suspension Bar Height (B1)	Suspension Bar Hole Distance (B2)	Distance Between Suspension Bars Vertically (C)
ZCTE84V	82.8	81.9	37.8	35.4	2.0	7.0
ZCTE100V	98.7	97.8	37.8	35.4	2.0	7.0
ZCTE120V	116.1	115.2	37.8	35.4	2.0	7.0
ZCTE135V	128.1	127.2	37.8	35.4	2.0	7.0
ZCTE84H	88.8	87.9	37.8	35.4	2.0	7.0
ZCTE92H	98.7	97.8	37.8	35.4	2.0	7.0
ZCTE100H	105.7	104.7	37.8	35.4	2.0	7.0
ZCTE106H	111.7	110.7	37.8	35.4	2.0	7.0
ZCTE120H	125.0	124.1	37.8	35.4	2.0	7.0
ZCTE135H	138.1	137.2	37.8	35.4	2.0	7.0



Register your warranty at www.elitescreens.com/register.html

US & Canada Tech Support & Warranty Claim

Please contact us at service@elitescreens.com or call +1 877-511-1211 #3 Service

Europe Tech Support & Warranty Claim

Please contact us at service@elitescreens.eu or call +49-(0) 40-30392958

Asia or China Tech Support & Warranty Claim

Please contact us at service@elitescreens.com.cn or call +86-(0) 755-8461-7989

Taiwan Tech Support & Warranty Claim

Please contact us at service@elitescreens.com.tw or call +886-(02)2747-8979

America: Elite Screens Inc

16410 Manning Way, Cerritos, CA 90703 USA

Tel: 877-5111211 Fax: 562-483-8498

info@elitescreens.com

www.elitescreens.com

Europe: Elite Screens Europe GmbH

Lübecker Straße, 122087 Hamburg, Germany

Tel: +49-40-30392494 Fax: +49-40-49219200

info@elitescreens.eu www.elitescreens.eu

Asia: Elite Screens China Ltd.

Longxi Duimianling Industry Zone Longcheng

Longgang District, ShenZhen GuangDong, China

Tel: +86-(0)755-8461-7989 Fax: +86-(0)755-8461-7669

info@elitescreens.com.cn

www.elitescreens.com.cn

Taiwan: Elite Screens Taiwan Corp.

1F. No. 38 Alley 22 Lane 66 Sec. 5 Nanjing E. Rd.

Songshan District. Taipei City 105, Taiwan

Tel: +886-(02)2747-8979 Fax: +886-(02)2747-8978

info@elitescreens.com.tw

www.elitescreens.com.tw

Email contacts:

Latin America Contact:

erik.garcia@elitescreens.com

East Asia Contact:

info.ea@elitescreens.com

India Contact:

info.india@elitescreens.com

Japan Contact:

info.japan@elitescreens.com