

# ezCinema Plus Series

Portable Floor Pull-Up Screen

USER'S GUIDE



Rev062510-JA

[www.elitescreens.com](http://www.elitescreens.com)

[info@elitescreens.com](mailto:info@elitescreens.com)

## Precautions:



Warning! Screen damage can result from operational errors if the enclosed precautions are not followed.



In accordance with practicing home fire safety and avoiding screen damage, do not place the screen near or beside a fireplace or high temperature objects such as a gas stove, BBQ or heater.



Place the screen beyond the reach of children.

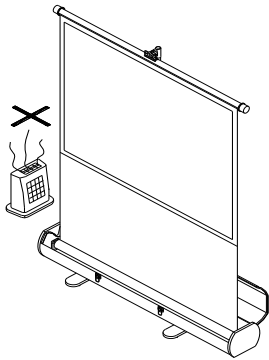


Fig. 1

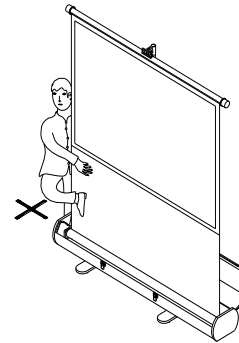
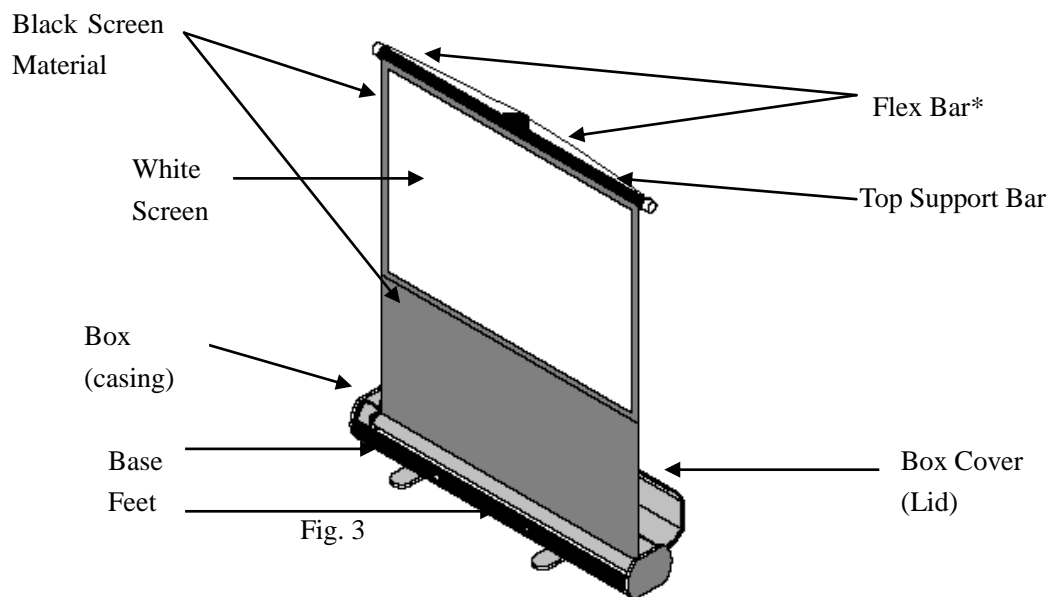


Fig. 2

## Parts Identification



*\*Note: The Flex Bar is a feature designed to evenly distribute the tension of the screen out to the sides. The Flex Bar is designed to “bow” out from the Top Support Bar. It may bow out a few inches depending on the size of the screen. (Fig.3)*

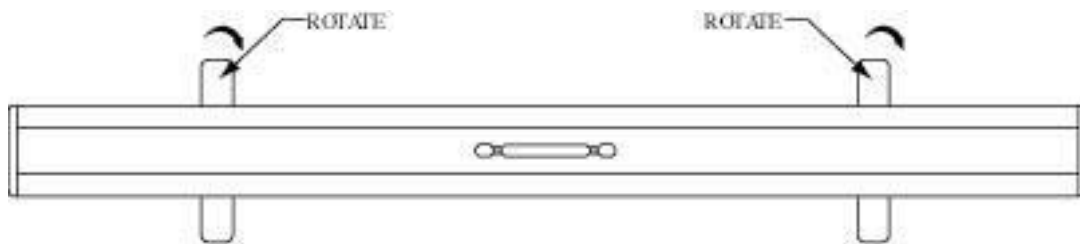
## Setting up the Screen

### Installation

The screen should be installed in an area free of very strong wind and away from any fire activity such as a heater, BBQ grill or fireworks display.

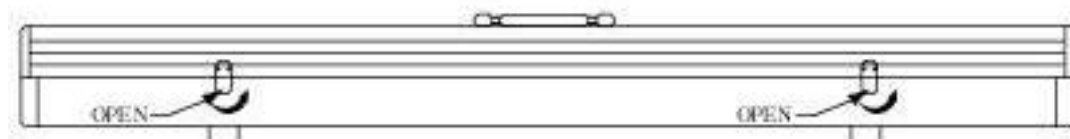
#### 1. Extend base feet:

Locate the base feet on the bottom of the box at each end and rotate them until they form right angles.



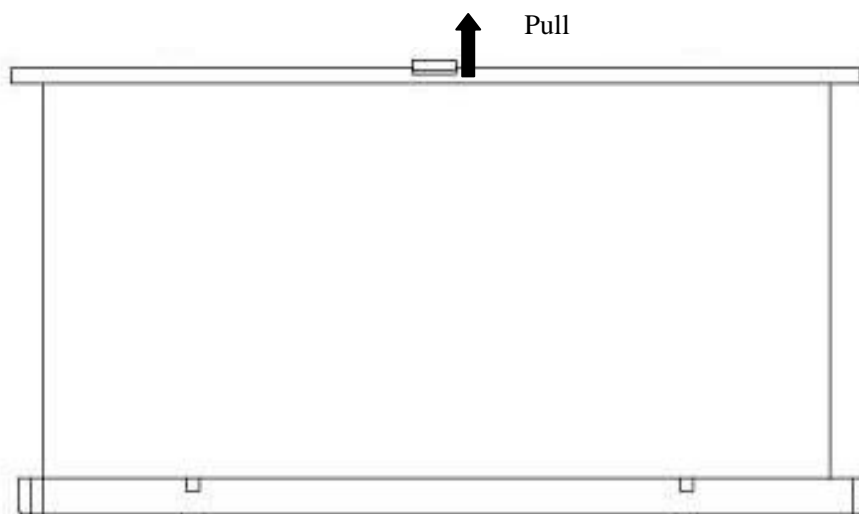
#### 2. Open the box cover:

Unlatch the buckles at both ends of the box and open the box cover.



#### 3. Pulling up the screen:

Carefully lift the screen by its handle and stop at the desired height position. The screen's "scissor back" spring configuration will support it.

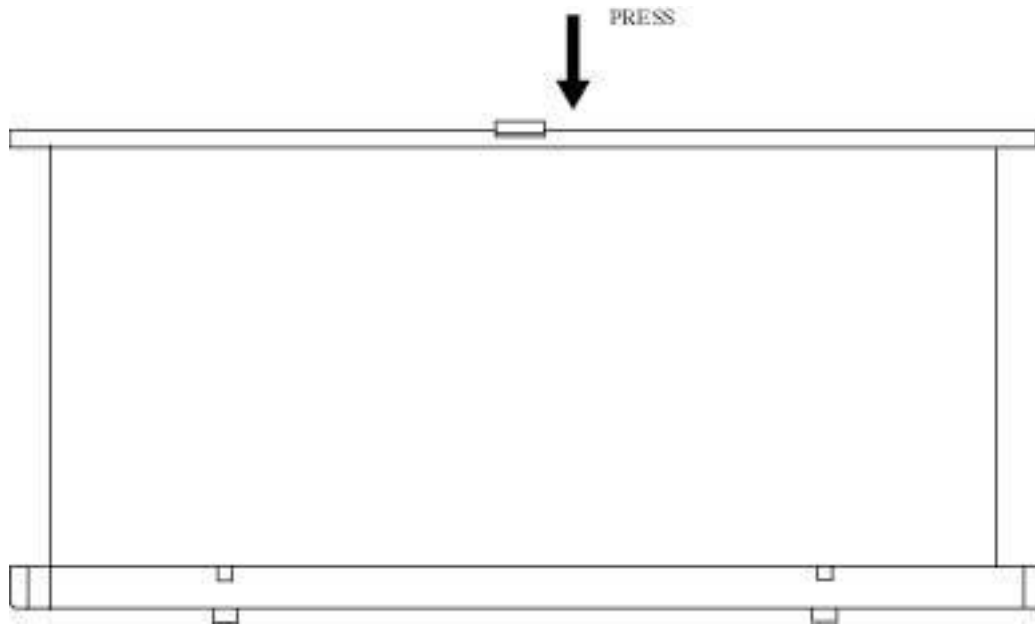


*Note: The screen will only stop shortly after the bottom black rise has been exposed.*

## Putting screen away

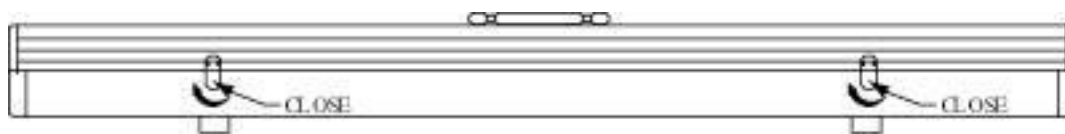
### 1. Retract the screen into case:

Press the screen's handle slowly in a downward motion and allow the screen to retract back gently into the housing.



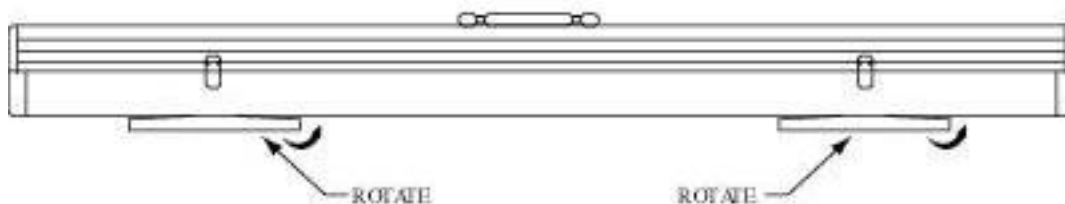
### 2. Closing it up:

Snap the buckles into place at both ends and verify that the screen's box is closed securely.



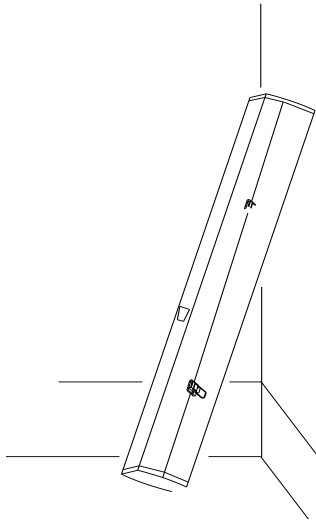
### 3. Draw the base feet back:

Slightly lift one end of the box at a time and rotate the two feet on the bottom of the box until they are in parallel alignment with the box.



#### **4. Storing the screen:**

The recommended place for storage would be a corner spot or in a closet, but the ultimate choice is up to you.



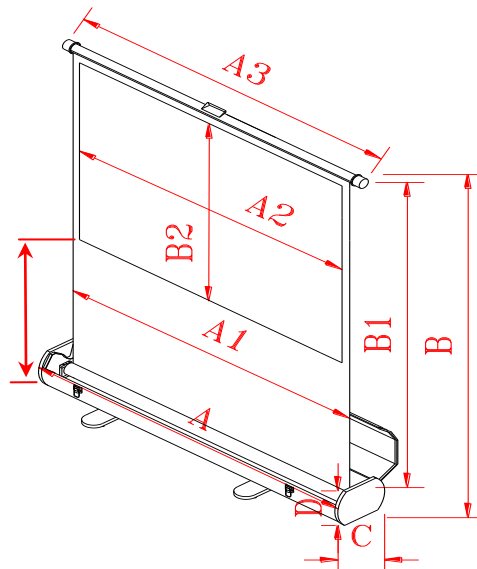
**The following points should be noted to assure the sound performance of the screen.**

1. Never use your hand to touch the screen surface.
2. Never scabble on the screen.
3. Don't touch the screen with hard or sharp objects.
4. Please use clean cotton cloth or soft dust brush to remove dust particles from the screen.

## ezCinema Plus Series Dimensions Table

Unit: mm												
Model	Diagonal Size/Aspect Ratio	Case Length (A)	Screen Width (A1)	View Width (A2)	Upper Scroll Bar Length (A3)	Overall Height (B)	Screen Height (B1)	View Height (B2)	B3	Case Height (D)	Case Width (C)	N.W. (KGS)
F60XWV1	60"(4:3)	1410.0	1269.0	1219.0	1380.0	2028.3	1892.3	914.4	890.0	95.0	118.0	7.9
F84XWV1	84"(4:3)	1891.0	1757.0	1707.0	1861.0	2102.0	1966.0	1280.2	670.0	95.0	118.0	9.6
F100XWV1	100"(4:3)	2224.0	2082.0	2032.0	2194.0	2447.4	2311.4	1524.0	492.0	95.0	118.0	10.8
F74XWH1	74"(16:9)	1829.0	1688.0	1638.0	1799.0	1969.9	1833.9	919.5	924.0	95.0	118.0	9.1
F84XWH1	84"(16:9)	2041.0	1910.0	1860.0	2011.0	2071.5	1935.5	995.7	873.0	95.0	118.0	9.7
F100XWH1	100"(16:9)	2399.0	2264.0	2214.0	2369.0	2091.8	1955.8	1244.6	1076.0	95.0	118.0	11.0
F95XWS1	95"(1:1)	1891.0	1756.0	1706.0	1861.0	2503.3	2367.3	1706.9	619.0	95.0	118.0	9.8
Unit: Inch												
Model	Diagonal Size/Aspect Ratio	Case Length (A)	Screen Width (A1)	View Width (A2)	Upper Scroll Bar Length (A3)	Overall Height (B)	Screen Height (B1)	View Height (B2)	B3	Case Height (D)	Case Width (C)	N.W. (LBS)
F60XWV1	60"(4:3)	55.5	50.0	48.0	54.3	79.9	74.5	36.0	35.0	3.7	4.6	17.5
F84XWV1	84"(4:3)	74.4	69.2	67.2	73.3	82.8	77.4	50.4	26.4	3.7	4.6	21.0
F100XWV1	100"(4:3)	87.6	82.0	80.0	86.4	96.4	91.0	60.0	19.4	3.7	4.6	23.7
F74XWH1	74"(16:9)	72.0	66.5	64.5	70.8	77.6	72.2	36.2	36.4	3.7	4.6	20.1
F84XWH1	84"(16:9)	80.4	75.2	73.2	79.2	81.6	76.2	39.2	34.4	3.7	4.6	21.3
F100XWH1	100"(16:9)	94.4	89.1	87.2	93.3	82.4	77.0	49.0	42.4	3.7	4.6	24.2
F95XWS1	95"(1:1)	74.4	69.1	67.2	73.3	98.6	93.2	67.2	24.4	3.7	4.6	21.6

\*Measurement dimensions are intended as a reference only and subject to change without notice. Note: Data Error may be  $\pm 1"$



# Limited Warranty Policy

**What is Covered:** Elite Screens, Inc. ("Elite Screens") warrants its products to the first retail purchaser, if purchased new and operated in the United States or Canada, to be free from defects in workmanship and materials (except as provided below) for a period of (2) years from the date of original purchase, and (3) years for products purchased directly by educational, non-profit, religious or government organizations.

Refurbished products purchased directly from Elite Screens are warranted for a period of (90) days from the date of original purchase.

For warranty service, you must provide proof of purchase and the serial number of your product.

**How to Get Service:** Should this product prove defective during the warranty period, please visit [www.elitescreens.com/rmaform](http://www.elitescreens.com/rmaform) and submit a warranty claim form. You must provide your proof of purchase, the serial number of your product, and describe the problem you are experiencing with your screen. An Elite Screens representative will determine whether the product requires service, and provide you with further instructions on how to proceed with your warranty claim.

**Missing Parts:** If your product is missing parts, Elite Screens will, at its option, replace the part without any charge, including shipping and handling, provided that that you report your claim within (7) days of receipt. If you report your claim after (7) days of receipt, but within (30) days of receipt, Elite Screens will, at its option, replace the part without charge, but you will bear the cost of shipping and handling. If you report your claim after (30) days of receipt, you will bear all costs to replace the part.

**Returns and Exchanges:** If a return is needed, Elite Screens will issue you a Return Merchandise Authorization ("RMA") Number. This number is valid for (45) days from the date of issue, and is required to process any returns. A returned item sent to Elite Screens without a visible or valid RMA Number is subject to refusal by Elite Screens. You are responsible for the cost of returning the item and ensuring the product is properly packaged to prevent damage in transit.

Once a returned product is received, Elite Screens will, at its option, replace the product or part without charge, including ground service freight. The replacement product or part may be new or refurbished to the Elite Screens standard of quality, and is subject to stock availability. Elite Screens' liability for replacement of the covered product will not exceed the original retail selling price of the covered product. Exchange products and parts assume the remaining warranty period of the original product covered by this limited warranty.

**What is Not Covered:** This warranty is not transferable and does not cover product purchased by another end user. This warranty does not cover incidental damages, such as loss of time, loss of use, or installation costs of defective, repaired or replaced product. This warranty does not cover product that has been damaged or rendered defective as a result of (a) neglect, abuse or misuse; (b) modification of the original product; (c) improper use or installation of products not manufactured by Elite Screens; (d) service provided by anybody other than Elite Screens; (e) abnormal mechanical or environmental conditions; (f) unusual physical or electrical stress -including failure or fluctuation of electrical power, lighting, static electricity, fire, tornadoes, or other natural disasters.

Elite Screens does not warrant against freight damage, concealed or otherwise, unless product is shipped directly from an Elite Screens facility. You must contact the vendor and the delivering carrier to report freight damage within (7) days of receipt. Failure to report freight damages within the carrier's guidelines may result in you bearing all costs.

THIS LIMITED WARRANTY AND REMEDY PROVIDED ABOVE ARE EXCLUSIVE AND IN LIEU OF ALL OTHER WARRANTIES. ELITE SCREENS, INC. DISCLAIMS ALL OTHER WARRANTIES, WHETHER EXPRESS, IMPLIED OR STATUTORY, INCLUDING ANY WARRANTY OF MERCHANTABILITY, ANY WARRANTY OF FITNESS FOR A PARTICULAR PURPOSE AND ANY IMPLIED WARRANTIES ARISING FROM A COURSE OF DEALING OR USAGE OF TRADE. THIS LIMITED WARRANTY GIVES THE END USER SPECIFIC LEGAL RIGHTS, AND THE END USER MAY HAVE OTHER RIGHTS WHICH VARY FROM STATE TO STATE.

EXCEPT AS PROVIDED IN THIS WRITTEN WARRANTY, ELITE SCREENS, INC. SHALL NOT BE LIABLE FOR ANY LOSS, INCONVENIENCE, OR DAMAGE, INCLUDING DIRECT, SPECIAL, INCIDENTAL OR CONSEQUENTIAL DAMAGES, RESULTING FROM THE USE OR INABILITY TO USE THE ELITE SCREENS PRODUCT, OR FOR LOST DATA OR LOST SOFTWARE WHETHER RESULTING FROM BREACH OF WARRANTY OR ANY OTHER LEGAL THEORY. SOME STATES DO NOT ALLOW THE EXCLUSION OR LIMITATION OF INCIDENTAL AND CONSEQUENTIAL DAMAGES, SO THE ABOVE LIMITATION MAY NOT APPLY.

In Canada, warranties include both warranties and conditions. Some jurisdictions do not allow limitations on how long an implied warranty lasts and some jurisdictions do not allow the exclusion or limitation of incidental or consequential damages, so the above limitations and exclusions may not apply to you. This warranty gives you specific legal rights, and you may also have other rights which vary from jurisdiction to jurisdiction.

**International Warranty:** Elite Screens, Inc. does not provide warranty coverage outside of the United States or Canada. For more information on the warranty coverage, terms and conditions in your region, contact your Elite Screens International Distributor directly.