



Electric Motorized Projection Screen  
**VMAX PLUS 4 SERIES**

User's Guide



# Important Safety & Warning Precautions

**Make sure to read this user's guide and follow the procedure below.**

**Caution: The screen's Black Top Drop is already set to its maximum drop distance. There is NO extra Black Top Drop in the roller. Please be aware of this as it will void your warranty with Elite Screens. Unapproved changes or modifications (except for cutting the power cord for hardwire installations) to this unit are prohibited and will void your warranty. For more information, please contact our Technical Support Department at (877) 511-1211 Ext. 604.**

- Please retain this user's guide for future reference.
- To avoid damaging the unit, do not use with any unauthorized accessories not recommended by the manufacturer.
- Handle the unit carefully during transportation to avoid any damages.
- To ensure safe and reliable operation, direct connection to a properly grounded power source is advised.
- The power outlet supplying power to the unit should be close to the unit and easily accessible.
- Do not install the unit on uneven or inclined surfaces.
- Do not put heavy objects on the power cord and position it properly to avoid creating a trip obstacle.
- Never overload the power cord to prevent an electric shock or fire due to a loose contact or a short circuit.
- There are not user serviceable parts in this unit. Do not attempt to disassemble this unit by yourself. No one except authorized technicians can open and make repairs to this unit.
- Make sure the power source this unit is connected to has a continuous power flow.
- If there is need to use an extension cord, make sure the cord has an equal rating as the appliance to avoid overheat.
- Do not handle the power plug when your hands are wet or your feet are in contact with water.

## **Do not use this unit under the following circumstances.**

- Disconnect the power cord under the conditions of heavy rain, wind, thunder or lightning.
- Avoid direct Sunshine, rain shower and moisture.
- Keep away from fire sources and high temperature to prevent this device from overheating.
- Cut off the power supply first before transportation or maintenance.
- Fully disconnect from the power supply when the unit is not in use for a long period of time, as should be done with any other electric household appliance.
- To avoid possible injury and/or an electric shock, do not attempt to use the screen if there is obvious damage or if there are any evident broken parts.

# Installation Warning

**Due to various installation environments, the instructions provided in this user's guide are for reference only. Please consult a professional installation company for further installation and safety advice. The installer must insure that proper mounting hardware is used to provide adequate strength suitable for the installation. Elite Screens is not liable for any faulty installations.**

The Screen's **Top Black Drop** is already set to its maximum drop distance. There is **NO** extra top black drop in the roller. Please be aware of this as it will void the limitation of your warranty.

Individual modifications to this product are prohibited and will void the warranty with the manufacturer. Please contact Elite Screens Customer Service for any questions.

## NOTE:

This equipment has been tested and found to comply with the limits for a Class B digital device, pursuant to Part 15 of the FCC Rules.

These limits are designed to provide reasonable protection against harmful interference in a residential installation. This equipment generates and can radiate radio frequency energy and, if not installed and used in accordance with the instructions, may cause harmful interference to radio communications.

However, there is no guarantee that the interference will not occur on a particular installation. If this equipment causes harmful interference to radio or television reception, which can be determined by turning the equipment off and on, the user is encouraged to try to correct the interference by one or more of the following measures.

- ✓ **Reorient or relocate the receiving antenna of the device which may be causing the interference.**
- ✓ **Increase the separation between the screen and the device's receiver.**
- ✓ **Connect the equipment into a different power outlet other than the device.**

## Pre-Installation

1. Carefully unpack the screen.
2. Always handle the screen in a leveled position on a clean surface.
3. In order to protect the screen from exposure to stains, keep the screen out of contact with foreign particles such as dust, sawdust, and/or liquids.

## NOTE

Regardless of the mounting method, the screen should be securely supported so that the vibration or pulling on the viewing surface will not cause the casing to become loose or fall. The installer must insure that the fasteners used are of adequate strength and suitable for the installation location.

# Accessories for VMAX Plus 4 Series

Please make sure all accessories below are included before proceeding.



A.  
Infrared Remote



B.  
Radio Frequency



C.  
12 Volt Trigger

Red+

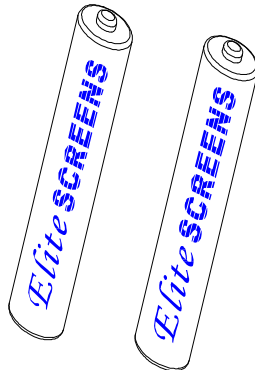
Green-



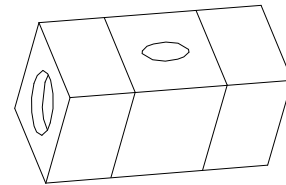
D.  
3 Way Wall Switch



D.  
Infrared Eye Receiver



E.  
AAA Batteries



F.  
Bubble Level

# Installation Instructions

**Please consult a professional installer. Elite Screens is not liable for any faulty installations.**

1. Select the installation location for your screen. Ensure that it is within reasonable proximity from your power source.
2. Elite Screens provides a built-in suspended ceiling mount bracket for the VMAX PLUS 4. The professional installer would need to provide any hardware and the safest way to install this screen.

1. Built in installation bracket.



2. Built-in 5-12 volt trigger port (RJ-45) for 12 Volt Trigger, 3 Way Wall Switch and IR Eye Receiver.



3. Easy access to the motor and circuit board.



# Troubleshooting & FAQ'S

For additional information, please contact Elite Screens at [techsupport@elitescreens.com](mailto:techsupport@elitescreens.com)

1. If your screen does not move, please check the power supply. The screen will understandably not move without power.
2. Make sure the power cord is firmly plugged to the power outlet.
3. Make sure that all cable connections are secure.
4. If the screen works well with the line switch but not with the remote control, please make sure the remote controls have fresh batteries. Change the batteries every 6 months to ensure proper operation of the remotes.

**1. Q: Why does my screen no longer function?**

**A:** Make sure your wall plug has power and that the screen is properly plugged. The fuse on the screen will also need to be checked. Please contact [techsupport@elitescreens.com](mailto:techsupport@elitescreens.com) for the location. The tubular motor in this screen is equipped with a thermal relay. This feature will automatically shut off the screen in the event of the motor becoming too hot. This will prevent the motor from overheating. If you should experience this, please let the screen's temperature decrease for 10-15 min. before usage.

**2. Q: How is the screen material cleaned?**

**A:** The screen material can be cleaned with mild soap and water.

**3. Q: What type of batteries do the remote controls require?**

**A:** The IR and RF remote controls use AAA alkaline batteries.

**4. Q: Can you manually pull down the screen?**

**A:** No, manually pulling down the screen will damage the electronic motor rolling system and void your warranty.

**5. Q: How could I setup my Screens IR receiver to work with my learning remote control system  
Do you have any IR codes I can use to achieve this?**

**A:** Our IR remote controls have been evaluated and entered in to the databases of some universal remote control manufacturers. Please contact the manufacturer of your remote to inquire about your remotes ability to function with ours. If they have not evaluated our remote control then the following list of Binary codes will be used for most remote setups.

For Spectrum, VMAX2, **VMAX PLUS 3 & 4**, Home2 and CineTension 2 Series

Up: 1111 0000 0001

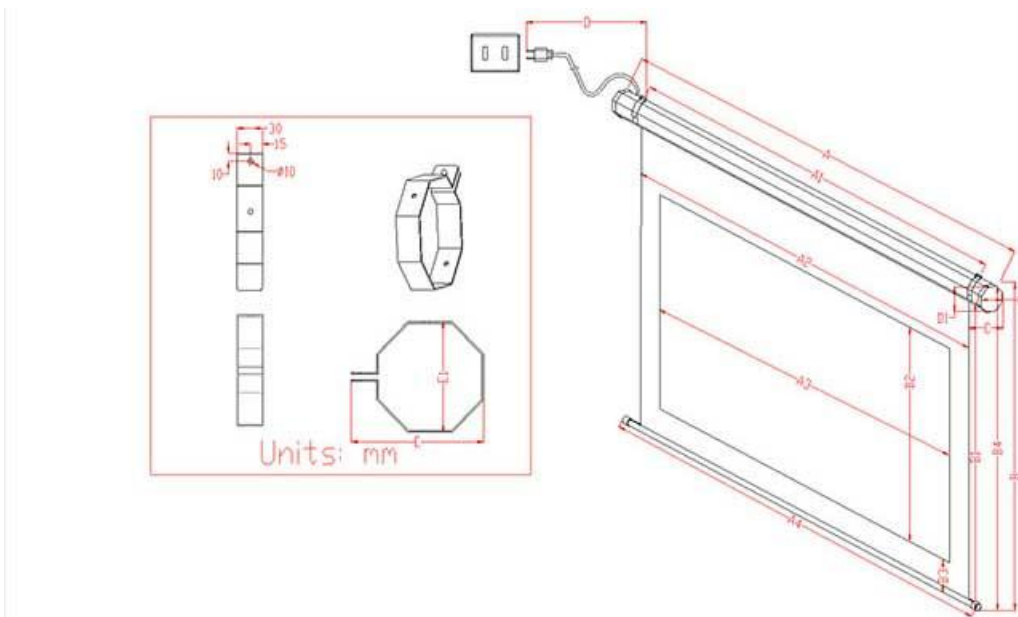
Stop: 1111 0000 0010

Down: 1111 0000 0100

# VMAX PLUS 4 Series Dimension Table

Unit: mm																		
Model	Diagonal Size/Aspect Ratio	Case Length (A)	End Cap Screw Hole Distance (A1)	View Width (A3)	Screen Width (A2)	Weight Bar Length (A4)	Bottom Edge Distance (B3)	Overall Height (B4)	View Height (B2)	Screen Material to Weight Bar Height (B1)	Overall Height w/ End cap (B)	End Cap Height (D1)	End Cap Width (C1)	Screen Material Edge to End Cap Distance (C)	Bracket Height (E)	Bracket Width (E1)	Power Cord Length (D)	N.V. (KGS)
180V	180" (4:3)	3947.0	3892.0	3658.0	3758.0	3863.0	95.0	3032.0	2743.0	2939.0		105.0	89.0				2500.0	24.2
200V	200" (4:3)	4430.0	4265.0	4064.0	4165.0	4315.0	72.0	3276.0	3048.0	3149.0	3464.0	127.0	127.0	15.0	188.0	138.0	2500.0	51.0
235V	235" (4:3)	5186.0	5021.0	4775.0	4876.0	5026.0	72.0	3822.4	3581.4	3682.4	4014.4	140.0	140.0	18.0	192.0	144.0	2500.0	68.9
265V	265" (4:3)	5821.0	5656.0	5384.0	5485.0	5635.0	72.0	4304.6	4038.6	4139.6	4519.6	165.0	165.0	20.0	215.0	175.0	2500.0	125.1
300V	300" (4:3)	6533.0	6368.0	6096.0	6197.0	6347.0	72.0	4848.0	4572.0	4673.0	5073.0	175.0	175.0	20.0	225.0	185.0	2500.0	140.4
180H	180" (16:9)	4275.0	4220.0	3985.0	4085.0	4191.0	95.0	2582.0	2242.0	2489.0		105.0	89.0				2500.0	23.9
200H	200" (16:9)	4790.0	4625.0	4428.0	4529.0	4679.0	72.0	2718.7	2490.7	2591.7	2906.7	127.0	127.0	15.0	188.0	138.0	2500.0	53.6
235H	235" (16:9)	5610.0	5445.0	5203.0	5304.0	5454.0	72.0	3167.6	2926.6	3027.6	3359.6	140.0	140.0	18.0	192.0	144.0	2500.0	67.3
265H	265" (16:9)	6303.0	6138.0	5867.0	5968.0	6118.0	72.0	3566.2	3300.2	3401.2	3781.2	165.0	165.0	20.0	215.0	175.0	2500.0	128.0
200S	200" (1:1)	3956.0	3791.0	3592.0	3693.0	3843.0	72.0	3820.1	3592.1	3693.1	4008.1	127.0	127.0	15.0	188.0	138.0	2500.0	48.0
235S	235" (1:1)	4582.0	4417.0	4221.0	4322.0	4472.0	72.0	4461.8	4220.8	4321.8	4653.8	140.0	140.0	18.0	192.0	144.0	2500.0	63.0
Unit: Inch																		
Model	Diagonal Size/Aspect Ratio	Case Length (A)	End Cap Screw Hole Distance (A1)	View Width (A3)	Screen Width (A2)	Weight Bar Length (A4)	Bottom Edge Distance (B3)	Overall Height (B4)	View Height (B2)	Screen Material to Weight Bar Height (B1)	Overall Height w/ End cap (B)	End Cap Height (D1)	End Cap Width (C1)	Screen Material Edge to End Cap Distance (C)	Bracket Height (E)	Bracket Width (E1)	Power Cord Length (D)	N.V. (LBS)
180V	180" (4:3)	155.4	153.2	144.0	148.0	152.1	3.7	119.4	108.0	115.7		4.1	3.5				98.4	53.2
200V	200" (4:3)	174.4	167.9	160.0	164.0	169.9	2.8	129.0	120.0	124.0	136.4	5.0	5.0	0.6	7.4	5.4	98.4	112.2
235V	235" (4:3)	204.2	197.7	188.0	192.0	197.9	2.8	150.5	141.0	145.0	158.0	5.5	5.5	0.7	7.6	5.7	98.4	151.6
265V	265" (4:3)	229.2	222.7	212.0	215.9	221.9	2.8	169.5	159.0	163.0	177.9	6.5	6.5	0.8	8.5	6.9	98.4	275.2
300V	300" (4:3)	257.2	250.7	240.0	244.0	249.9	2.8	190.9	180.0	184.0	199.7	6.9	6.9	0.8	8.9	7.3	98.4	308.9
180H	180" (16:9)	168.3	166.1	156.9	160.8	165.0	3.7	101.7	88.3	98.0		4.1	3.5				98.4	52.6
200H	200" (16:9)	188.6	182.1	174.3	178.3	184.2	2.8	107.0	98.1	102.0	114.4	5.0	5.0	0.6	7.4	5.4	98.4	117.8
235H	235" (16:9)	220.9	214.4	204.8	208.8	214.7	2.8	124.7	115.2	119.2	132.3	5.5	5.5	0.7	7.6	5.7	98.4	148.1
265H	265" (16:9)	248.1	241.7	231.0	235.0	240.9	2.8	140.4	129.9	133.9	148.9	6.5	6.5	0.8	8.5	6.9	98.4	281.6
300H	300" (16:9)	278.7	272.2	261.5	265.4	271.3	2.8	158.0	147.1	151.1	166.8	6.9	6.9	0.8	8.9	7.3	98.4	311.5
200S	200" (1:1)	155.7	149.3	141.4	145.4	151.3	2.8	150.4	141.4	145.4	157.8	5.0	5.0	0.6	7.4	5.4	98.4	105.6
235S	235" (1:1)	180.4	173.9	166.2	170.2	176.1	2.8	175.7	166.2	170.1	183.2	5.5	5.5	0.7	7.6	5.7	98.4	138.6

\*Measurement dimensions are intended as a reference only and subject to change without notice. Note: Data Error may be ±1"



# Limited Warranty Policy

**What is Covered:** Elite Screens, Inc. ("Elite Screens") warrants its products to the first retail purchaser, if purchased new and operated in the United States or Canada, to be free from defects in workmanship and materials (except as provided below) for a period of (2) years from the date of original purchase, and (3) years for products purchased directly by educational, non-profit, religious or government organizations.

Refurbished products purchased directly from Elite Screens are warranted for a period of (90) days from the date of original purchase.

For warranty service, you must provide proof of purchase and the serial number of your product.

**How to Get Service:** Should this product prove defective during the warranty period, please visit [www.elitescreens.com/rmaform](http://www.elitescreens.com/rmaform) and submit a warranty claim form. You must provide your proof of purchase, the serial number of your product, and describe the problem you are experiencing with your screen. An Elite Screens representative will determine whether the product requires service, and provide you with further instructions on how to proceed with your warranty claim.

**Missing Parts:** If your product is missing parts, Elite Screens will, at its option, replace the part without any charge, including shipping and handling, provided that that you report your claim within (7) days of receipt. If you report your claim after (7) days of receipt, but within (30) days of receipt, Elite Screens will, at its option, replace the part without charge, but you will bear the cost of shipping and handling. If you report your claim after (30) days of receipt, you will bear all costs to replace the part.

**Returns and Exchanges:** If a return is needed, Elite Screens will issue you a Return Merchandise Authorization ("RMA") Number. This number is valid for (45) days from the date of issue, and is required to process any returns. A returned item sent to Elite Screens without a visible or valid RMA Number is subject to refusal by Elite Screens. You are responsible for the cost of returning the item and ensuring the product is properly packaged to prevent damage in transit.

Once a returned product is received, Elite Screens will, at its option, replace the product or part without charge, including ground service freight. The replacement product or part may be new or refurbished to the Elite Screens standard of quality, and is subject to stock availability. Elite Screens' liability for replacement of the covered product will not exceed the original retail selling price of the covered product. Exchange products and parts assume the remaining warranty period of the original product covered by this limited warranty.

**What is Not Covered:** This warranty is not transferable and does not cover product purchased by another end user. This warranty does not cover incidental damages, such as loss of time, loss of use, or installation costs of defective, repaired or replaced product. This warranty does not cover product that has been damaged or rendered defective as a result of (a) neglect, abuse or misuse; (b) modification of the original product; (c) improper use or installation of products not manufactured by Elite Screens; (d) service provided by anybody other than Elite Screens; (e) abnormal mechanical or environmental conditions; (f) unusual physical or electrical stress -including failure or fluctuation of electrical power, lighting, static electricity, fire, tornadoes, or other natural disasters.

Elite Screens does not warrant against freight damage, concealed or otherwise, unless product is shipped directly from an Elite Screens facility. You must contact the vendor and the delivering carrier to report freight damage within (7) days of receipt. Failure to report freight damages within the carrier's guidelines may result in you bearing all costs.

THIS LIMITED WARRANTY AND REMEDY PROVIDED ABOVE ARE EXCLUSIVE AND IN LIEU OF ALL OTHER WARRANTIES. ELITE SCREENS, INC. DISCLAIMS ALL OTHER WARRANTIES, WHETHER EXPRESS, IMPLIED OR STATUTORY, INCLUDING ANY WARRANTY OF MERCHANTABILITY, ANY WARRANTY OF FITNESS FOR A PARTICULAR PURPOSE AND ANY IMPLIED WARRANTIES ARISING FROM A COURSE OF DEALING OR USAGE OF TRADE. THIS LIMITED WARRANTY GIVES THE END USER SPECIFIC LEGAL RIGHTS, AND THE END USER MAY HAVE OTHER RIGHTS WHICH VARY FROM STATE TO STATE.

EXCEPT AS PROVIDED IN THIS WRITTEN WARRANTY, ELITE SCREENS, INC. SHALL NOT BE LIABLE FOR ANY LOSS, INCONVENIENCE, OR DAMAGE, INCLUDING DIRECT, SPECIAL, INCIDENTAL OR CONSEQUENTIAL DAMAGES, RESULTING FROM THE USE OR INABILITY TO USE THE ELITE SCREENS PRODUCT, OR FOR LOST DATA OR LOST SOFTWARE WHETHER RESULTING FROM BREACH OF WARRANTY OR ANY OTHER LEGAL THEORY. SOME STATES DO NOT ALLOW THE EXCLUSION OR LIMITATION OF INCIDENTAL AND CONSEQUENTIAL DAMAGES, SO THE ABOVE LIMITATION MAY NOT APPLY.

In Canada, warranties include both warranties and conditions. Some jurisdictions do not allow limitations on how long an implied warranty lasts and some jurisdictions do not allow the exclusion or limitation of incidental or consequential damages, so the above limitations and exclusions may not apply to you. This warranty gives you specific legal rights, and you may also have other rights which vary from jurisdiction to jurisdiction.

**International Warranty:** Elite Screens, Inc. does not provide warranty coverage outside of the United States or Canada. For more information on the warranty coverage, terms and conditions in your region, contact your Elite Screens International Distributor directly.