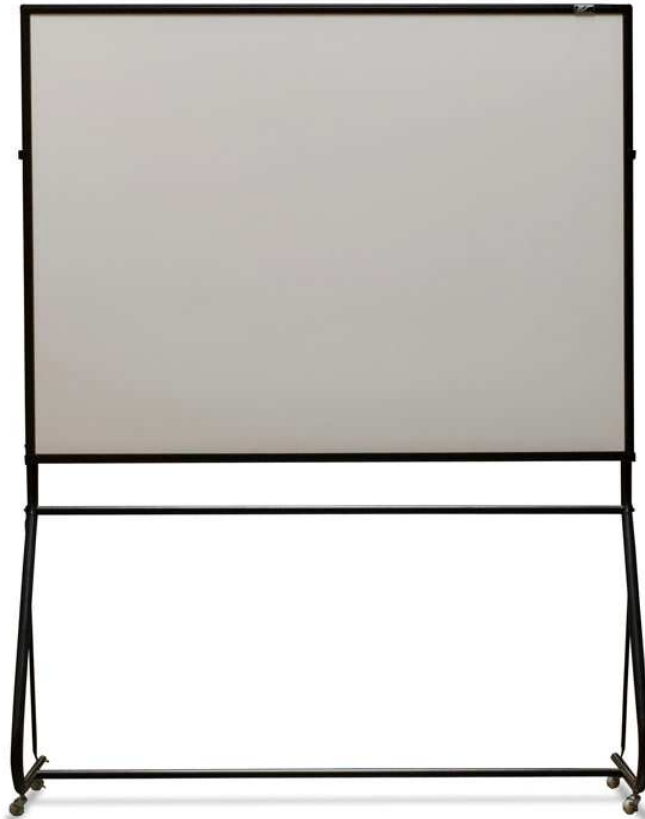




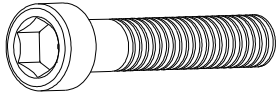
WhiteBoard Projection Screen
Portable Mobile Stand

User's Guide

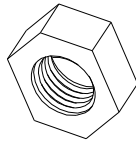


Parts List for Portable Mobile Stand

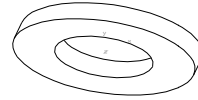
Please make sure all parts listed below are included before proceeding with the installation.



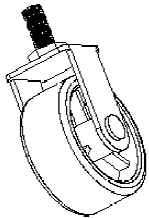
A. M6x40 Hex Screw (12pcs)



B. M6 Nut (6pcs)



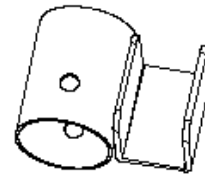
C. M6 Washer (18pcs)



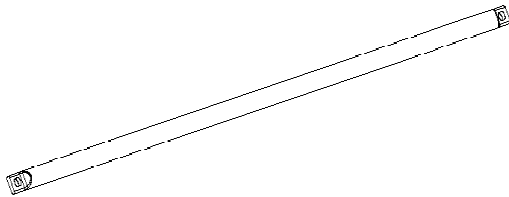
D. Wheel (4pcs)



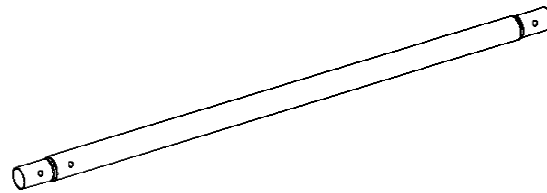
E1. Top Left Bracket (1pc)



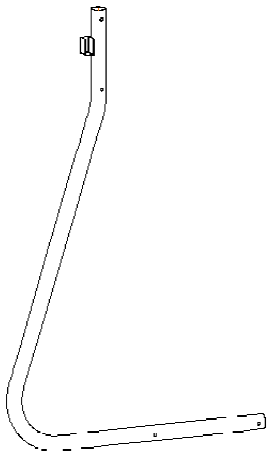
E2. Top Right Bracket (1pcs)



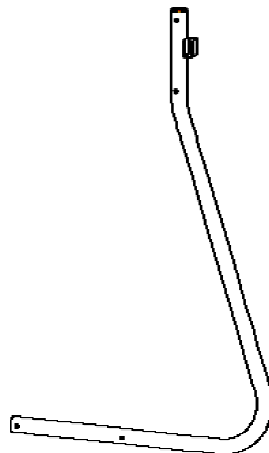
F. Bottom Foot Support Bar (2pcs)



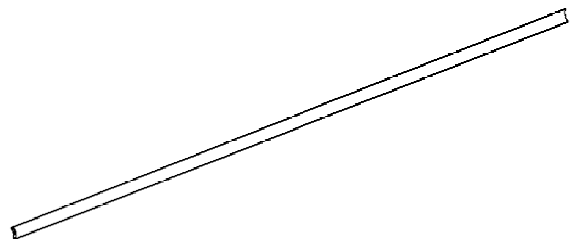
G. Side Legs (2pcs)



H1. Left Bottom Foot (1pc)



H2. Right Bottom Foot (1pc)

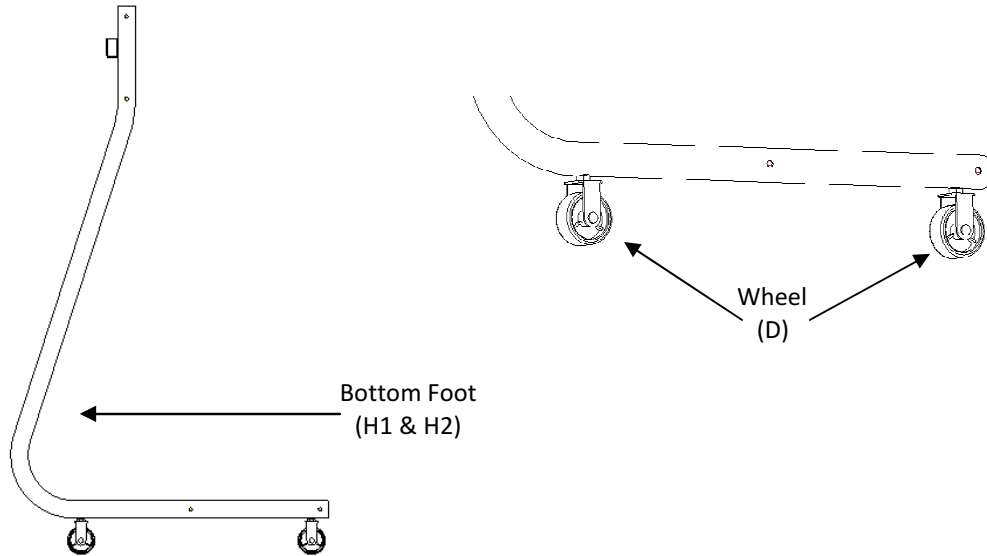


I. Middle Support Bar (3pcs)

Installation Instructions

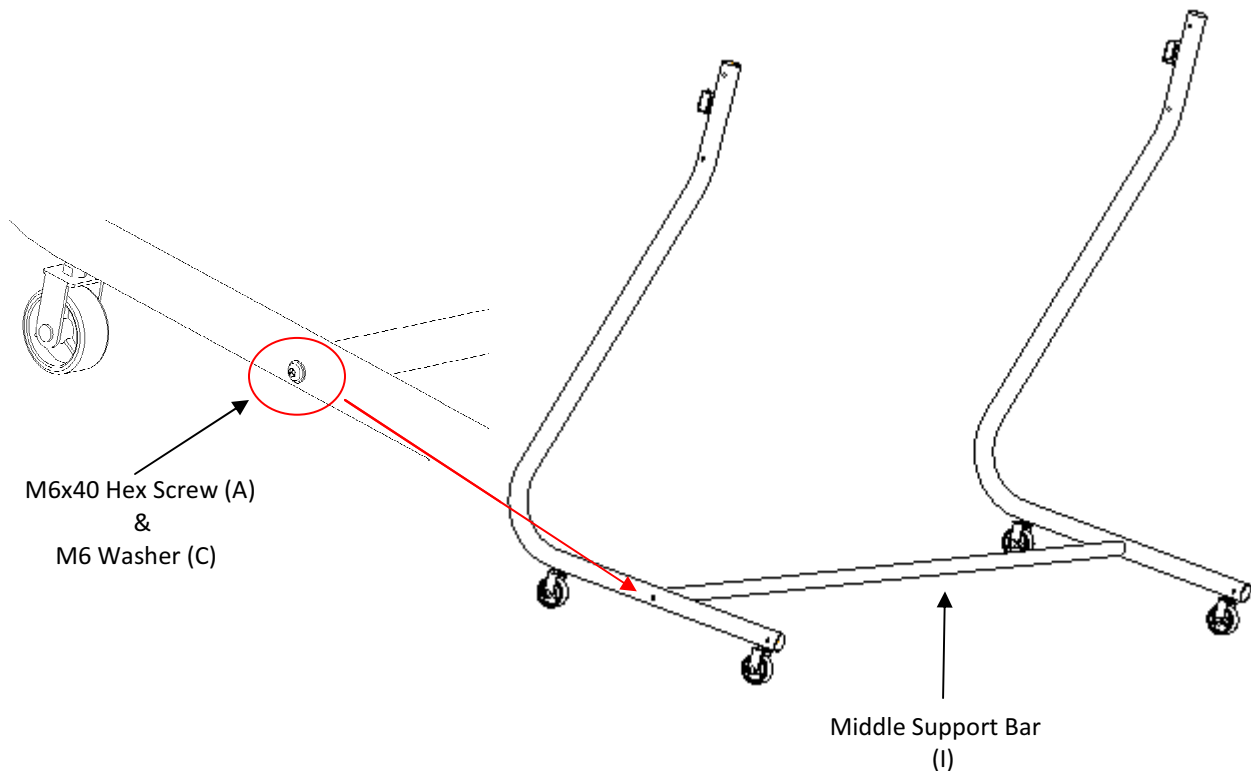
Elite Screens recommends two persons to assemble the Portable Mobile Stand and to attach the Whiteboard.

1. Insert the Wheels (D) to the Bottom Feet (H1 & H2) as shown in the figure below.

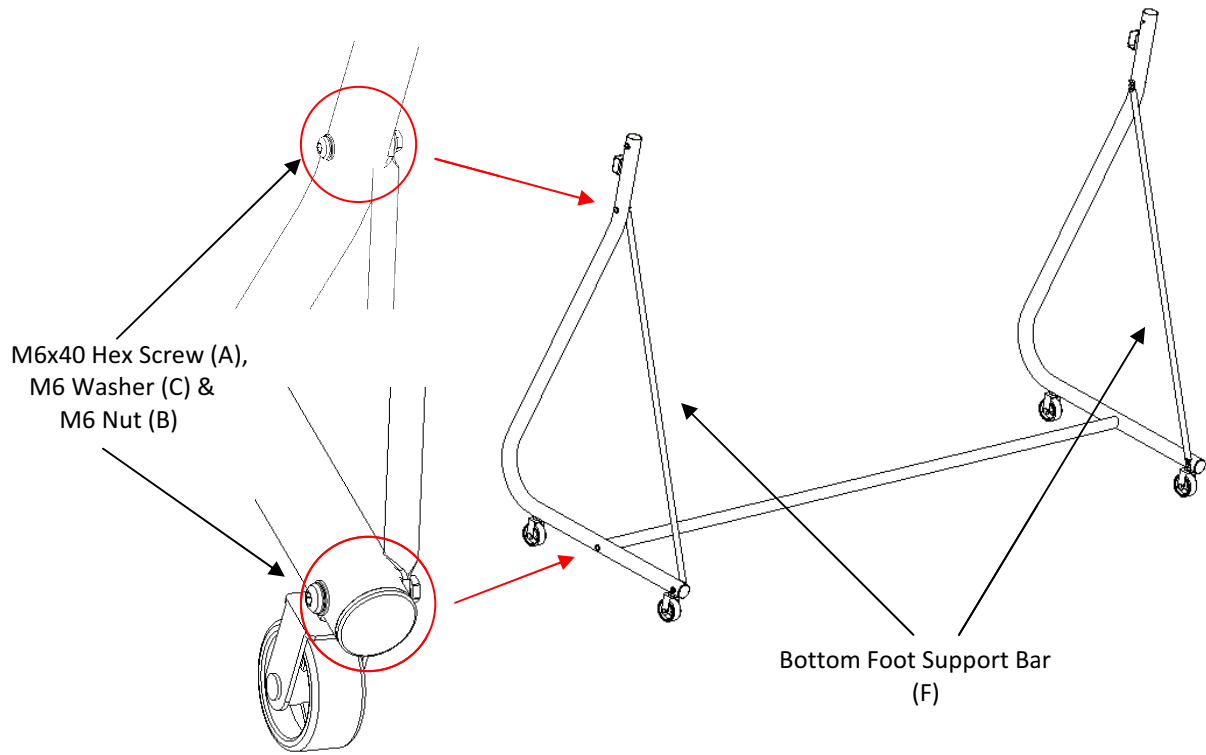


2. Attach one Middle Support Bar (I) to the Bottom Feet (H1 & H2) and secure with the M6x40 Hex Screws (A) & M6 Washers (C).

Note: The three Middle Support Bars (I. x 3pcs) are all the same length.

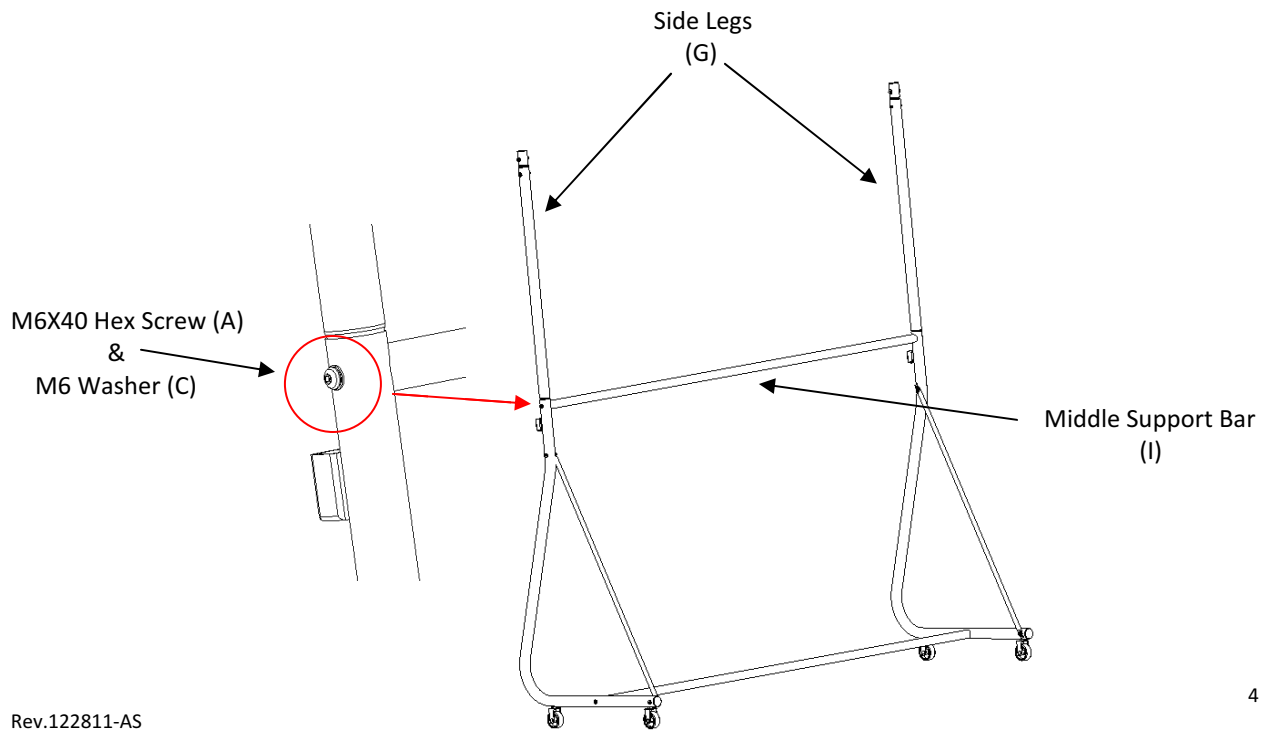


3. Attach the Bottom Foot Support Bars (F) to the Bottom Feet (H1 & H2) and secure with the M6x40 Hex Screws (A), M6 Washers (C) and M6 Nuts (B).



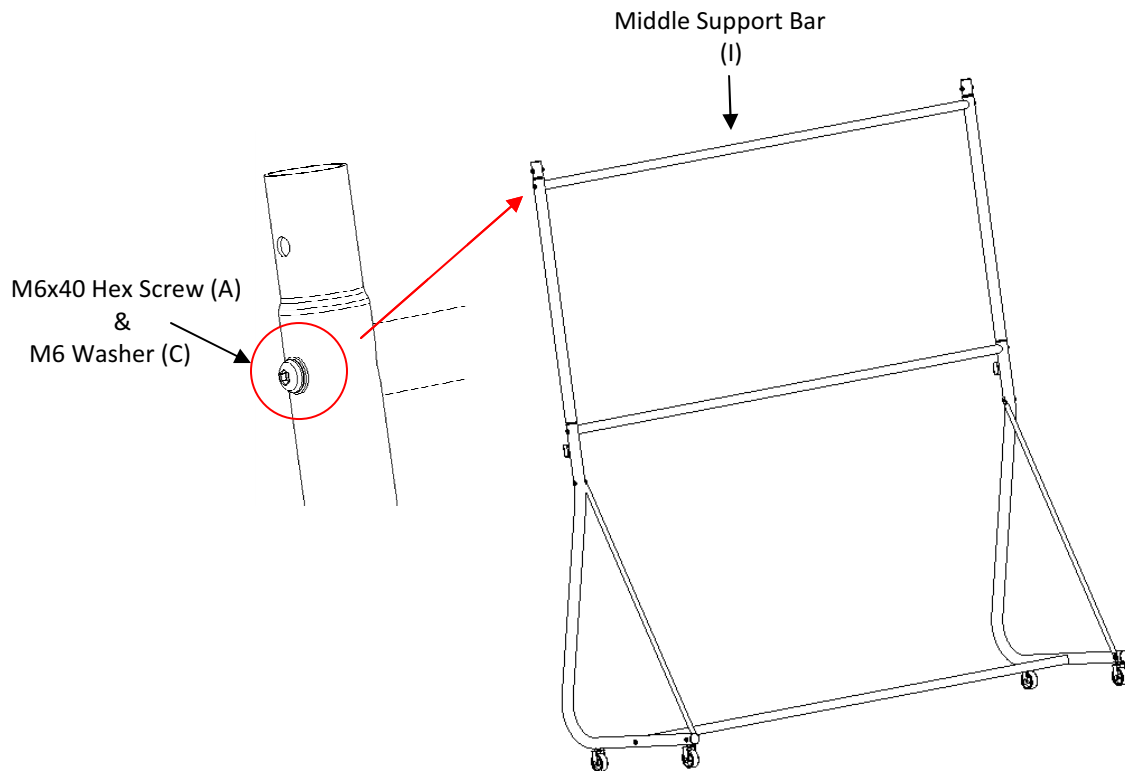
4. Attach the Side Legs (G) to the Bottom Feet (H1 & H2). Attach one Middle Support Bar (I) to the Side Legs (I) and secure with M6x40 Hex Screws (A) & M6 Washers (C).

Note: You will be attaching the 2nd Middle Support Bar (I. x 3pcs).

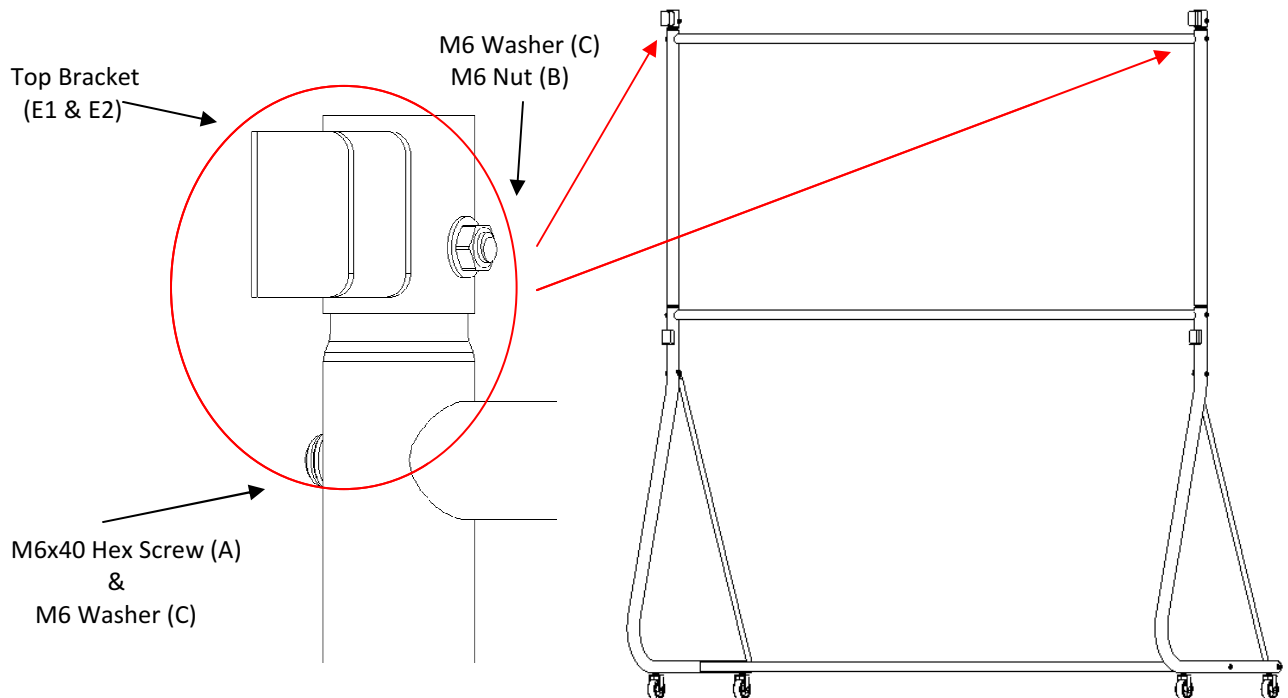


5. Attach the 3rd Middle Support Bar (I) to the Side Legs (G) and secure with M6x40 Hex Screws (A) & M6 Washers (C).

Note: You will be attaching the 3rd Middle Support Bar (I. x 3pcs).

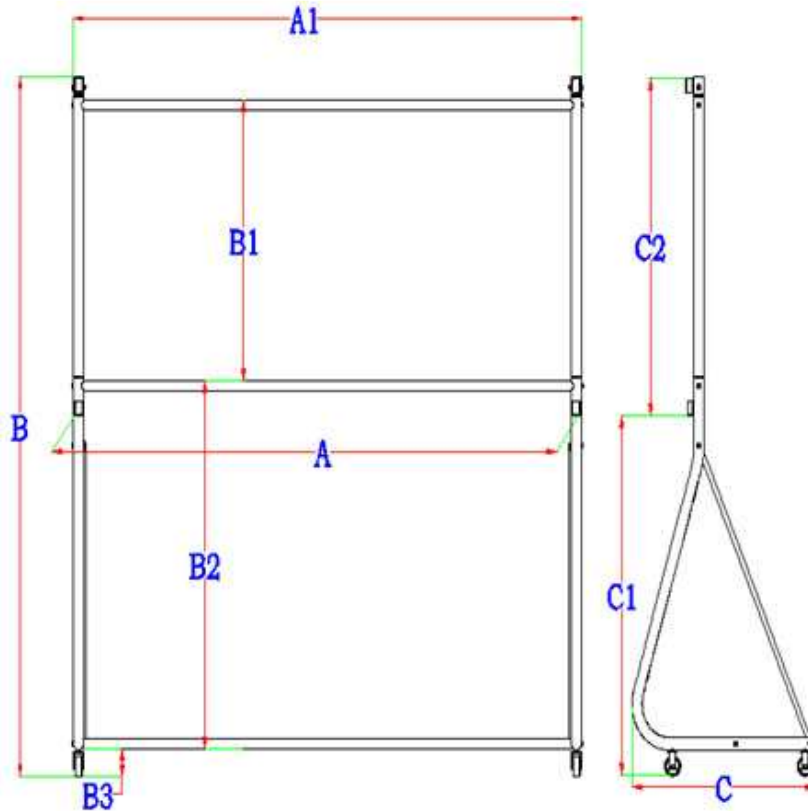


6. Attach the Top Brackets (E1 & E2) to the Side Legs (G) and secure with the M6x40 Hex Screws (A), M6 Washers (C) and M6 Nuts (B).



Portable Mobile Stand Dimension Table

Unit: mm										
Model Number	Screen Diag. & Aspect Ratio	(A)	(A1)	(B)	(B1)	(B2)	(B3)	(C)	(C1)	(C2)
ZWBMS-58	58" (4:3)	1221	1225	1810	710	970	70	625	960	865
ZWBMS-77	77" (4:3)	1611	1615	1810	710	970	70	625	960	865
ZWBMS-87	87" (16:10)	1920	1924	1810	710	970	70	625	960	865
ZWBMS-94	94" (16:9)	2125	2129	1810	710	970	70	625	960	865
Unit: inch										
Model Number	Screen Diag. & Aspect Ratio	(A)	(A1)	(B)	(B1)	(B2)	(B3)	(C)	(C1)	(C2)
ZWBMS-58	58" (4:3)	48.1	48.2	71.3	28	38.2	2.8	24.6	37.8	34.1
ZWBMS-77	77" (4:3)	63.4	63.6	71.3	28	38.2	2.8	24.6	37.8	34.1
ZWBMS-87	87" (16:10)	75.6	75.7	71.3	28	38.2	2.8	24.6	37.8	34.1
ZWBMS-94	94" (16:9)	83.7	83.8	71.3	28	38.2	2.8	24.6	37.8	34.1



Warranty Policy

- **Two (2) Year** parts and labor warranty from defects in workmanship from purchase date as follows (except for refurbished units as specified below).
- **Three (3) Year** parts and labor warranty from defects in workmanship for **GEMR** (Government, Educational, Military, & Religious) purchases of new product only.
- **Refurbished Units** carry a **90-DAY** parts and labor warranty.
- Each party will be responsible for one way shipping during the warranty period.
- A **RMA (Return Merchandise Authorization) number** must be issued in order to process a replacement or to authorize a return for warranty repair. Elite Screens will, at its sole option replace or repair the defective unit with a replacement *(see exceptions below) after the defective unit or parts have been received. Once the product is received, Elite Screens will send out a replacement *unit to the customer by ground service (subject to inventory availability).
- **Do Not Return Any Unauthorized Items to Elite Screens, as they will be refused and returned at your expense. The RMA Number must be included on the outside label of your shipping box. Our warehouse is not authorized to accept returns without an RMA number on the shipping label.**
- **RMA Numbers are valid for 45 days from the date issued.**
- **Missing Parts** must be reported within 7 days of receipt. If reported after 7 days, the customer will be responsible for shipping and handling fees. If reported after 30 days of receipt, the customer will be responsible for cost of parts and shipping & handling fees.

*A New or refurbished replacement will be send out to the customer depending on the type of purchase (new or refurbished) and based on stock availability.

North America only U.S. and Canada

For Warranty and Service requests, please submit an RMA/Service Form at:

www.elitescreens.com/warrantysupportform

Please visit this link for full Warranty information:

www.elitescreens.com/warranty

For Customer Service and Technical questions, please contact Elite Screens at:

Telephone: (877) 511-1211

service@elitescreens.com

Fax: (562) 926-8433

techsupport@elitescreens.com

REMEMBER TO REGISTER YOUR PRODUCT AT:

www.elitescreens.com

Contact Info

US & Canada Tech Support & Warranty Claim

Please contact us at service@elitescreens.com or call +1 877-511-1211 #3 or fax +1-562-926-8433

Europe Tech Support & Warranty Claim

Please contact us at service@elitescreens.eu or call +49-(0) 40-30392958

Asia Tech Support & Warranty Claim

Please contact us at service@elitescreens.com.cn or call +86-(0) 755-8461-7989

Taiwan Tech Support & Warranty Claim

Please contact us at service@elitescreens.com.tw or call +866+2+8990-1999

America:

Elite Screens Inc

16410 Manning Way
Cerritos, CA 90703 USA

Tel: +1-877-511-1211

Fax: +1-562-926-8433

info@elitescreens.com

www.elitescreens.com

Europe:

Elite Screens Europe

Lübecker Straße 1
22087 Hamburg, Germany

Tel: +49-4030392494

Fax: +49-40-49219200

info@elitescreens.eu

www.elitescreens.eu

Asia:

Elite Screens China Corp.

Longxi Duimianling Industry Zone
Longcheng Longgang District,
ShenZhen Guangdong, China

Tel: +86-(0)755-8461-7989

Fax: +86-(0)755-8461-7669

info@elitescreens.com.cn

www.elitescreens.com.cn

Elite Screens France S.A.S

11, Allée William Penn
92150 Suresnes, France

Tel: +33-1-45064735

Fax: +33-1-45064735

info.fr@elitescreens.com

www.elitescreens.com/fr

Taiwan:

Elite Screens Taiwan Corp.

4F., No. 42-1 Wuguan Rd. Wugu Township Taipei
County 248, Taiwan (Wugu Industrial Park)

Taiwan (R.O.C)

Tel: +886+2+8990-1999

Fax: +886+2+8990+1366

info@elitescreens.com.tw

www.elitescreens.com.tw

Japan:

Elite Screens Japan Corp.

467-2-606 Tsuruma, Machida-shi,
Tokyo, 194-0004 Japan

Tel: 0120-07-0008

Fax: +81(0)42-706-9130

info@elitescreens.jp

www.elitescreens.jp

Latin America Contact:

Info.la@elitescreens.com

East Asia Contact:

Info.ea@elitescreens.com

India Contact:

Info.ea@elitescreens.com