



Sable Frame B 2 Series

Fixed Frame Projection Screen

User's Guide

Thank you for choosing an Elite Screens fixed frame projection screen! Please read through this user guide before utilizing the screen. Correct usage and maintenance will ensure a long product life.

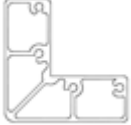


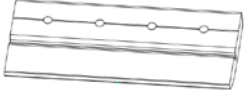
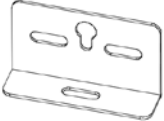



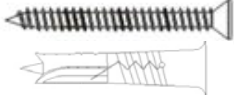
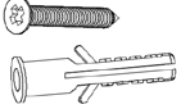
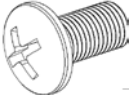


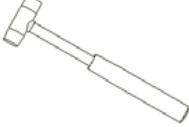

Care & Use Instructions :

Dust, dirt and scratches on the projection surface will affect the picture quality, please take note of the points below to prevent that from occurring:

- Do not **touch** the projection surface with your hands
- Do not **write or draw** on the projection surface
- Do not use fingers or sharp objects to point on the projection surface; this will damage the screen material.
- Use a soft-damp cloth to clean the projection surface; do not use chemical cleaning agents or alcohol.
- Use clean water when dampening the cleaning cloth and do not rub against the material to clean it.

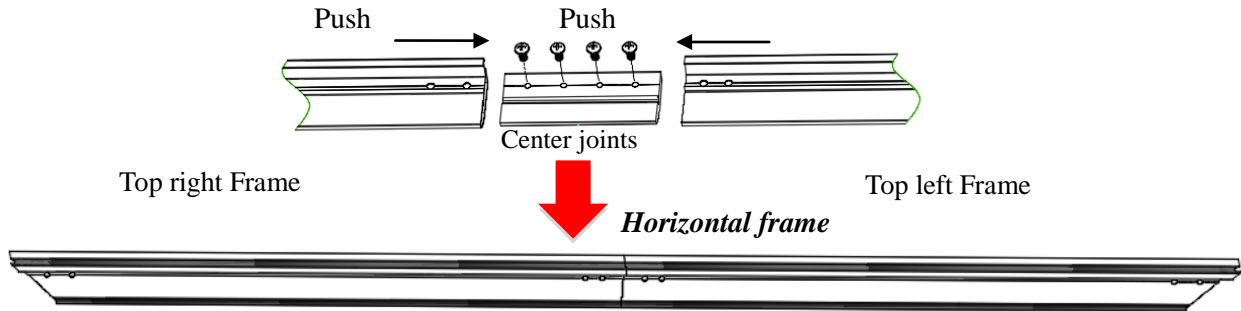
Hardware and Parts List

Please make sure all parts listed below are included before installation.

A. Elbow joint x4 pcs	B. Top/Bottom horizontal frame x4 pcs	C. Left/Right vertical frame x2 pcs	D. Center joints x2 pcs
			
E. Wall brackets x4 pcs	F. Screws for support bar x1pcs	G. Center support bar x1-2 pcs	H. Fix Plates x1 bag
			
I. Connector x5 pcs	J. M5x50 Screw and anchor x6 pcs	J. Screw and anchor x 8-12 pcs (2)	K. M6*10 screw x28pcs
			
L. Screen Material x1 pc	M. Fiber glass rod x 6 pcs (4 top/bottom rods + 2 side rods)	N. Rubber mallet x 1 pc	O. Phillips screwdriver x1 pc
			

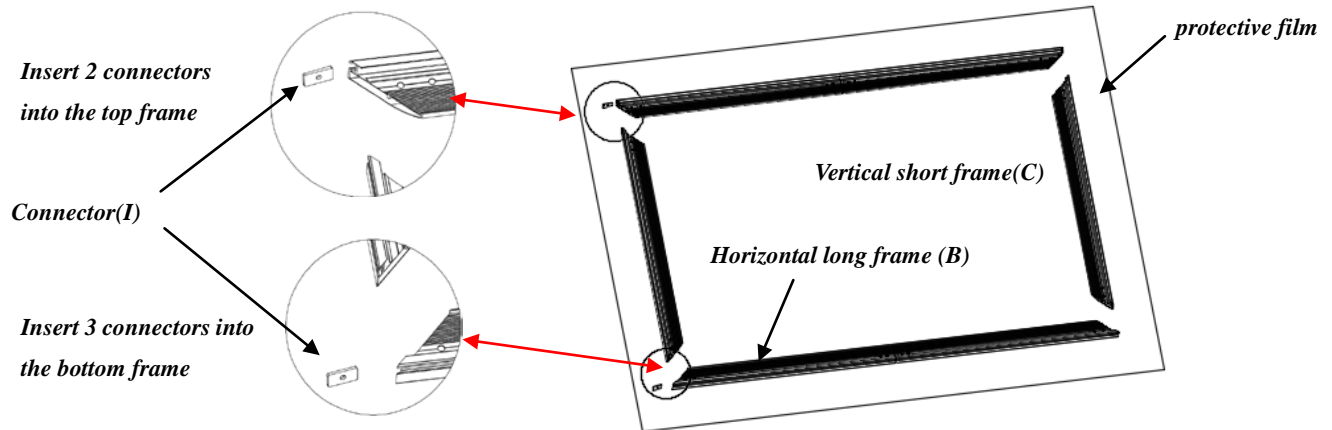
Frame Assembly

1. Insert the center joint into one of the $\frac{1}{2}$ **horizontal frames** (B) and fasten it with the two **M6x10 screws**.
2. Insert the other $\frac{1}{2}$ horizontal frame piece to the center joint and fasten also using two **M6x10 screws**.
3. Repeat steps 1 and 2 for assembling the second horizontal frame.



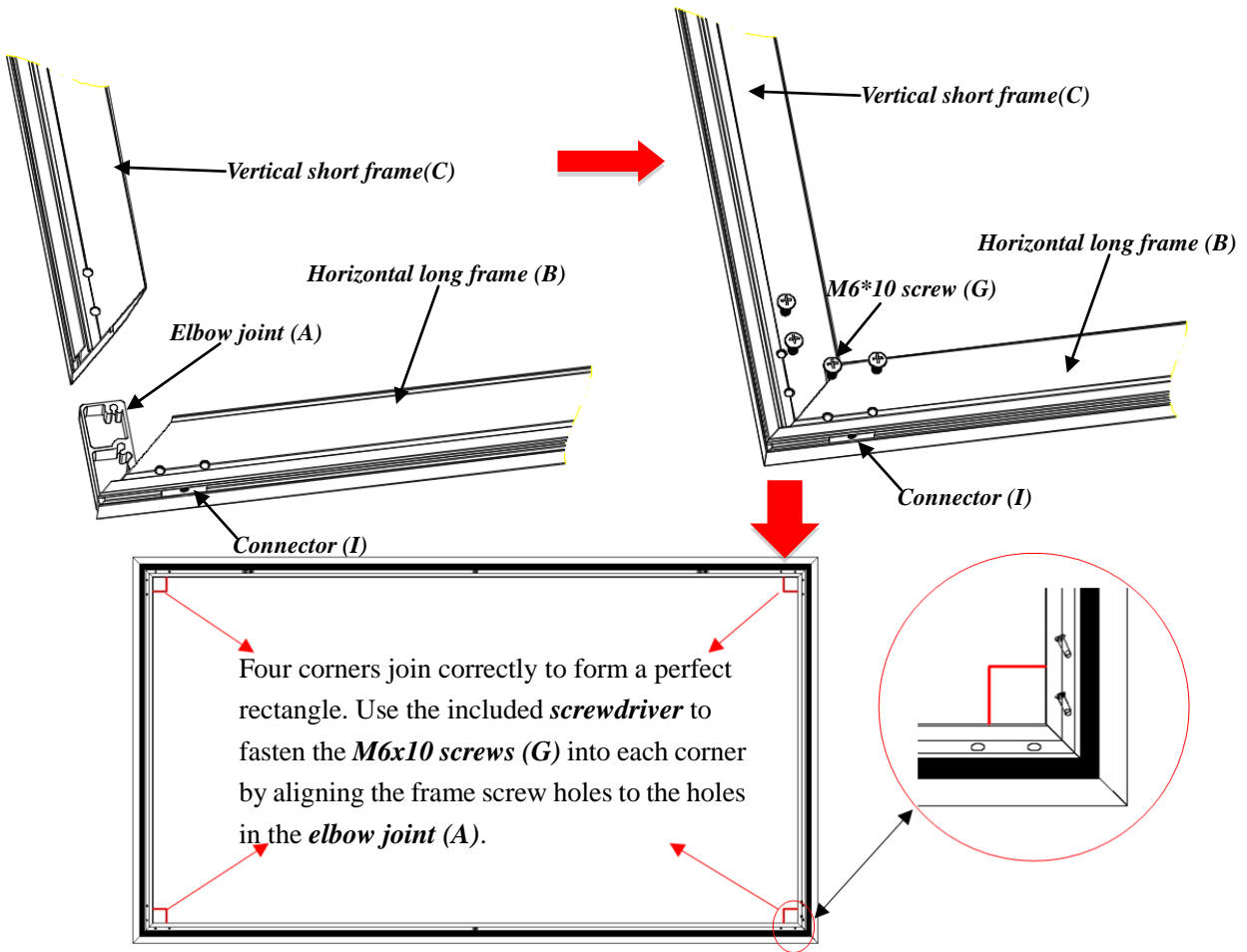
4. Put the assembled top and bottom frame on a soft-clean cloth on a flat surface, and insert three **connectors** (I) into the bottom frame, and two **connectors** (I) into top frame.

Note: Connectors (I) are for the Wall Bracket and Support Bar installation



5. Insert the **elbow joint** (A) into each end of the **horizontal frames** (B) as shown below. Then insert the two **vertical short frames** (C) into the **elbow joint** (A).

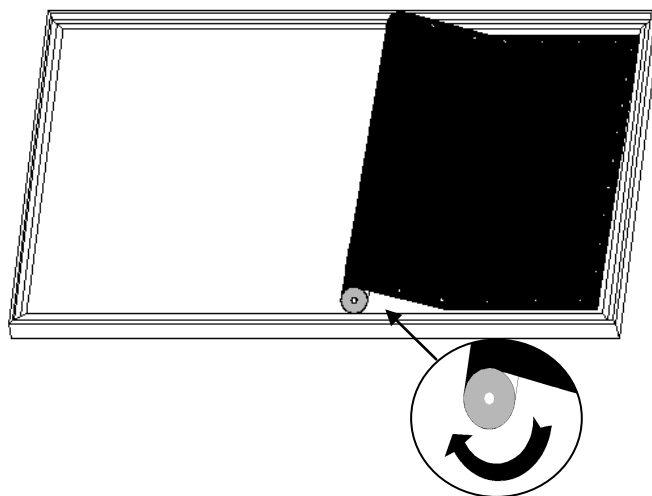
Note: Make sure all four corners are properly in place to form a perfect square. Then fasten the four angles with the **M5x15 Screws** (H).



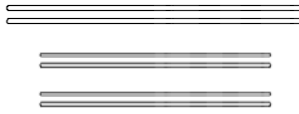
Attaching the screen material to the frame

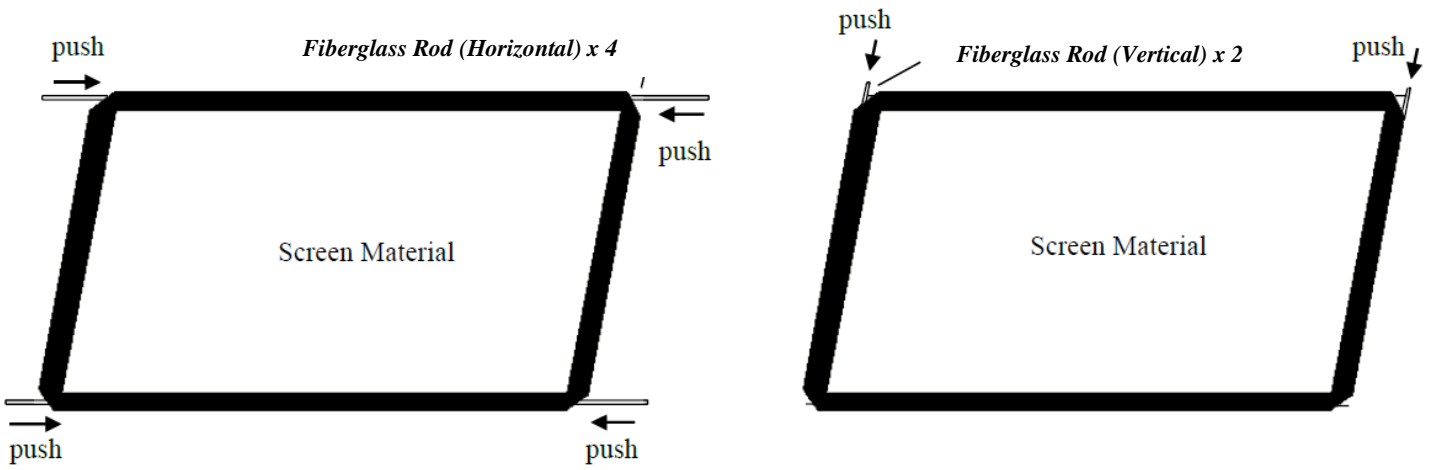
1. Make sure the screen material and frame are both lying face down on a clean, dry, and non-abrasive surface.
2. Carefully unroll the material inside the frame.

Please note the material will be noticeably smaller than the frame, as the material must be stretched to create a sufficient amount of tension for perfect material flatness.



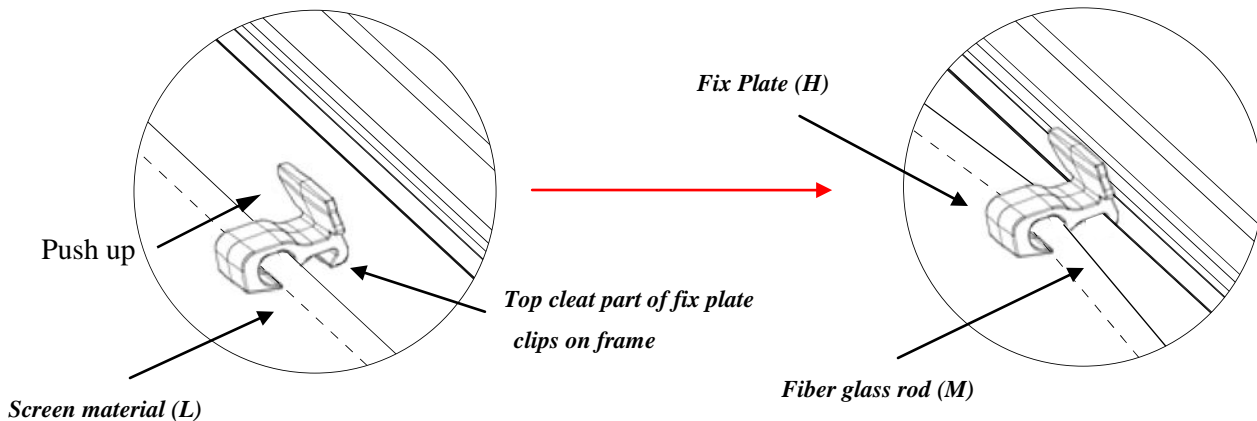
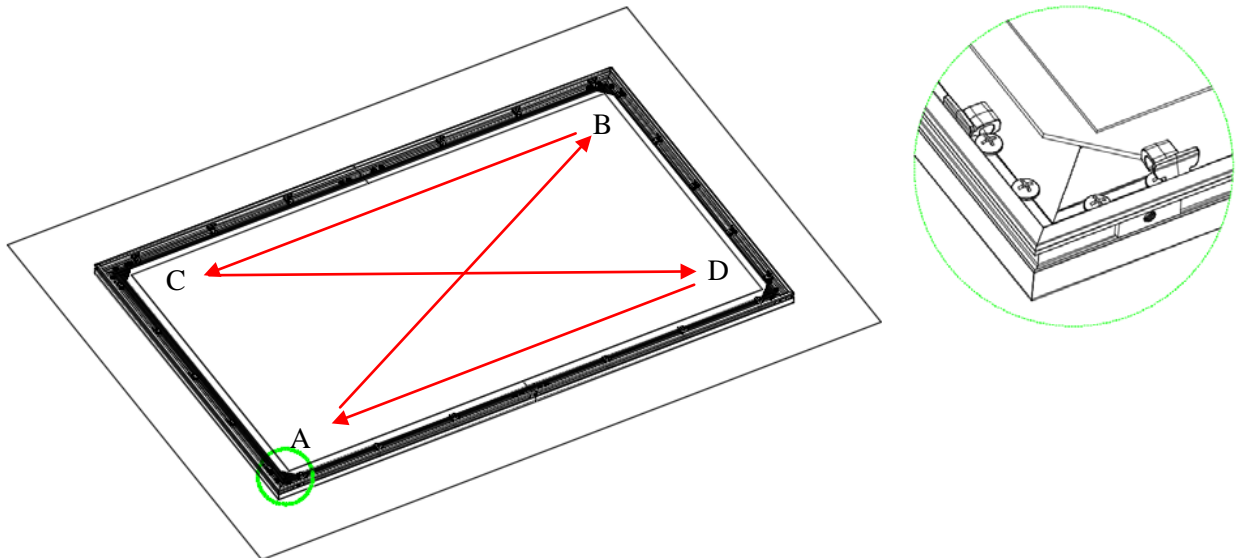
3. Insert the fiberglass rods separately into the edges of all four corners of the material.


 Fiberglass Rod (Vertical) x 2
 Fiberglass Rod (Horizontal) x 4

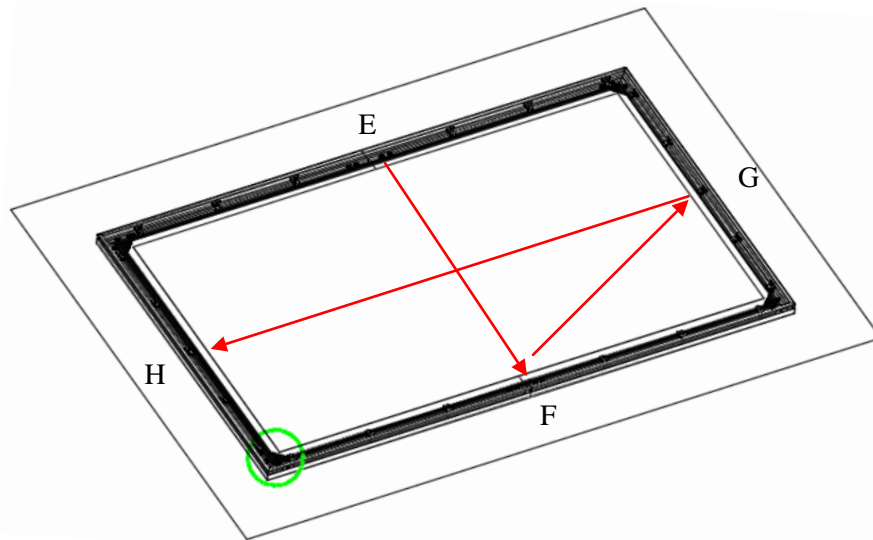


4. Attach the fix plates

- (1) Begin by securing the four corners in the following order A→B→C→D as shown below.
- (2) Attach one side of the *fix plates (H)* to the screen material's edge with fiberglass rod, and pull up the fix plate to clip on the frame.



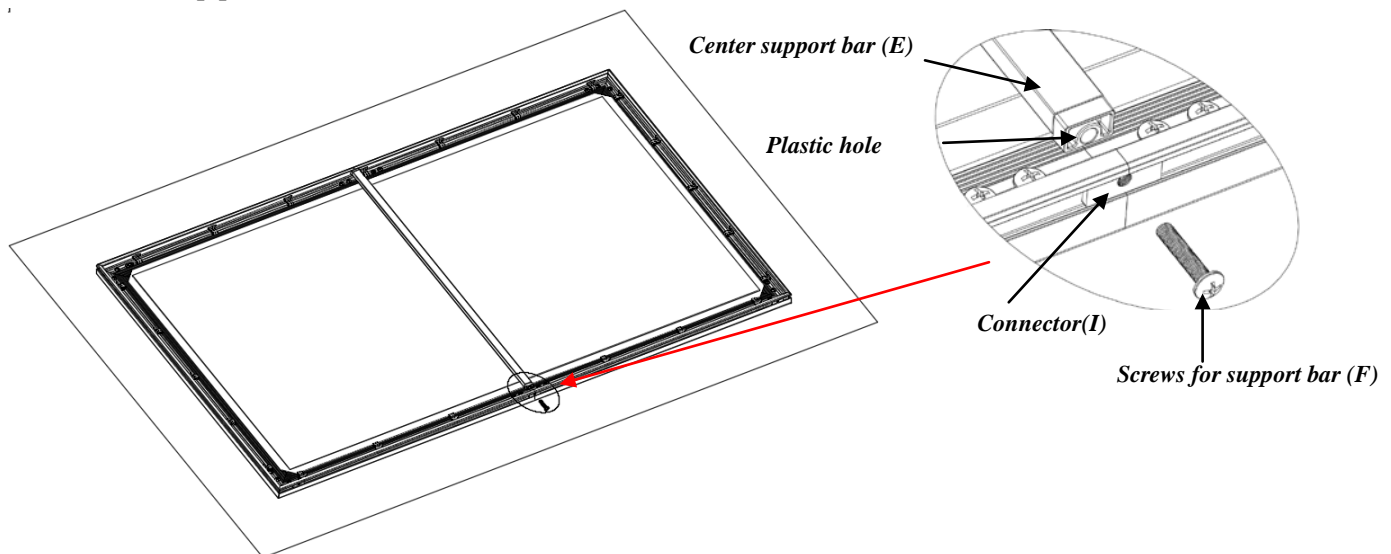
(3) Place a fix plate in the center of each side in the following order E→F→G→H.



(4) Repeat the previous steps to complete attaching the screen material to the frame using the remainder of the fix plates. Make sure to keep the material uniformly tensioned on all sides to achieve a flat taut installation.

Installing the support bar to the screen

1. Slide the center **Connector (I)** located on the bottom frame to the middle. Then place the **Support Bar (G)** on top of the frame and align both screw holes of the **connector** and **support bar**. Use the **Support Bar Screw (F)** to secure the bottom of the support bar. Once the screw has been fully inserted, attach the top part of the support bar to the top part of the frame

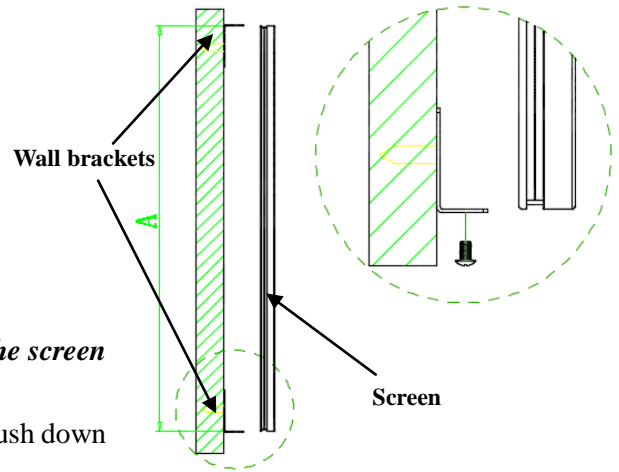


Installation

1. Locate your desired installation location with a stud finder (recommended) and mark the drill-hole area of where the screen is to be installed using the wall brackets
2. Drill a pilot hole with a 3/16 bit for the wood screws included for top/bottom placement of the wall brackets.
3. Line up and level the two top/bottom wall brackets with the pilot holes and screw them in using a Phillips screwdriver.

Note: please make sure the distance A is over 5-10mm than the screen frame height.

4. Position the fixed frame screen onto the top wall brackets and push down at the center of the bottom frame to secure the installation.
5. Then secure the brackets using the **M6x10 Screw (K)** into the **connector(I)** on the top and bottom of the frame.



For a local EliteScreens contact or Technical Support, please visit

www.elitescreens.com