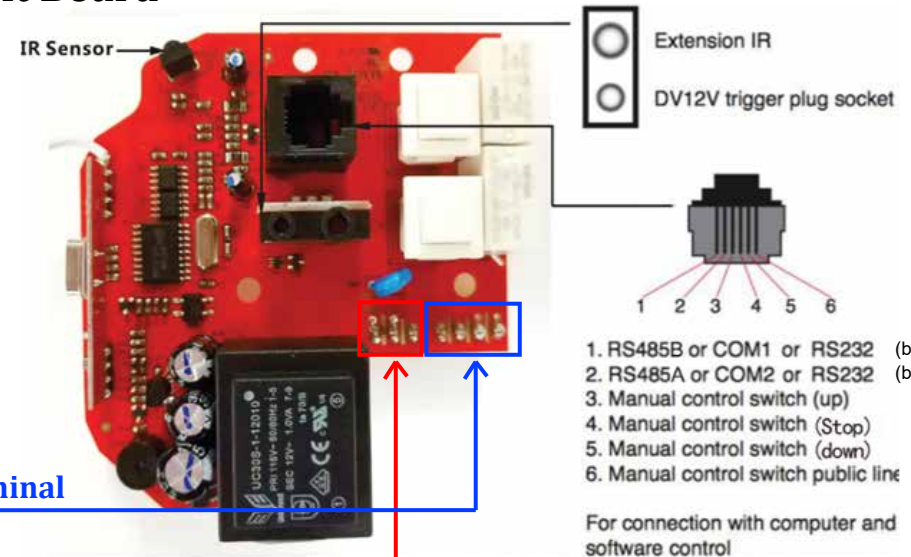
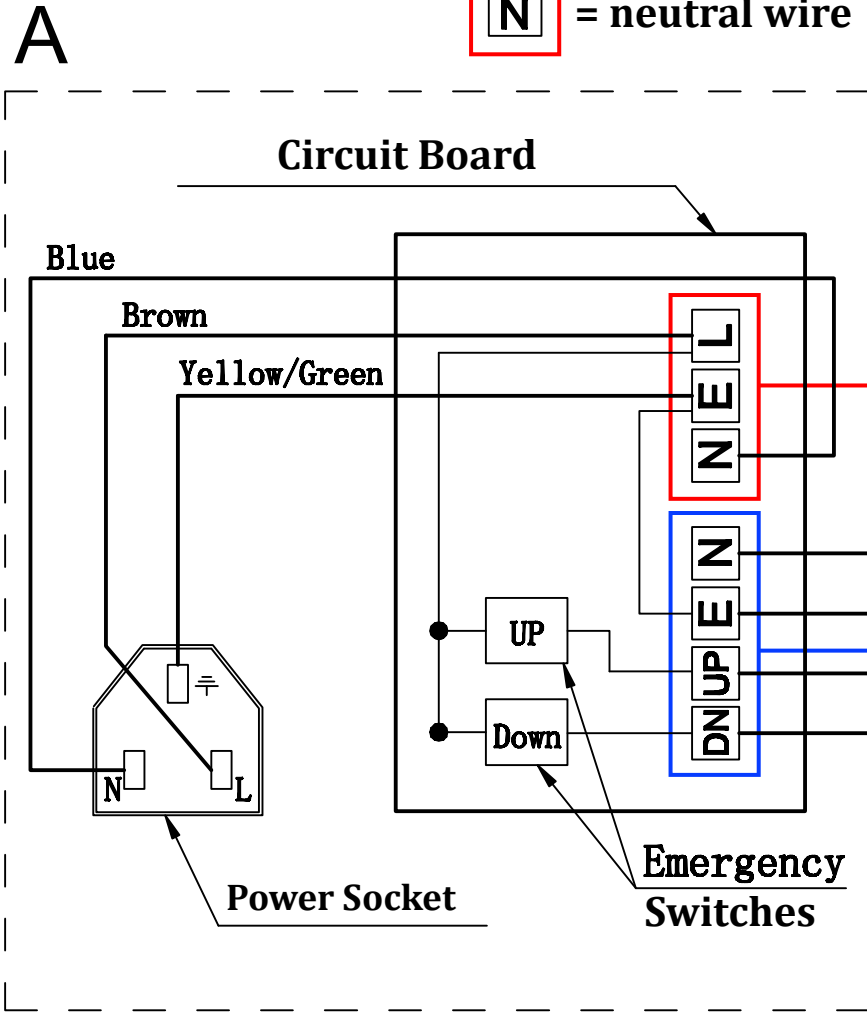


A Circuit Board

L = live wire
E = earth/ground
N = neutral wire

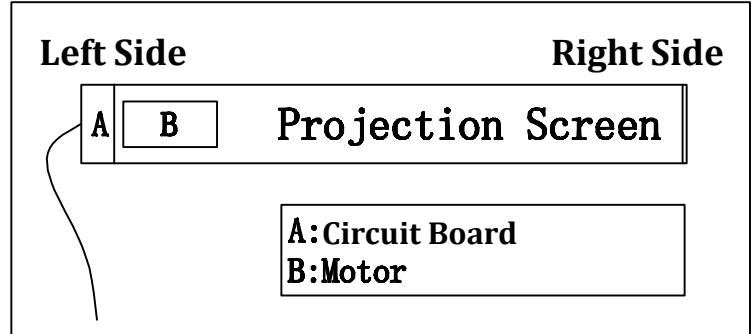
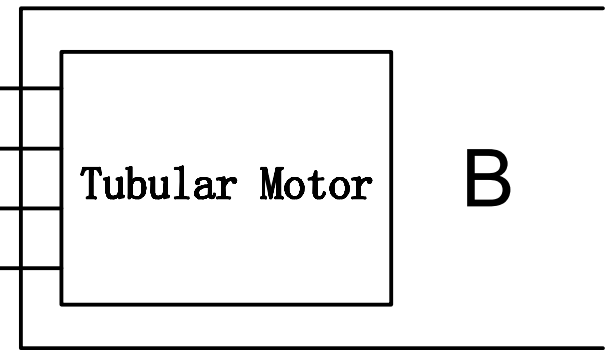


4-pin Terminal

3-pin Terminal

Attach the case

Blue	White
Yellow/Green	Green
Brown	Red
Black	Black



Starling 2/ Starling Tab-Tension 2
 Wiring Diagram (100-120V: ST/STT)