

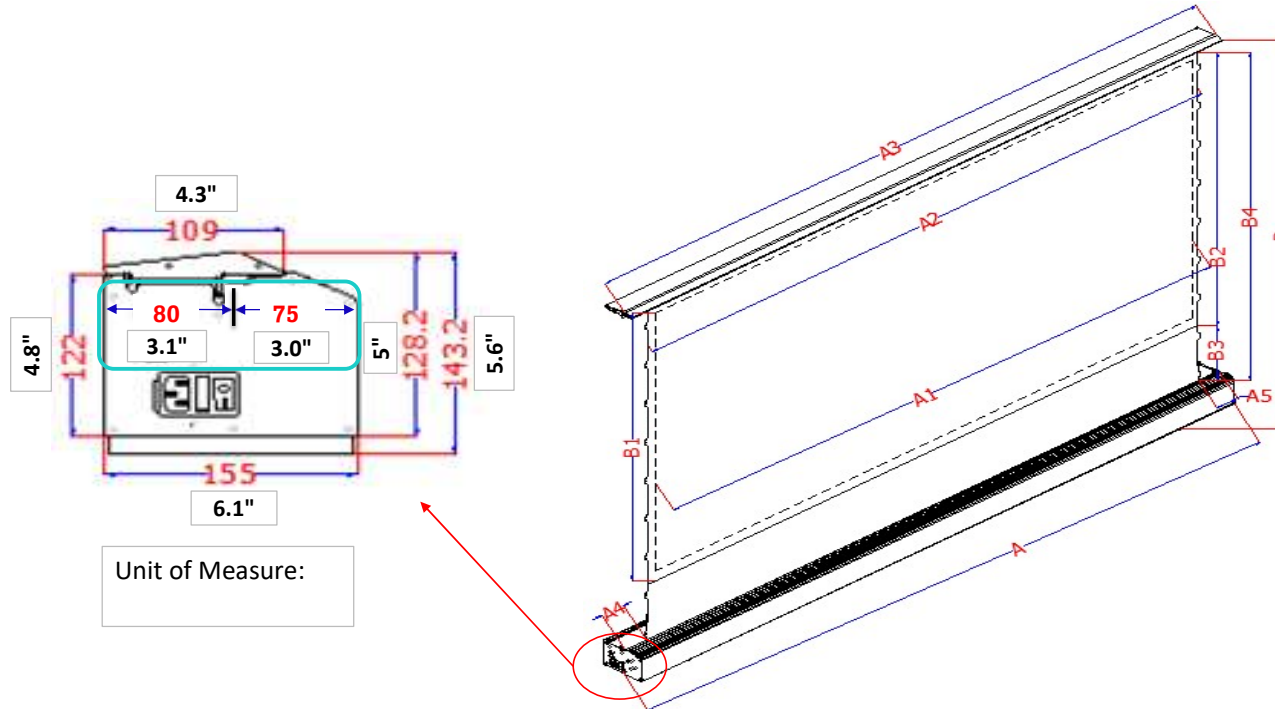
Kestrel Tab-Tension 2 CLR® Dimensions Table

Model Number	Nominal Diagonal	Aspect Ratio	Screen Material	Gain	Case Color	Case Length w/ out power plug (A)	Case Length w/ power plug (A)	Viewable Width (A1)	Screen Width (A2)	Top Cover Length (A3)	Left end to material distance (A4)	Right end to material distance (A5)	Overall Screen Height (B)	Viewable Height (B1)	Fabric Height (B2)	Bottom Black Border (B3)	Screen Material to back of case distance	Screen Material to front of case distance	Packaging Dims (LxWxH)			Net Weight	Gross Weight
<i>Unit: inch</i>																					lbs	lbs	
FTE101UH3-CLR	101"	16:9	StarBright CLR®	0.6	Black	98.2	98.9	88.0	88.9	97.2	3.8	3.4	65.4	49.5	51.7	8.0	3.1	3.0	107.9	10.8	10.2	57.3	70.6
FTE101XH3-CLR	101"	16:9	StarBright CLR®	0.6	White	98.2	98.9	88.0	88.9	97.2	3.8	3.4	65.4	49.5	51.7	8.0	3.1	3.0	107.9	10.8	10.2	57.3	70.6
FTE121UH3-CLR	121"	16:9	StarBright CLR®	0.6	Black	115.6	116.3	105.5	106.0	114.6	3.6	3.2	78.6	59.3	60.9	12.0	3.1	3.0	125.4	10.8	10.2	66.1	77.6
FTE121XH3-CLR	121"	16:9	StarBright CLR®	0.6	White	115.6	116.3	105.5	106.0	114.6	3.6	3.2	78.6	59.3	60.9	12.0	3.1	3.0	125.4	10.8	10.2	66.1	77.6
<i>Unit: mm</i>																					kgs	kgs	
FTE101UH3-CLR	101"	16:9	StarBright CLR®	0.6	Black	2493	2511	2236	2257	2468	96	87	1660	1258	1314	203	80	75	2740	275	260	26.0	32.0
FTE101XH3-CLR	101"	16:9	StarBright CLR®	0.6	White	2493	2511	2236	2257	2468	96	87	1660	1258	1314	203	80	75	2740	275	260	26.0	32.0
FTE121UH3-CLR	121"	16:9	StarBright CLR®	0.6	Black	2936	2954	2679	2693	2911	92	81	1996	1507	1548	305	80	75	3186	275	260	30.0	35.2
FTE121XH3-CLR	121"	16:9	StarBright CLR®	0.6	White	2936	2954	2679	2693	2911	92	81	1996	1507	1548	305	80	75	3186	275	260	30.0	35.2

Note : Data Error may be ±1"

The listed measurements are for general reference only. Please contact Elite Screens to verify product design and dimensions before attempting to integrate its products with any structural or furniture modification. Although a manufacturer may offer product advice, it may be taken or disregarded at the integrator's discretion. Elite Screens will not be held responsible or be otherwise liable for faulty installations.

Screen materials may expand and contract slightly over time. Elite Screens allows a 1.5% tolerance within the viewing surface.



Unit of Measure: