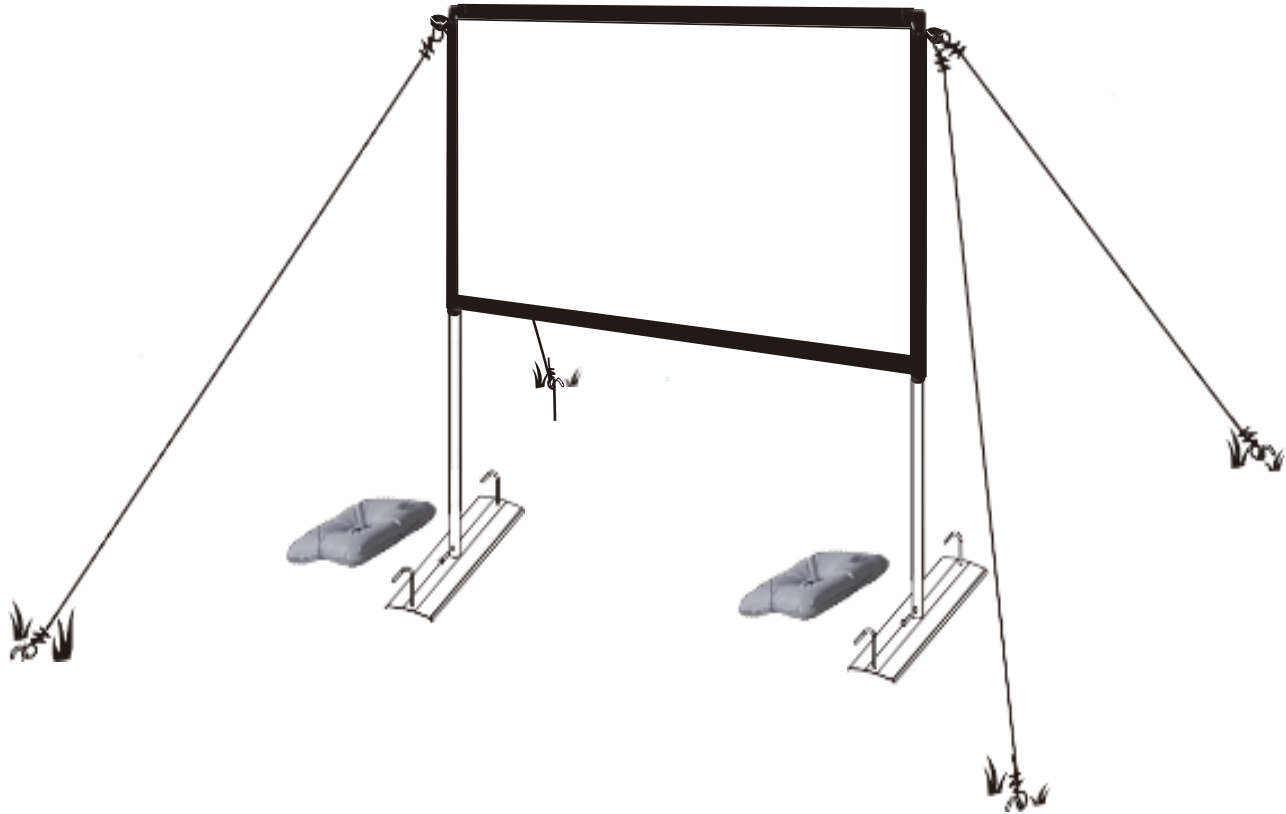


125" (16:9)








Visit www.elitescreens.com/ymlite-assemble or
Scan QR code for our how to assemble video


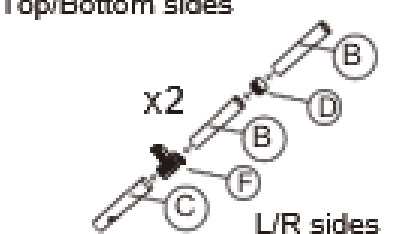


Warning

- The warranty will only be valid if screen is used for its intention. Misuse, abuse, negligence, accidental damage, or damages caused by environmental factors are not covered under warranty.
- Improper use and operation may cause serious injury and / or damage to the screen, use only as directed.
- **Do not use in environments with winds speeds more than 4 MPH**
For example, wind speeds between 4-7 MPH consist of visual clues of wind speed as follows. Light breeze – Wind felt on face, leaves rustle and small twigs move. Wind vanes move.
- To prevent damage, the operation and maintenance of the screen should be done by adults only.
- Make sure the surface for placing the screen is flat and secure.
- Please read the following as any damage to the screen surface will impact the image's quality:
 1. Avoid touching the screen's viewing surface are with your hands.
 2. Do not write or draw on the screen surface.
 3. Do not poke the screen surface with your finger or sharp tools, as it can cause permanent damages or tearing of the fabric.

 Ignoring the safety warnings may lead to injuries and damaging the product.	 The screen should be installed in a secure and stable place to avoid any accidents or the screen falling.
 Put the screen away after every use. Leaving the screen for a long period may cause the screen fabric to sag.	 Avoid hanging anything on the screen as it may cause the screen to fall and damaging the product.
 Do not replace with unknown parts, if replacement parts are needed, please contact service@elitescreens.com	

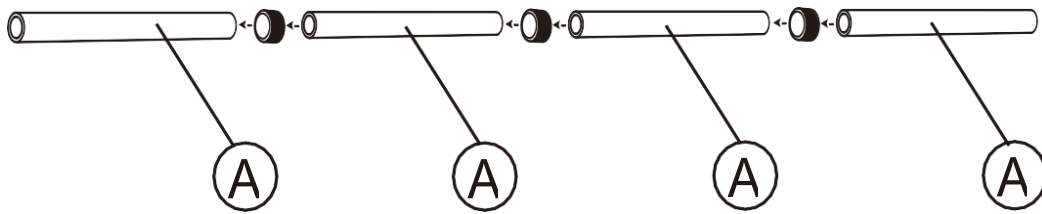
Parts List

 <p>x 1</p> <p>x 1</p> <p>Top/Bottom sides</p>	<p>(85 cm / 25.6" each)</p> <p>A) Tube x 8</p> <p>D) Straight joint x 6</p> <p>E) Elbow joint x 2</p>	<p>Ground Stakes x8</p> <p>Base x2</p>
 <p>x 2</p> <p>L/R sides</p>	<p>(74 cm / 29.1" each)</p> <p>B) Tube x 4</p> <p>C) Tube x 2</p> <p>D) Straight joint x 2</p> <p>F) T-joint x 2</p>	<p>Pin x2</p> <p>Tethering Rope x4</p> <p>Water bag x2</p>

Product specifications are subject to change.

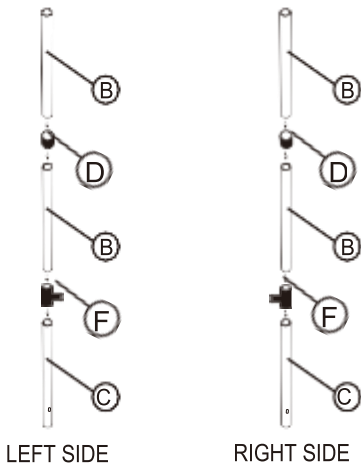
Assembly

1



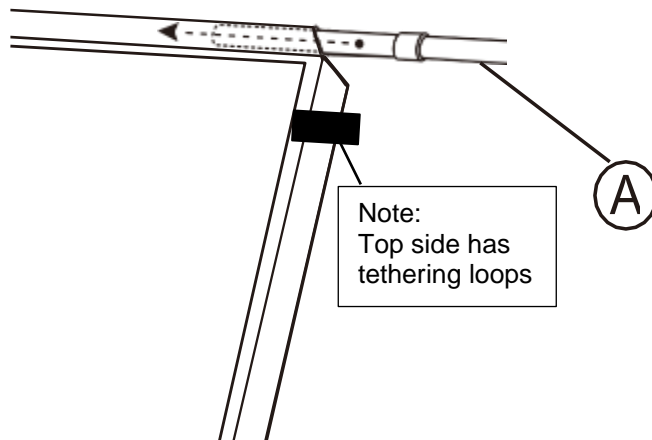
Join 4x "A" tubes with the straight joint "D" to assemble each top/bottom crossbar.

2



Join 2 x "B" tubes and 1 x "C" tube together using a straight joint "D" and a T-joint "F" to assemble the left/right sides.

3



Note:
Top side has
tethering loops

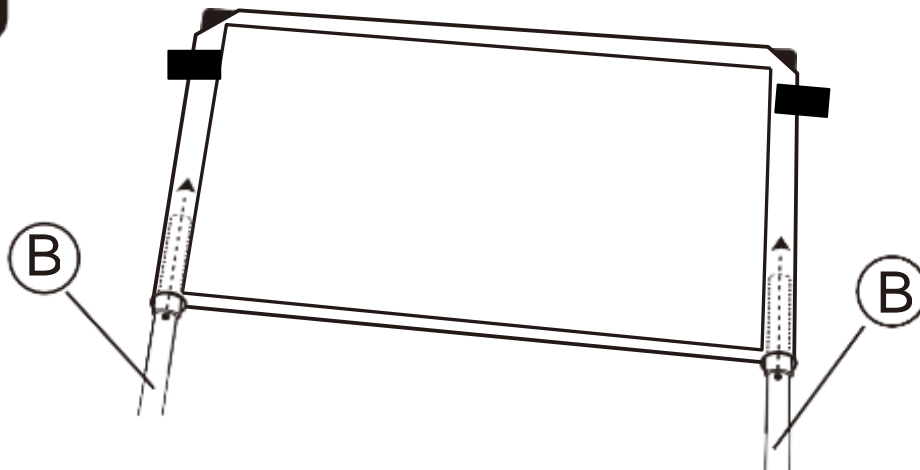
Put a top/bottom crossbar through the upper side of the material.

4



Attach and secure the joints at both ends of the top/bottom crossbars.

5



Insert the L/R sides through the material and secure to the joints.

6



Note:

Use the tethering rope and stakes to stabilize the screen on grass or soil ground.

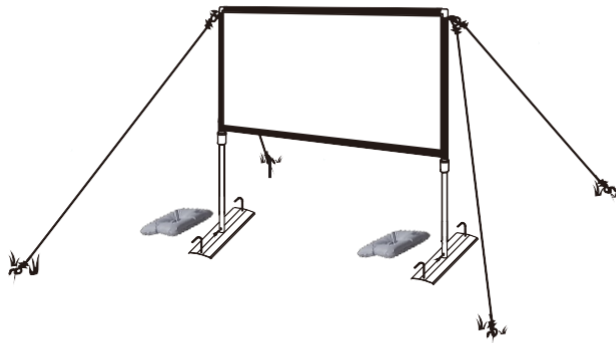
4 stakes used on base and 4 stakes used on tethering ropes.

Water bags can also improve stability and prevent screen from falling.

Insert the L/R sides to the base and secure with the pins.
Assembly is complete.

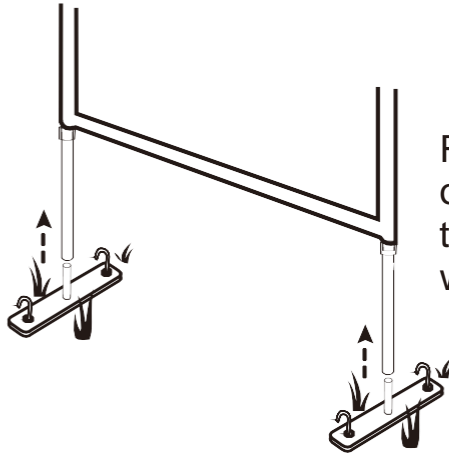
Disassembly

1



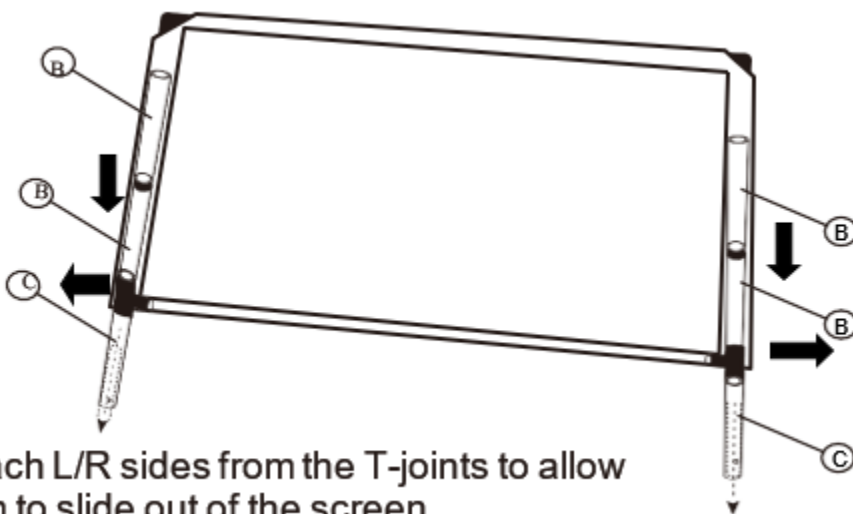
Remove the stakes from the tethering ropes and base. Then remove the tethering ropes from the screen.

2



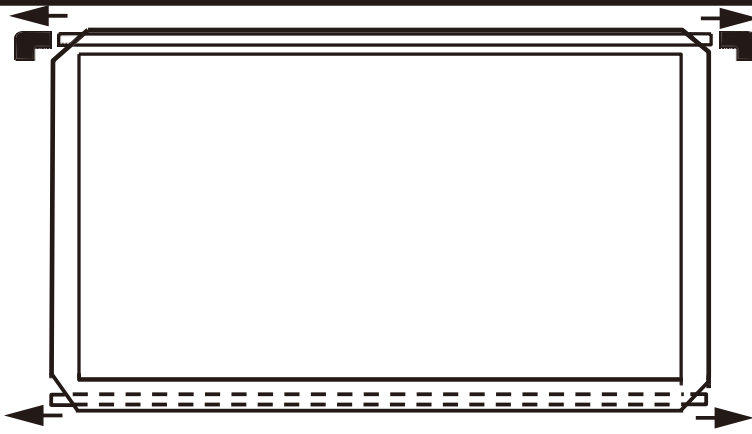
Remove the pins, pull out the L/R posts from the base and remove the water bags.

3



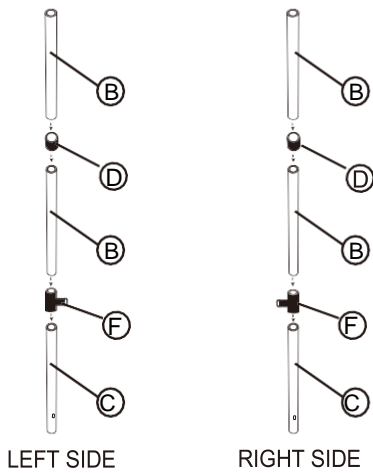
Detach L/R sides from the T-joints to allow them to slide out of the screen.

4



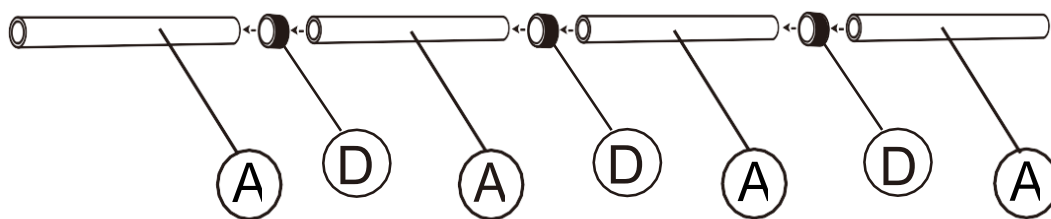
Remove the elbow joints at both ends of the top crossbar and slide both top/bottom crossbars out of the screen.

5



Disassemble the L/R posts by disjoining the straight and T-joints.

6



Disassemble the Top/Bottom posts by disjoining the straight joints.