



In-Ceiling Electric Motorized Front Projection Screen

Evanescence Series

User's Guide

This Product is Designed for Integrators

This user manual is written for the comprehension of licensed professional installers/integrators experienced in building and electrical wiring codes.

DIY "do-it-yourself" enthusiasts should consult a professional for assistance

Important Safety & Warning Precautions

Make sure to read this user's guide and follow the procedures below.

Caution: The screen material's Top Black Masking Border is already set to its maximum drop level. Beyond this, there is NO extra black masking on the roller at the top of the screen. Please be aware of this as dropping the material off the roller will void your warranty with Elite Screens. Unapproved alterations/modifications to this unit (except for splicing the power cord into hardwire installations) are prohibited and will also void your warranty. For more information, please contact our Technical Support Department at techsupport@elitescreens.com

- Please retain this user's guide for future reference.
- To avoid damaging the Evanescence screen, do not use it with any accessories not authorized by the manufacturer.
- Handle the screen unit carefully during transportation to avoid any shipping damages.
- To ensure safe and reliable operation, a direct connection with a properly grounded power source is advised.
- The power outlet supplying power to the Evanescence screen should be close to the unit and easily accessible.
- Do not install the screen into uneven or inclined ceilings.
- To avoid an electric shock or a short circuit, do not expose the screen to dampness.
- Do not place any heavy objects on top of the power cord.
- Position the power cord in compliance with IEC/NEC electrical codes and local building codes.
- Never overload the power cord. Always make sure that the contact is firm to a suitable, constant power source.
- The internal & external parts of the Evanescence screen are not to be modified or tampered with by end users. Only an authorized technician should open the metal casing or attempt repairs.
- If there is a need to use an extension cord, make sure the cord has an equal rating. Consult NEC guidelines for more information.
- Use properly insulated electrician's clothing/equipment during any installation of electronics. Do not handle the power plug if your hands are wet or your feet are in contact with water.
- When product reaches the end of its operational lifespan, properly dispose of this product in accordance with the environmental regulations of your local area.

Do not use this unit under the following circumstances.

- If the product is in direct contact with water, soil, rain, weather, or moisture.
- Avoid direct sunlight on the product. UV radiation damages synthetic materials with prolonged exposure.
- Keep away from fire and other sources and high temperature.
- Disconnect the power supply first before transporting or maintenance.
- To avoid possible injury and/or an electric shock, do not attempt to use this screen if there is any indication that the product is damaged.

Installation Warning

The instructions provided within this user's guide are for reference only. Please consult a professional installer for further installation and safety advice. The installer must ensure that proper mounting hardware is used to provide adequate strength suitable for the installation. Elite Screens is not liable for any faulty installations.

The Screen's **Top Black Drop** is already set to its maximum drop distance. There is **NO** extra top black drop in the roller. Please be aware of this as it will void the limitation of your warranty.

Individual modifications to this product are prohibited and will void the warranty with the manufacturer. Please contact Elite Screens Customer Service for any questions.

NOTE:

This equipment has been tested and found to comply with the limits for a Class B digital device, pursuant to Part 15 of the FCC Rules.

These limits are designed to provide reasonable protection against harmful interference in a residential installation. This equipment generates and can radiate radio frequency energy and, if not installed and used in accordance with the instructions, may cause harmful interference to radio communications.

However, there is no guarantee that the interference will not occur on a particular installation. If this equipment causes harmful interference to radio or television reception, which can be determined by turning the equipment off and on, the user is encouraged to try to correct the interference by one or more of the following measures.

- ✓ **Reorient or relocate the receiving antenna of the device which may be causing the interference.**
- ✓ **Increase the separation between the screen and the device's receiver.**
- ✓ **Connect the equipment into a different power outlet other than the device.**

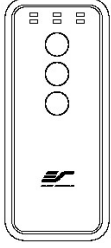




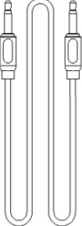

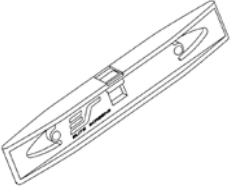
Pre-Installation

1. Carefully unpack the screen.
2. Always handle the screen in a leveled position on a clean surface.
3. In order to protect the screen from exposure to stains, keep the screen out of contact with foreign particles such as dust, sawdust, and/or liquids.

NOTE

Regardless of the mounting method, the screen should be securely supported so that the vibration or pulling on the viewing surface will not cause the casing to become loose or fall. The installer must insure the fasteners that are used are of adequate strength and suitable for the installation location.

Evanesce Series| Controls and Accessories

A. IR Remote	B. RF Remote	C. Wall switch control box	D. 5-12 volt trigger cable
			 Red 12V Green 0V
E. IR extended "eye" receiver	F. Wireless 5-12v (3.5 mm) mono trigger cable	G. AAA batteries	H. Bubble leveler
			

Screen operation

Electric Current: Depending upon region, your Elite Screen will operate on 100v, 110v, or 220v voltage.

1. After ensuring the power outlet & screen are compatible (voltage), plug the power cord into the power outlet.
2. Once the screen has power, you'll be able to control it using any of the 6 methods described below.

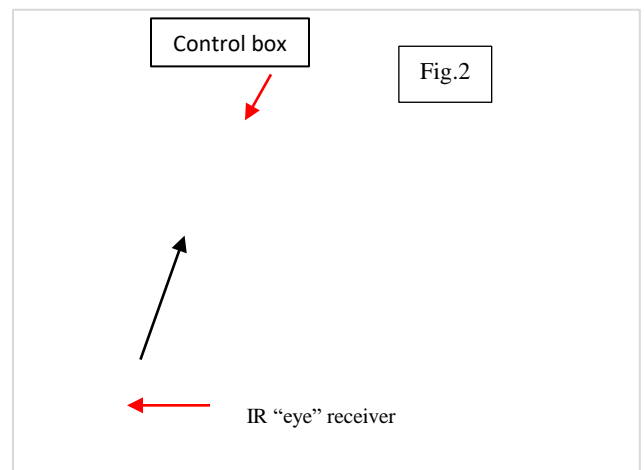
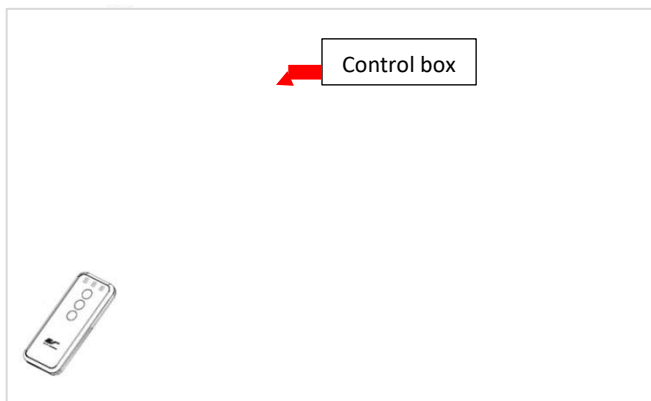
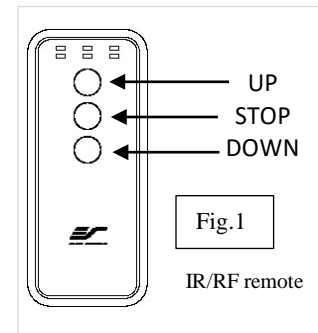
6 ways to control your Evanesce

1. **IR remote control** (Item A, Fig 1): The Infrared functions by direct line of sight contact with a beam range of 30 feet. Aim the IR remote at the "eye" receiver once it has been connected to the control box's RJ45 port.

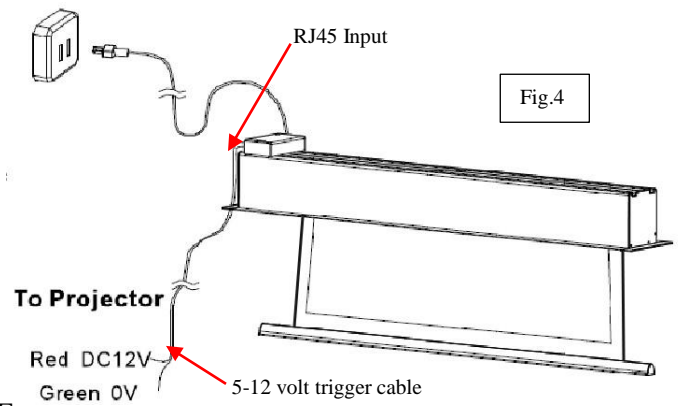
2. **IR "Eye" Receiver** (Item E, Fig 2): The IR "Eye" Receiver plugs directly into the control box's RJ45 port to present a low profile line-of-sight control option for your IR remote control even in a recessed ceiling installation.

3. **RF Remote Control** (Item B): The radio waves eliminate the need for a direct line of sight with a range of 100 feet.

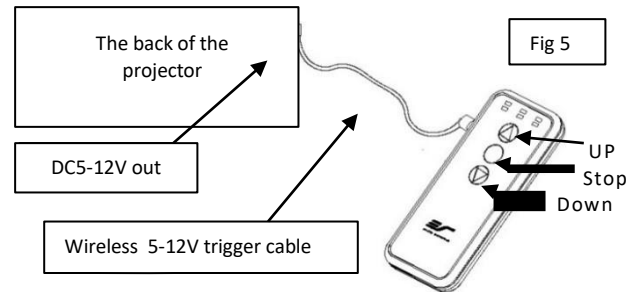
4. **3-Way Wall Switch** (Item C, Fig 3): The 3-way wall switch is a wall mount switch with an up/stop/down button and plugs directly into the control box's RJ45 port.



5. 5-12 volt trigger (Item D, Fig 4): The built-in 5-12V trigger input allows your screen to synchronize its drop & rise with the projector's power cycle. The screen deploys when the projector powers up and will retract when the projector powers down. The 5-12 volt RJ45 cable connects to your projector's trigger output via a separate cable. This may or may not be provided with the projector. The trigger feature will not work without an output cable from the projector, but it can be tested by connecting the Red (+) and Green (-) wire connections to a 9-volt battery.



6. Wireless 5-12 volt trigger (Item F, Fig 5): The RF remote control serves a dual purpose. It can be used as a handheld remote control, or in conjunction with the Wireless 5-12 volt trigger cable. The radio frequency technology can be programmed to send a wireless signal that synchronizes the screen's drop/rise with the projector's power cycle.



Here's how to set up your Wireless 5-12 volt trigger | Synchronization Instructions

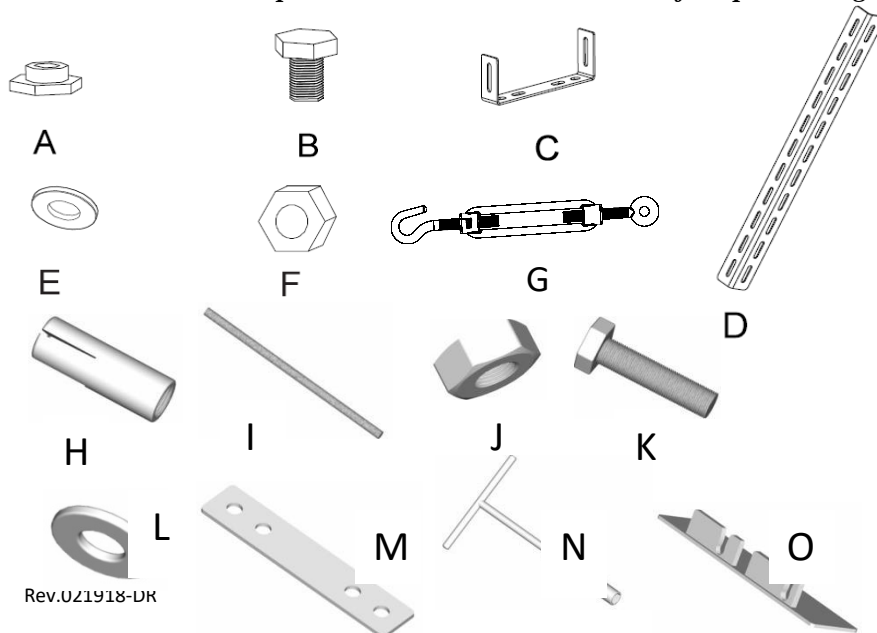
- Step 1:** Connect one end of the 3.5 mm wireless 5-12 volt trigger cable to the RF remote.
- Step 2:** Connect the other 3.5 mm end of the wireless 5-12 volt trigger cable to your projector
- Step 3:** Make sure to unplug your screen from the power outlet
- Step 4:** Hold the **UP** button on your RF remote
- Step 5:** While holding the **UP** button, plug the screen back to the power outlet
- Step 6:** Wait 5 seconds and then release the **UP** button
- Step 7:** Your 5-12V wireless trigger should now be activated with your screen and ready to be used and able to control your screen with your projector's power cycle

Repeat the steps again if not successful.

(Please be aware, the projector on/off cycle may take longer to fully activate. It usually takes around 20-30seconds for full off and on cycle each time)

Hardware Parts List for Evanesce Series

Please make sure all parts listed below are included before proceeding with the installation.



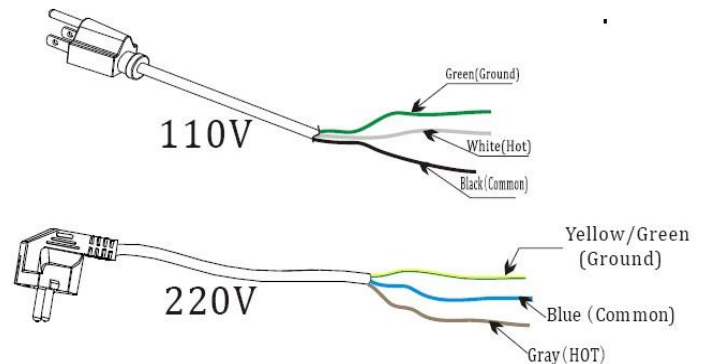
Hardware Parts List	QTY
A. Case Rail Nut	4-6
B. Hex Screw	4-6
C. Hanging Bracket	2-3
D. Suspension Bar	4
E. Washer	8-10
F. Hex Nut	4-6
G. Suspension Bar J- Hook	4
H. M8 Top Expanding Bolt	4
I. M8 Threaded Rod	4
J. M8 Screw Nut	20
K. M8 Hexagonal Screw	4
L. M8 Screw Washer	28
M. Installation Bracket	2
N. Socket Wrench	1
O. White cover flange panel	2

Installation Instructions – **DIY Installers Should Consult a Professional Integrator**

The Evanesce is designed to be accessible from either above ceiling (attic) or below ceiling (room) so that it can be installed either way. Please follow the instructions described in the following steps below.

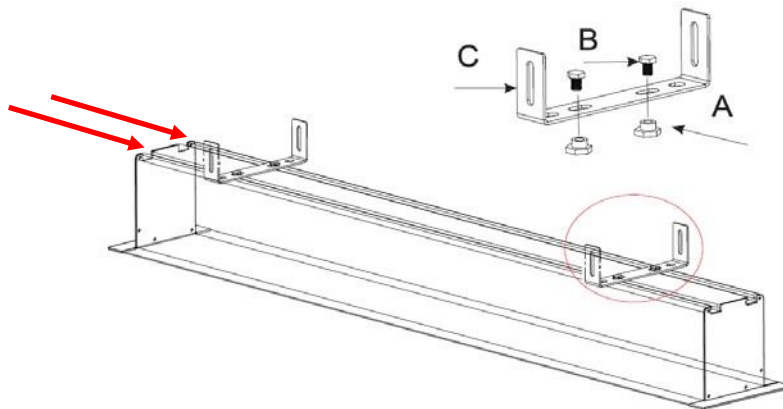
Power Connection

The Evanesce Series includes a 3-Prong Power Cord (2-Prong Power Cord for other countries) to be used in either a power outlet or a hardwire connection. Please refer to the image below for both 110v & 220v wiring information.

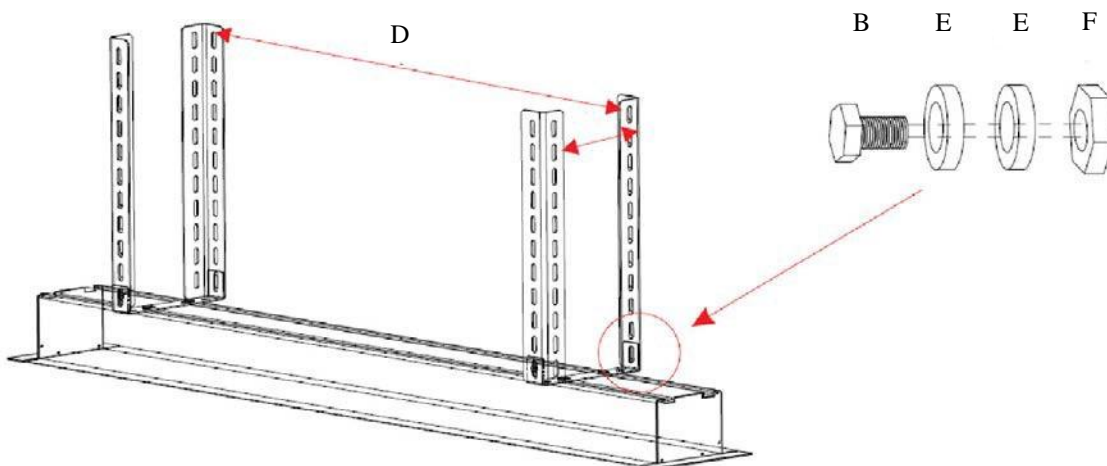


A. Installation from Above-Ceiling Assembly

1. Insert the Hex Screw (B) through the Hanging Bracket's (C) connection port and secure with the Case Rail Nut (A). Slide the Hanging Bracket (C) through the railing on top of the case to align with suspension bars or another load-bearing structural element.

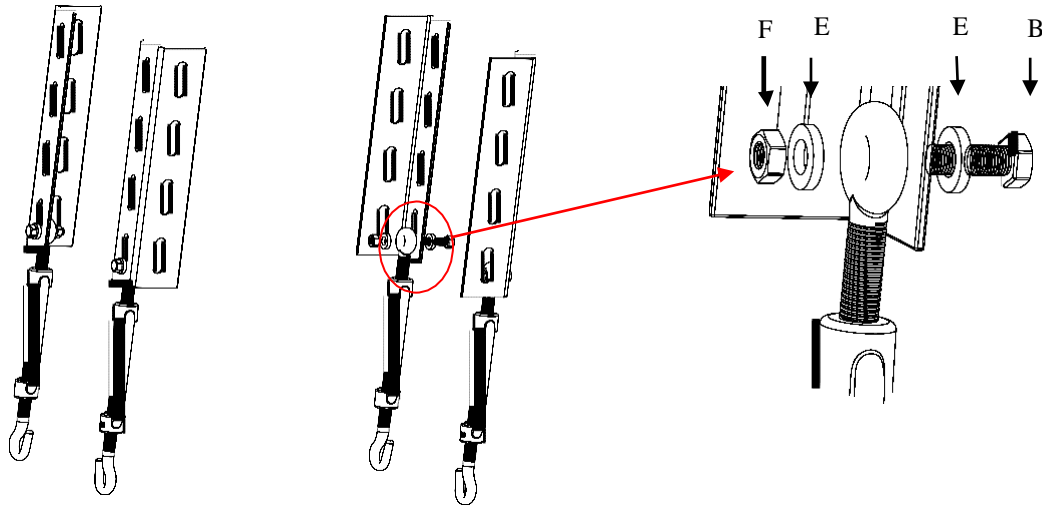


2. Align the Suspension Bar (D) with the Hanging Bracket (C). Secure the Suspension Bar in this order; (D) with the Hex Screw (B), Washer (E) and the Hex Nut (F). Install the Suspension Bars (D) to your structure's internal framework.

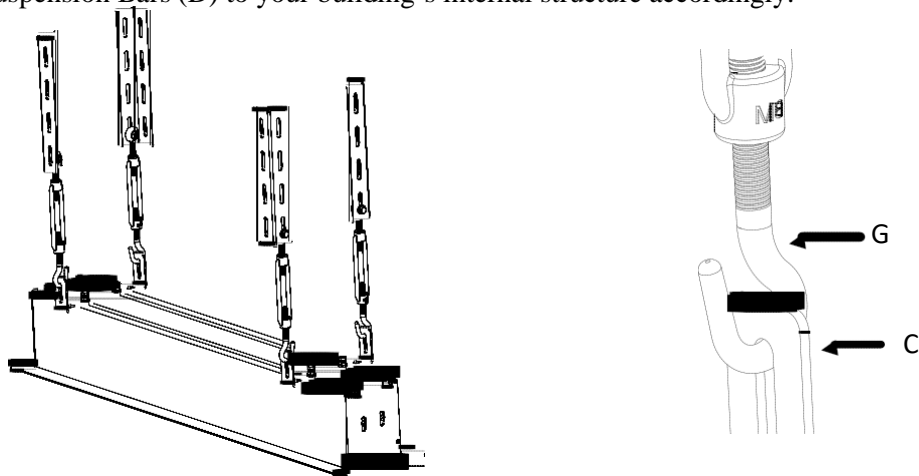


Optional Suspension Bar J-Hook Attachment (G)

1. Attach the Suspension Bar J- Hook (G) to the bottom of the Suspension Bar (D) and secure with the Hex Screw (B), Washer (E) and Hex Nut (F).



2. Attach the Suspension Bar J-Hook (G) to the Hanging Bracket (C) as shown in figure below. Install the Suspension Bars (D) to your building's internal structure accordingly.



Optional Installation (parts & hardware not included)



Screw bolt X 4

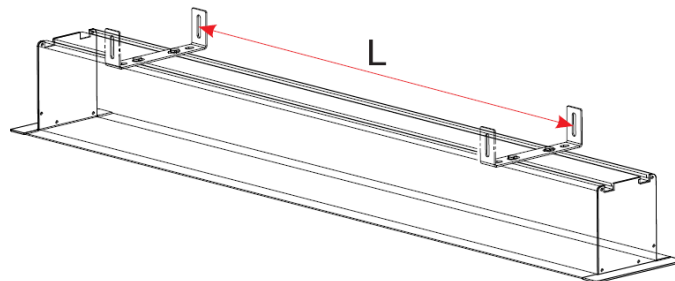


Washer X 8

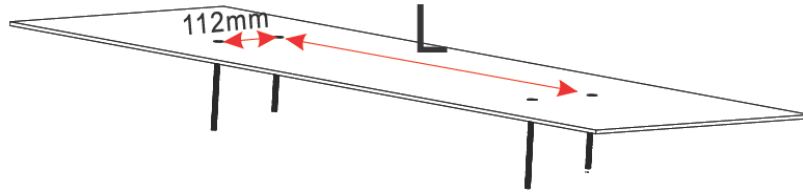


Nut X 8

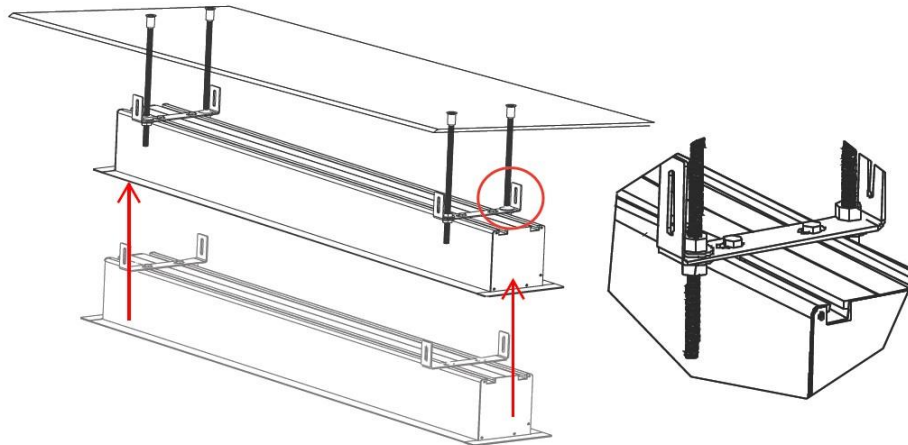
1. Place the Hanging Bracket (C – above right) in the desired location on the screen's housing and measure the distance as shown below. (L = Distance)



2. Mark the corresponding location of where the screen will be installed according to the matching distance (L). Then, secure the bolt to the ceiling.



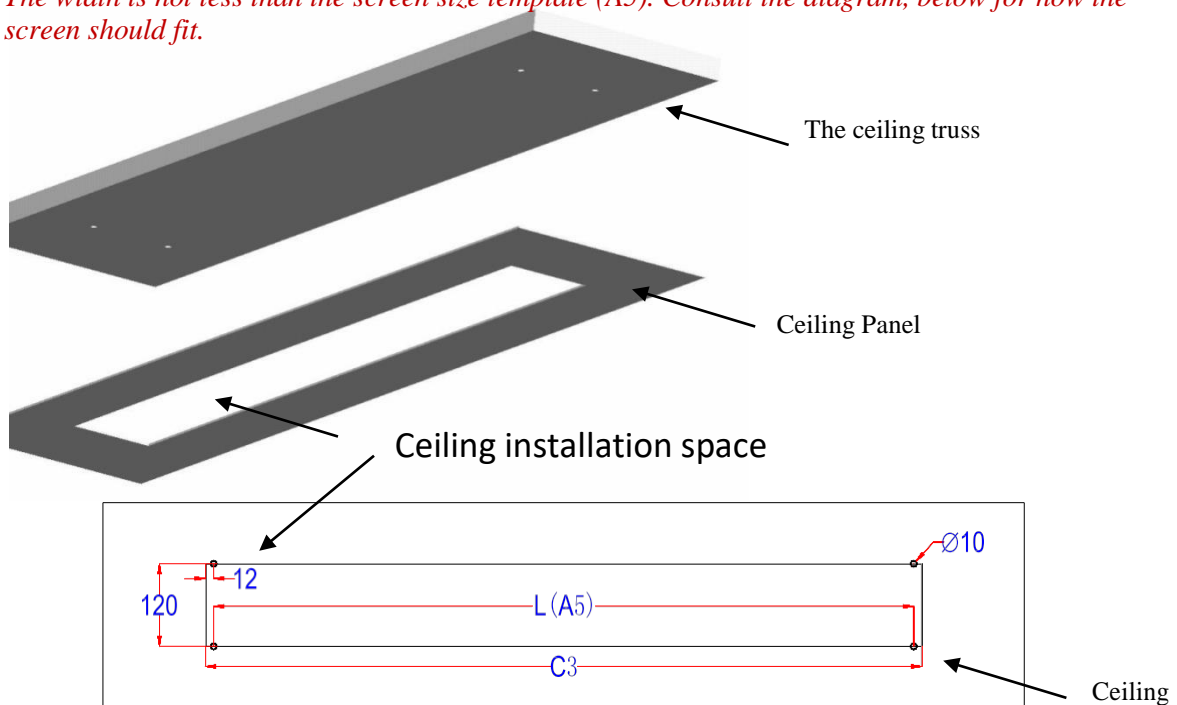
3. Install the screen to the screw bolt as shown in the figure below.



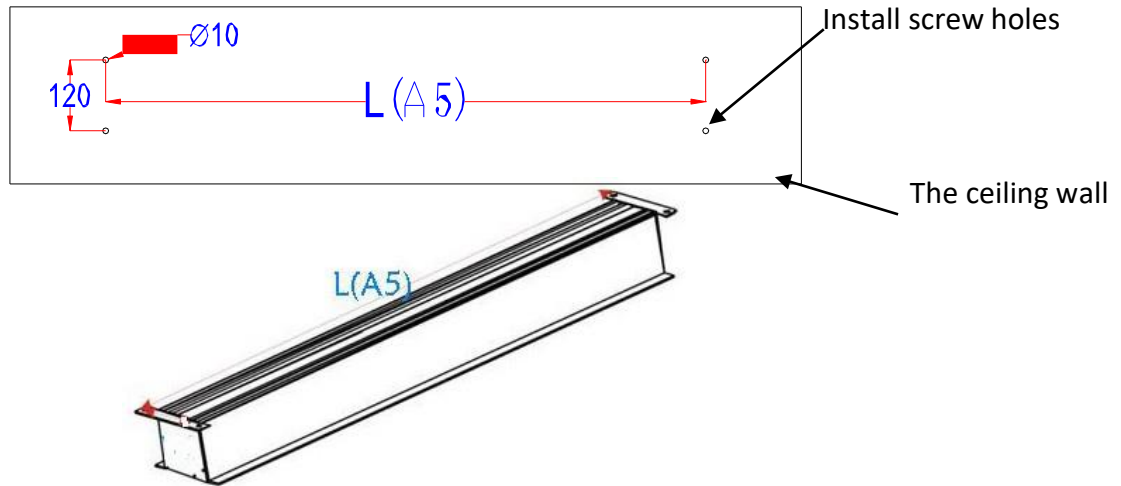
B. Installation from Below Ceiling

1. Measure and cut the ceiling installation template. The width should not exceed 120mm. **Note: Please refer to the length on the screen size table. (C3).*

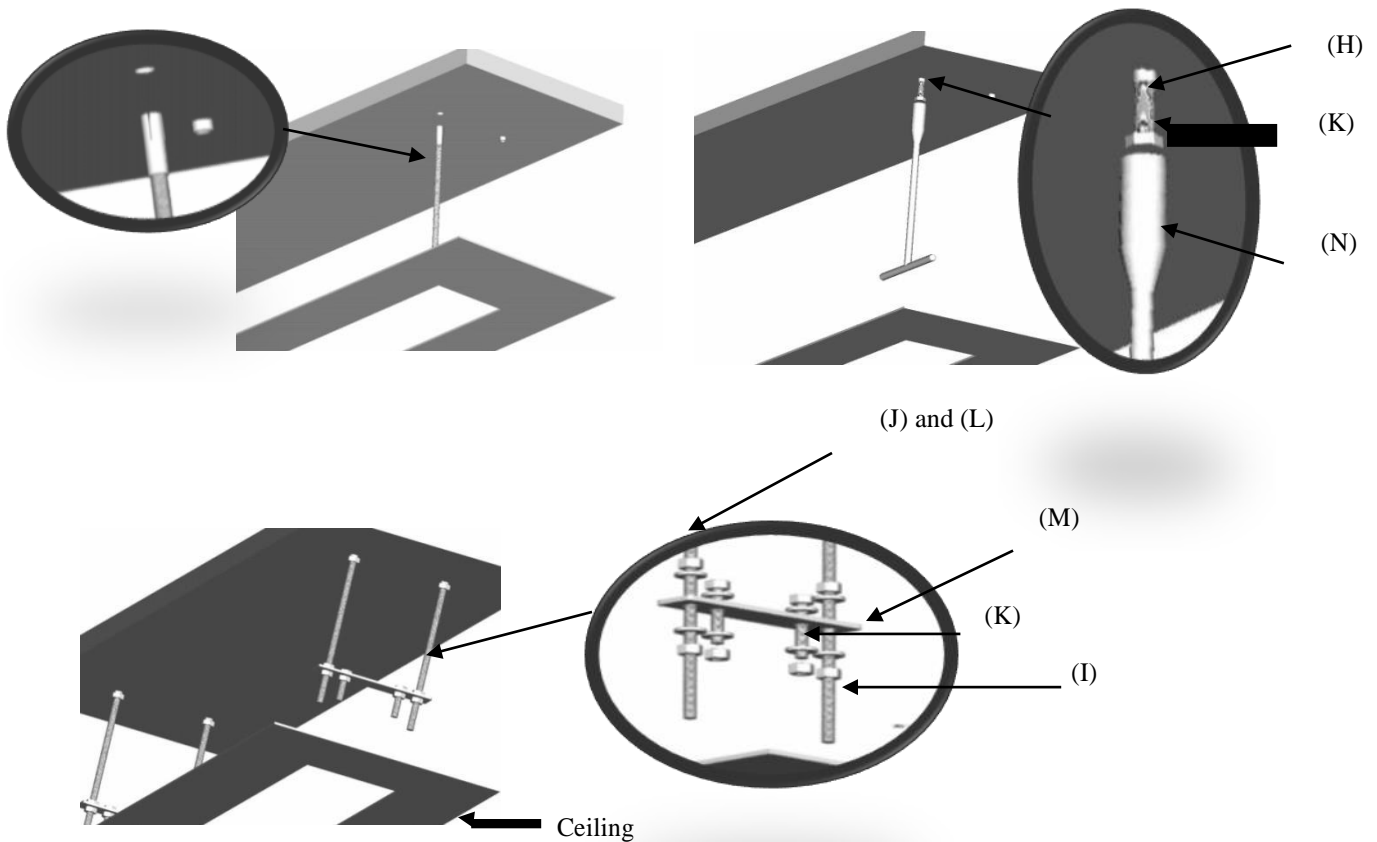
Installer Note: *The length of the installation space is not greater than the screen size template (C3). The width is not less than the screen size template (A5). Consult the diagram, below for how the screen should fit.*



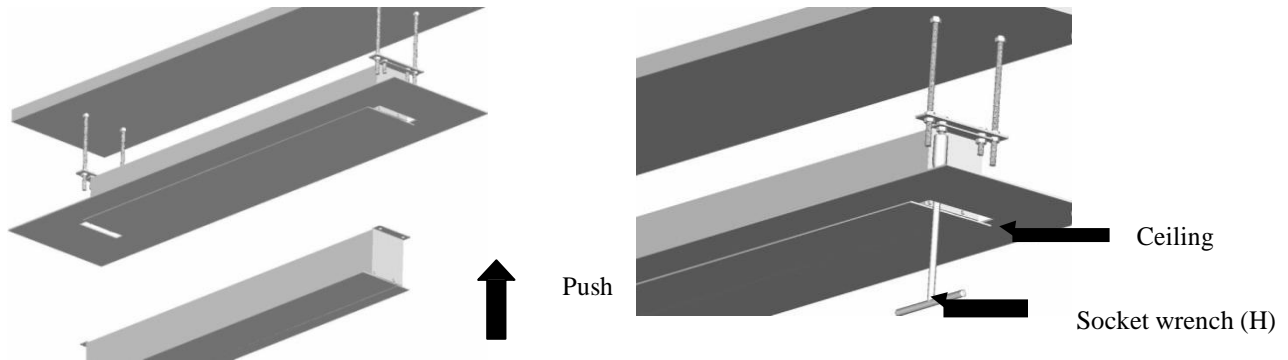
2. Drill 4 holes in the ceiling that correspond with the attachments on the various casing sizes.



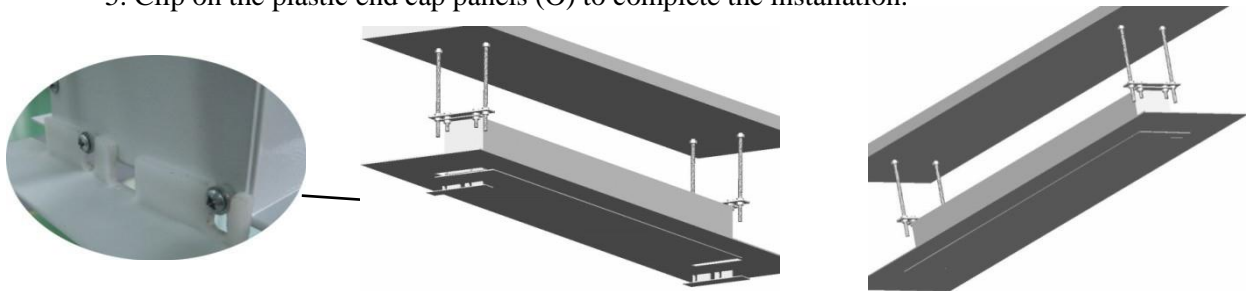
3. The expanding bolts (H) mount into thick wood beams, stone or concrete. They will support the screen. Use the Socket wrench (N) to attach the hexagonal screws (K). The expanding bolts should be firmly tightened and tested to make sure that they will support the screen's weight.



4. Push the screen up into the ceiling space. Use the threaded rods (I) to attach the screen assembly to the ceiling's internal framework. The hexagonal screws (K) will connect the screen to the rest of the assembly. Once firmly in place, use the nuts (J) will ensure a firm connection. Use the socket wrench (N) to make sure that the bolts are firmly tightened.



5. Clip on the plastic end cap panels (O) to complete the installation.



For Additional Service, Please Contact Elite Screens Technical Support,
Email: www.info@elitescreens.com
Website: www.elitescreens.com