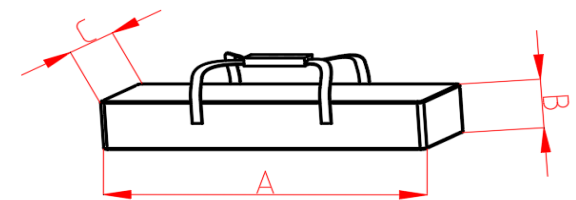
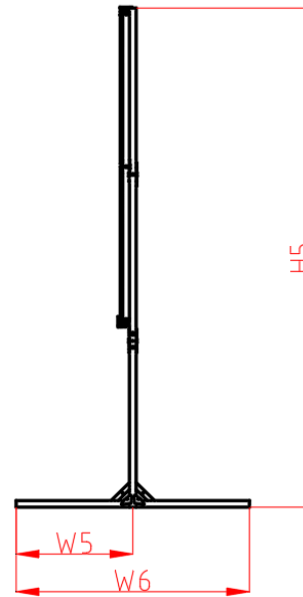
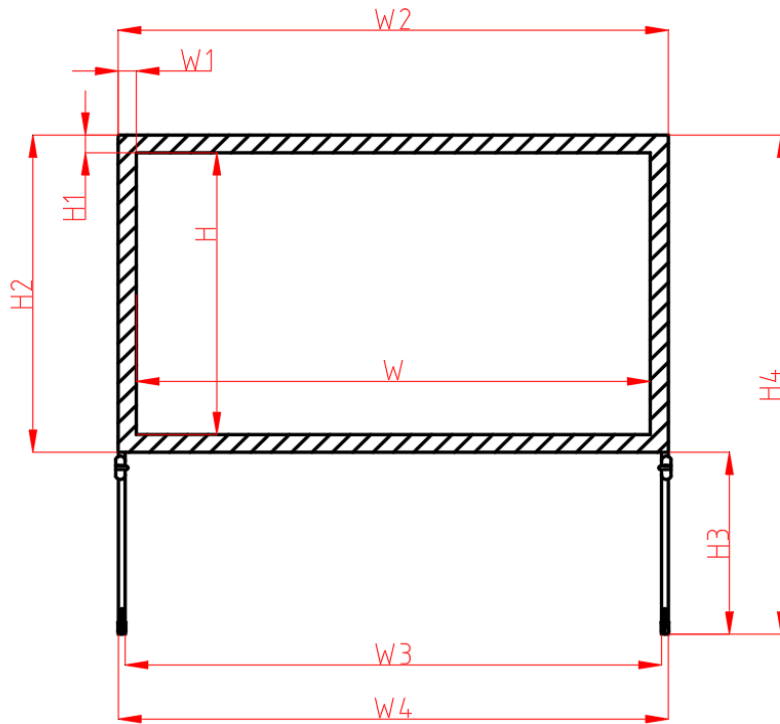


Light-On CLR® 2 M-Type Dimensions Table

Model	Nominal Diagonal	Screen Material	Gain	View Width (W)	Left/Right Border (W1)	Screen Width (W2)	(W3)	Frame Length (W4)	(W5)	Legs fully extended (W6)	View Height (H)	Top/Bottom Border (H1)	Screen Height (H2)	Bottom of Frame to Ground (H3)	Top frame to ground (H4)	Frame Height (H5)	Lowest Point (H6)
Unit: Inch																	
LPS103H-CLR2	103"(16:9)	CLR® 2	Gain 0.8	90.0	3.0	95.9	93.3	95.9	20.6	41.1	50.8	3.0	56.7	4.1" ~ 39.5"	60.3" ~ 96.6"	88.6	60.8
LPS123H-CLR2	123"(16:9)	CLR® 2	Gain 0.8	106.7	3.0	112.6	110.1	112.6	24.5	49.0	59.1	3.0	65.0	2.9" ~ 50.2"	67.2" ~ 115.6"	106.3	67.9
Unit: mm																	
LPS103H-CLR2	103"(16:9)	CLR® 2	Gain 0.8	2285	75	2435	2371	2435	522.5	1045	1290	75	1440	104 ~ 1003	1531 ~ 2453	2250	1545
LPS123H-CLR2	123"(16:9)	CLR® 2	Gain 0.8	2710	75	2860	2796	2860	622.5	1245	1500	75	1650	73 ~ 1275	1706 ~ 2936	2700	1725

Note: Data error may be +/- 1"

The listed measurements are for general reference only. Please contact Elite Screens to verify product design and dimensions before attempting to integrate its products with any structure or furniture modifications. Although a manufacturer may offer product advice, it may be taken or disregarded at the integrator's discretion. Elite Screens will not be held responsible or be otherwise liable for faulty installations.



Light-On CLR® 2 M-Type Dimensions Table

Highest Point (H7)	Frame Width	N1	N2	N3	N4	N5	N6	N7	N8	N9	Carrying Bag Length (A)	Carrying Bag Height (B)	Carrying Bag Width (C)	Packing (LxWxH)			Net Weight	Gross Weight
Unit: Inch																	Lbs	
96.3	1.3	60.8	66.7	72.6	78.5	84.4	90.4	96.3	none	none	64.6	6.3	13.4	66.5	14.6	8.3	29.7	40.7
115.2	1.3	67.9	73.8	79.7	85.6	91.5	97.4	103.3	109.3	115.2	73.6	6.3	13.4	76.8	14.6	8.3	36.5	46.9
Unit: Inch																	Kgs	
2445	32	1545	1695	1845	1995	2145	2295	2445	none	none	1640	160	340	1690	370	210	13	18
2925	32	1725	1875	2025	2175	2325	2475	2625	2775	2925	1870	160	340	1950	370	210	16	21

Note: Data error may be +/- 1"

The listed measurements are for general reference only. Please contact Elite Screens to verify product design and dimensions before attempting to integrate its products with any structure or furniture modifications. Although a manufacturer may offer product advice, it may be taken or disregarded at the integrator's discretion. Elite Screens will not be held responsible or be otherwise liable for faulty installations.

