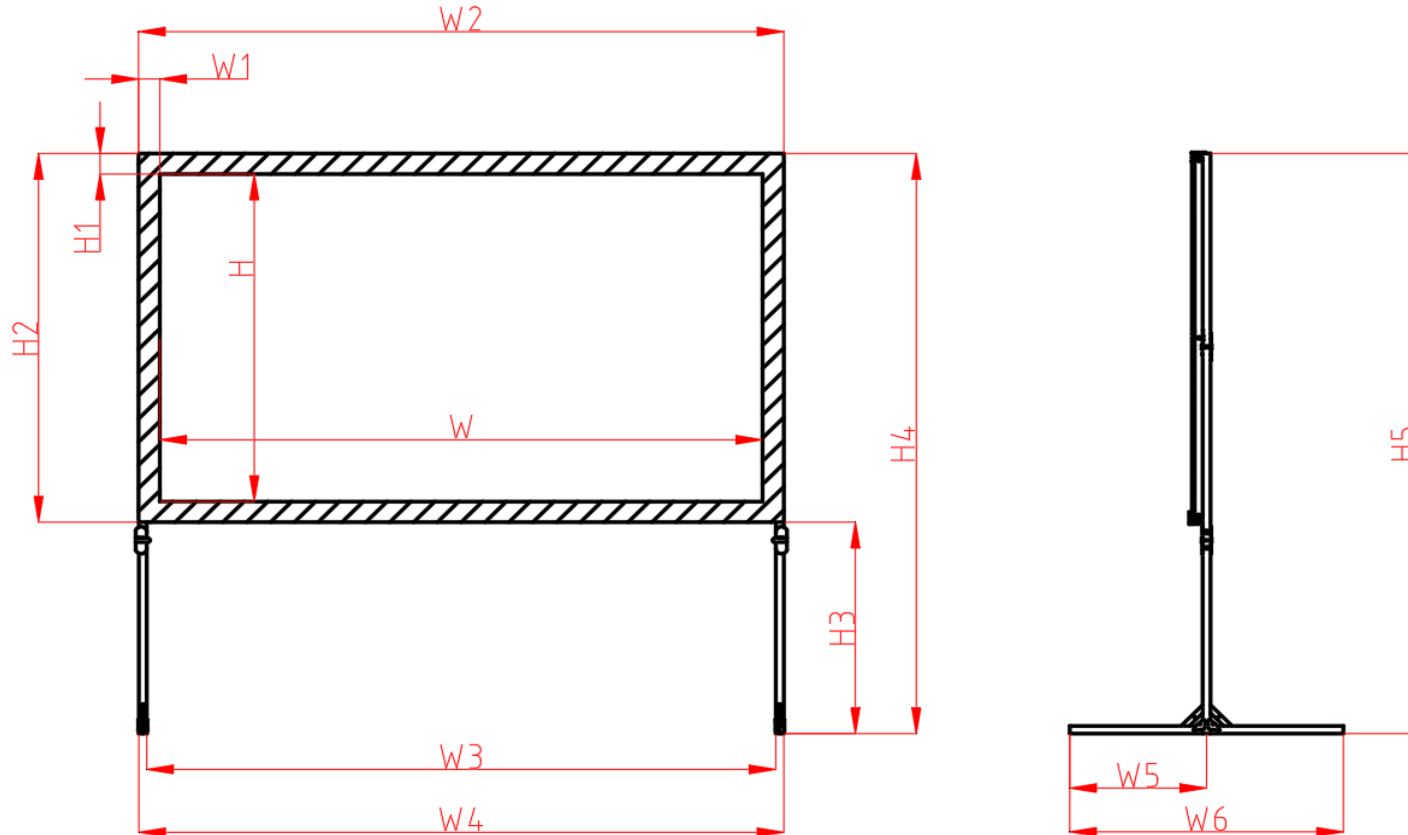


Light-On StarBright CLR® 16 M-Type Dimensions Table

Model Number	Nominal Diagonal	Screen Material	Gain	Viewable Width (W)	Left/Right Border (W1)	Screen Width (W2)	W3	Frame Length (W4)	W5	Legs fully extended (W6)	Viewable Height (H)	Top/Bottom Border (H1)	Screen Height (H2)	Bottom of Frame to Ground (H3)	Top frame to ground (H4)	Frame Height (H5)	Frame Width
<i>Unit: Inch</i>																	
LPS123H-SBCLR16	123"(16:9)	StarBright CLR® 16	1.65	106.7	3.0	112.6	110.1	112.6	24.5	49.0	59.1	3.0	65.0	2.9" - 50.2"	67.2" - 115.6"	106.3	1.3
<i>Unit: mm</i>																	
LPS123H-SBCLR16	123"(16:9)	StarBright CLR® 16	1.65	2710	75	2860	2796	2860	623	1245	1500	75	1650	73 - 1275	1706 - 2936	2700	32

Note: Data error may be +/- 1"

The listed measurements are for general reference only. Please contact Elite Screens to verify product design and dimensions before attempting to integrate its products with any structure or furniture modifications. Although a manufacturer may offer product advice, it may be taken or disregarded at the integrator's discretion. Elite Screens will not be held responsible or be otherwise liable for faulty installations.



Light-On StarBright CLR® 16 M-Type Dimensions Table

Lowest Point (H6)	Highest Point (H7)	N1	N2	N3	N4	N5	N6	N7	N8	N9	Carrying Bag Length (A)	Carrying Bag Height (B)	Carrying Bag Width (C)	Packing Dimensions (LxWxH)			Net Weight	Gross Weight
Unit: Inch																Lbs		
67.9	115.2	67.9	73.8	79.7	85.6	91.5	97.4	103.3	109.3	115.2	73.6	6.3	13.4	76.8	14.6	8.3	36.5	46.9
Unit: mm																Kgs		
1725	2925	1725	1875	2025	2175	2325	2475	2625	2775	2925	1870	160	340	1950	370	210	16	21

Note: Data error may be +/- 1"

The listed measurements are for general reference only. Please contact Elite Screens to verify product design and dimensions before attempting to integrate its products with any structure or furniture modifications. Although a manufacturer may offer product advice, it may be taken or disregarded at the integrator's discretion. Elite Screens will not be held responsible or be otherwise liable for faulty installations.

