



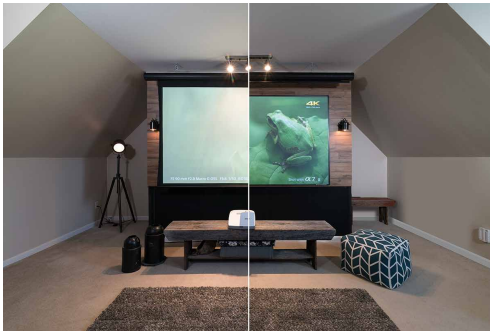
Aeon CLR[®] Series

Product Brochure



Aeon CLR® Series

The Aeon CLR® is an EDGE FREE CLR® fixed frame screen that uses Elite Screens innovative StarBright CLR® (Ceiling Light Rejecting®) material. Its serriform optical surface lens microstructure negates the washout effect of ambient light especially from overhead sources.



Screen Material

- StarBright CLR® Ceiling Light Rejecting® material absorbs up to 95% of overhead lighting
- 100x contrast enhancement over standard matte white screens
- Multi-layer optical structure filters out ambient light for superior picture quality
- Ultra wide viewing angle allows viewers to spread out while maintaining uniform picture quality
- 4K/8K Ultra HD and HDR Ready
- Produces lifelike images with superb color fidelity
- Black-backing eliminates light penetration
- Available in the following diagonal sizes: 100" in 16:9 format

Design & Installation

- Sleek EDGE FREE CLR® Fixed Frame
- Lightweight aluminum split-frame design
- Wraparound design maximizes viewing area and reduces overall footprint
- Ultra-thin black bezel trim
- Project from within a short distance without shadowing the picture
- Designed for table-top ultra-short-throw projectors
- LED Backlight kit included
- 2-Year / 3-Year ENR-G Manufacturer's Warranty by Elite Screens, an ISO9001 manufacturer since 2004

Aeon CLR® Series

Model	Screen Diag. & Aspect Ratio	View Height (in)	View Width (in)	View Height (cm)	View Width (cm)	N.W. (lbs.)	G.W. (lbs.)	N.W. (Kgs)	G.W. (Kgs)	Packing Dimension (LxHxW)	Gain	Screen Material
AR90H-CLR	90" (16:9)	44.1	78.4	112.0	199.1	20.4	29.0	9.2	13.1	53.2"x6.7"x11.8"	0.6	StarBright CLR®
AR100H-CLR	100" (16:9)	49.0	87.2	124.5	221.5	22.8	31.7	10.3	14.4	68.3"x6.5"x11.8"	0.6	StarBright CLR®
AR120H-CLR	120" (16:9)	58.2	103.9	147.8	263.9	24.0	37.6	10.9	17.0	77.6"x6.5"x11.6"	0.6	StarBright CLR®

Aeon CLR® Dimensions Table

Model Numbers	Screen Diag. & Aspect Ratio	Overall Length (A)	View Width (A1)	Overall Height (B)	View Height (B1)	Bezel Width (C)	Frame Depth (D)
AR90H-CLR	90" (16:9)	2017	1991	1150	1120	13	25
AR100H-CLR	100" (16:9)	2235	2215	1270	1245	13	25
AR120H-CLR	120" (16:9)	2665	2639	1501	1478	13	25

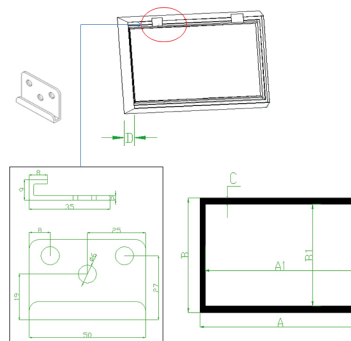
Unit: mm

Model Numbers	Screen Diag. & Aspect Ratio	Overall Length (A)	View Width (A1)	Overall Height (B)	View Height (B1)	Bezel Width (C)	Frame Depth (D)
AR90H-CLR	90" (16:9)	79.4	78.4	45.1	44.1	0.5	1.0
AR100H-CLR	100" (16:9)	88.0	87.2	50.0	49.0	0.5	1.0
AR120H-CLR	120" (16:9)	104.9	103.9	59.1	58.2	0.5	1.0

Unit: inch

*DISCONTINUED

Note: Data Error ±1". The listed measurements are for general reference only. Please contact Elite Screens to verify product design and dimensions before attempting to integrate its products with any structural or furniture modification. Although a manufacturer may offer product advice, it may be taken or disregarded at the integrator's discretion. Elite Screens will not be held responsible or be otherwise liable for faulty installations.



Aeon CLR® Dimensions Table - Spring Type

Model Numbers	Screen Diag. & Aspect Ratio	Overall Length (A)	View Width (A1)	Frame Width (A2)	Frame Depth (A3)	Overall Height (B)	View Height (B1)
AR90H-CLR	90" (16:9)	2013	1993	10	28	1142	1122
AR100H-CLR	100" (16:9)	2235	2215	10	28	1266	1246
AR120H-CLR	120" (16:9)	2678	2658	10	28	1515	1495

Unit: mm

Model Numbers	Screen Diag. & Aspect Ratio	Overall Length (A)	View Width (A1)	Frame Width (A2)	Frame Depth (A3)	Overall Height (B)	View Height (B1)
AR90H-CLR	90" (16:9)	79.3	78.5	0.4	1.1	45.0	44.2
AR100H-CLR	100" (16:9)	88.0	87.2	0.4	1.1	49.9	49.1
AR120H-CLR	120" (16:9)	105.4	104.6	0.4	1.1	59.7	58.9

Unit: inch

***DISCONTINUED**

Note: Data Error ±1". The listed measurements are for general reference only. Please contact Elite Screens to verify product design and dimensions before attempting to integrate its products with any structural or furniture modification. Although a manufacturer may offer product advice, it may be taken or disregarded at the integrator's discretion. Elite Screens will not be held responsible or be otherwise liable for faulty installations.

