



Evanesce Tab-Tension Series Product Brochure

Evanesce Tab-Tension Series In-Ceiling projection screen is the perfect solution for concealed in-ceiling installation that demands the best picture quality in a tab-tensioned screen.



Member



Evanesce Tension Series



Evanesce Tab-Tension Series In-Ceiling projection screen is the perfect solution for concealed in-ceiling installation that demands the best picture quality in a tab-tensioned screen.

Screen Material

- Award winning CineWhite® 1.1 Gain black backed matte white screen material
- 180° wide-viewing angle
- 4K Ultra HD and Active 3D Ready
- Tab-tension cords provide uniform flatness on entire projection surface
- Standard 8" top drop
- Available in the following diagonal sizes:
 - 84", 100" and 120" in 4:3 format
 - 84" in 16:9 format
 - 126" and 139" in 16:10 format



Design & Installation

- Disappearing in-ceiling design for non-dedicated media rooms
- Integrated ceiling projection screen ships fully assembled, ready to install
- Aluminum housing with white finish is strong and moisture resistant
- Above and below ceiling installation kit included

Control System

- Internal Radio Frequency/Infrared receivers with IR, RF remotes included
- Low voltage 3-way wall switch and in-wall RJ45 module included
- Standard 5-12 volt trigger to synchronize screen operation with the projector's power cycle
- Optional in-wall up/down switch (part# ZIW-W)- **sold separately**



Quality and Reliability

- ETL, FCC, CE, CB GOSTCE & ISO9001:2008
- Conforms to UL 2043 - Plenum Rated: Suitable for air-handling spaces
- 2-year Parts & Labor manufacturer's warranty
- 3-year warranty offered through ENR-G program (Education, Non-Profit, Religious and Government)

Evanesce Tab-Tension Series

Model	Screen Diag. & Aspect Ratio	View Height (in)	View Width (in)	View Height (cm)	View Width (cm)	N.W. (lbs.)	G.W. (lbs.)	N.W. (kgs)	G.W. (Kgs)	Packaging Dimensions (LxHxW)	Gain	Screen Material
ITE84VW2-E30	84"(4:3)	50.4	67.2	128.0	170.7	34.6	47.8	15.7	21.7	84.3"x7.5"x8.3"	1.1	CineWhite®
ITE100VW2-E8	100"(4:3)	60.0	80.0	152.4	203.2	39.5	53.7	18.0	24.4	97"x7.5"x8.3"	1.1	CineWhite®
ITE120VW2-E8	120"(4:3)	72.0	96.0	182.9	243.8	44.6	61.6	20.3	28.0	113.8"x7.5"x8.3"	1.1	CineWhite®
ITE84HW2-E30	84"(16:9)	41.2	73.2	104.6	185.9	36.3	50.9	16.5	23.1	90.2"x7.5"x8.3"	1.1	CineWhite®
ITE126XW2-E8	126"(16:10)	66.8	106.8	169.5	271.3	47.0	64.8	21.4	29.5	124"x7.5"x8.3"	1.1	CineWhite®
ITE139XW2-E8	139"(16:10)	73.7	117.9	187.2	299.5	58.9	85.5	26.7	38.8	138.6"x7.9"x8.7"	1.1	CineWhite®

Evanescence Tab-Tension Series Dimensions Table (Above ceiling)

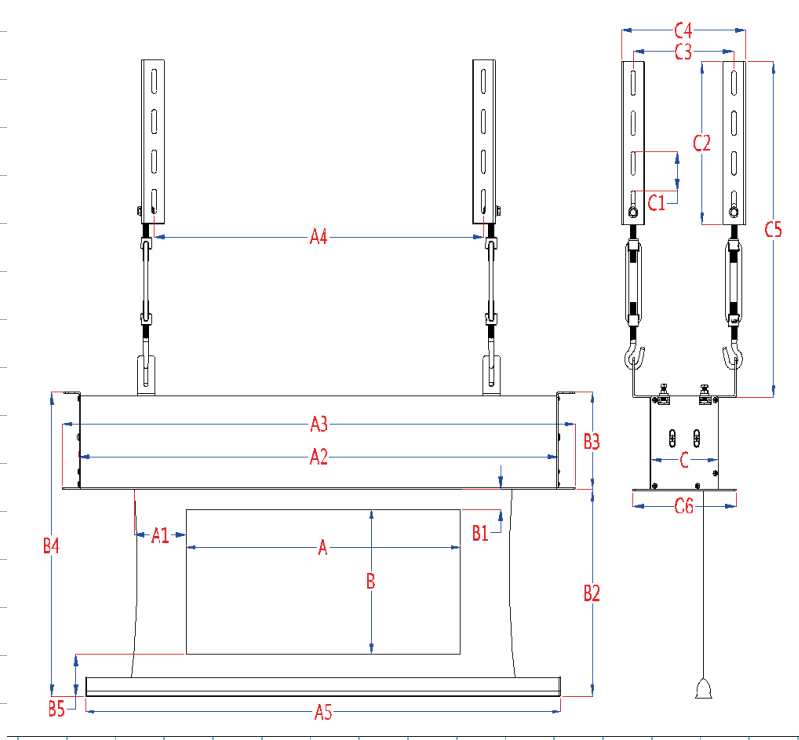
Model	Screen Diag. & Aspect Ratio	View Width (A)	L/R Black Masking (A1)	Case Length (A2)	Full Housing Length (A3)	Distance Between J Hooks (A4)	Weight Bar Length (A5)	View Height (B)	Top Border (B1)	Screen Fully Deployed (B2)	Case Height (B3)	Overall Height (B4)	Bottom Border (B5)	Case Width (C)	C1	C2	C3	C4	C5	C6
ITE84VW2-E30	84"(4:3)	1707	94	2022	2083	1623	2012	1280	762	2141	117	2261	99	99	51	925	145	180	1145-1205	147
ITE100VW2-E8	100"(4:3)	2032	95	2347	2407	1947	2342	1524	203	1827	118	1945	100	98	50	925	145	180	1145-1205	148
ITE120VW2-E8	120"(4:3)	2438	95	2770	2830	2370	2765	1828	203	2131	118	2249	100	98	50	925	145	180	1145-1205	148
ITE84HW2-E30	84"(16:9)	1859	94	2174	2235	1776	2164	1047	762	1908	117	2027	99	99	51	925	145	180	1145-1205	147
ITE126XW2-E8	126"(16:10)	2714	95	3030	3090	2630	3025	1696	203	1999	118	2117	100	98	50	925	145	180	1145-1205	148
ITE139XW2-E8	139"(16:10)	2995	94	3310	3371	2911	3300	1872	203	2174	117	2291	99	99	51	925	145	180	1145-1205	147

Unit: mm

Model	Screen Diag. & Aspect Ratio	View Width (A)	L/R Black Masking (A1)	Case Length (A2)	Full Housing Length (A3)	Distance Between J Hooks (A4)	Weight Bar Length (A5)	View Height (B)	Top Border (B1)	Screen Fully Deployed (B2)	Case Height (B3)	Overall Height (B4)	Bottom Border (B5)	Case Width (C)	C1	C2	C3	C4	C5	C6
ITE84VW2-E30	84"(4:3)	67.2	3.7	79.6	82.0	63.9	79.2	50.4	30.0	84.3	4.6	89.0	3.9	3.9	2.0	36.4	5.7	7.1	45.1-47.4	5.8
ITE100VW2-E8	100"(4:3)	80.0	3.7	92.4	94.8	76.7	92.2	60.0	8.0	71.9	4.6	76.6	3.9	3.9	2.0	36.4	5.7	7.1	45.1-47.4	5.8
ITE120VW2-E8	120"(4:3)	96.0	3.7	109.1	111.4	93.3	108.9	72.0	8.0	83.9	4.6	88.5	3.9	3.9	2.0	36.4	5.7	7.1	45.1-47.4	5.8
ITE84HW2-E30	84"(16:9)	73.2	3.7	85.6	88.0	69.9	85.2	41.2	30.0	75.1	4.6	79.8	3.9	3.9	2.0	36.4	5.7	7.1	45.1-47.4	5.8
ITE126XW2-E8	126"(16:10)	106.9	3.7	119.3	121.7	103.5	119.1	66.8	8.0	78.7	4.6	83.3	3.9	3.9	2.0	36.4	5.7	7.1	45.1-47.4	5.8
ITE139XW2-E8	139"(16:10)	117.9	3.7	130.3	132.7	114.6	129.9	73.7	8.0	85.6	4.6	90.2	3.9	3.9	2.0	36.4	5.7	7.1	45.1-47.4	5.8

Unit: inch

Note: Data Error ±1". The listed measurements are for general reference only. Please contact Elite Screens to verify product design and dimensions before attempting to integrate its products with any structural or furniture modification. Although a manufacturer may offer product advice, it may be taken or disregarded at the integrator's discretion. Elite Screens will not be held responsible or be otherwise liable for faulty installations.



Evanescence Tab-Tension Series Dimensions Table (Below Ceiling)

Model Number	Screen Diag. & Aspect Ratio	View Width (A)	L/R Border (A1)	Case Length (A2)	Overall Length (A3)	A4	Weight bar length (A5)	View Height (B)	Top Black Masking (B1)	B2	Case Height (B3)	Top of Case to Bottom of Screen (B4)	Bottom border (B5)	C	C1	C2	C3
ITE84VW2-E30	84"(4:3)	1707	94	2022	2083	2047	2012	1280	762	2141	117	2261	99	99	147	119	2070
ITE100VW2-E8	100"(4:3)	2032	95	2347	2407	1947	2342	1524	203	1827	118	1945	99	99	147	119	2395
ITE120VW2-E8	120"(4:3)	2438	95	2770	2830	2370	2765	1828	203	2131	118	2249	99	99	147	119	2819
ITE84HW2-E30	84"(16:9)	1859	94	2174	2235	2200	2164	1047	762	1902	117	2027	99	99	147	119	2225
ITE126XW2-E8	126"(16:10)	2714	95	3030	3090	2630	3025	1696	203	1999	118	2117	99	99	147	119	3079
ITE139XW2-E8	139"(16:10)	2995	94	3310	3371	3335	3300	1872	203	2174	117	2291	99	99	147	119	3358

Unit: mm

Model Number	Screen Diag. & Aspect Ratio	View Width (A)	L/R Border (A1)	Case Length (A2)	Overall Length (A3)	A4	Weight bar length (A5)	View Height (B)	Top Black Masking (B1)	B2	Case Height (B3)	Top of Case to Bottom of Screen (B4)	Bottom border (B5)	C	C1	C2	C3
ITE84VW2-E30	84"(4:3)	67.2	3.7	79.6	82.0	80.6	79.2	50.4	30.0	84.3	4.6	89.0	3.9	3.9	5.8	4.7	81.5
ITE100VW2-E8	100"(4:3)	80.0	3.7	92.4	94.8	93.4	92.2	60.0	8.0	71.9	4.6	76.6	3.9	3.9	5.8	4.7	94.3
ITE120VW2-E8	120"(4:3)	96.0	3.7	109.1	111.4	110.0	108.9	72.0	8.0	83.9	4.6	88.5	3.9	3.9	5.8	4.7	111.0
ITE84HW2-E30	84"(16:9)	73.2	3.7	85.6	88.0	86.6	85.2	41.2	30.0	75.1	4.6	79.8	3.9	3.9	5.8	4.7	87.6
ITE126XW2-E8	126"(16:10)	106.9	3.7	119.3	121.7	120.3	119.1	66.8	8.0	78.7	4.6	83.3	3.9	3.9	5.8	4.7	121.2
ITE139XW2-E8	139"(16:10)	117.9	3.7	130.3	132.7	131.3	129.9	73.7	8.0	85.6	4.6	90.2	3.9	3.9	5.8	4.7	132.2

Unit: inch

Note: Data Error ±1". The listed measurements are for general reference only. Please contact Elite Screens to verify product design and dimensions before attempting to integrate its products with any structural or furniture modification. Although a manufacturer may offer product advice, it may be taken or disregarded at the integrator's discretion. Elite Screens will not be held responsible or be otherwise liable for faulty installations.

