









Color Coding for RJ45 Connection for Z Type Electric Drop-Down Projector Screens

- PIN 1:  Brown (12VGND)
- PIN 2:  Brown White (+12V)
- PIN 3:  Green (UP)
- PIN 4:  Blue White (+5V)
- PIN 5:  Blue (DOWN)
- PIN 6:  Green White (5V Ground)
- PIN 7:  Orange (Infrared)
- PIN 8:  Orange White (NC)

12V Trigger

- PIN 2: (+12V)
- PIN 1: (12V Ground)

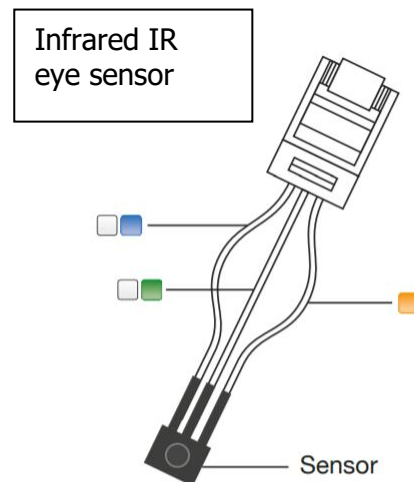
Dry Contact

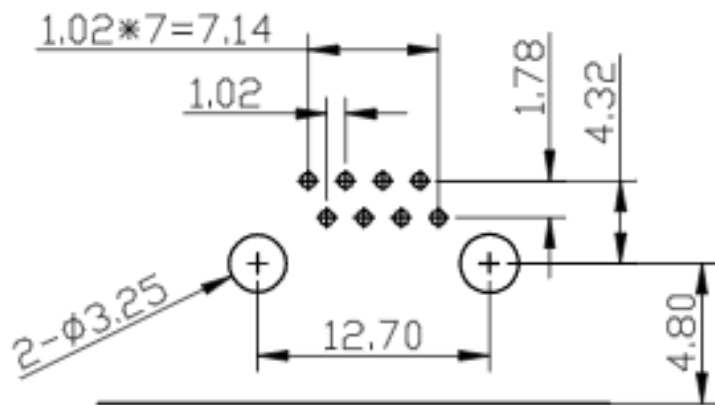
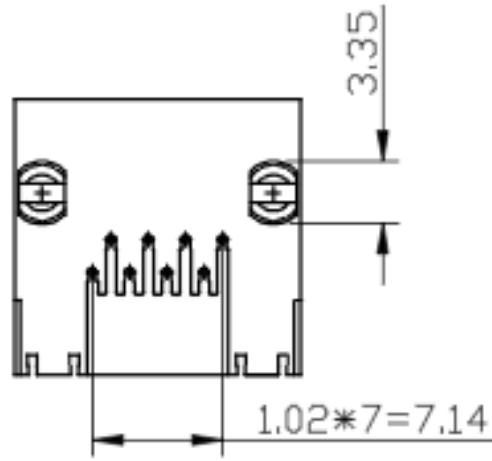
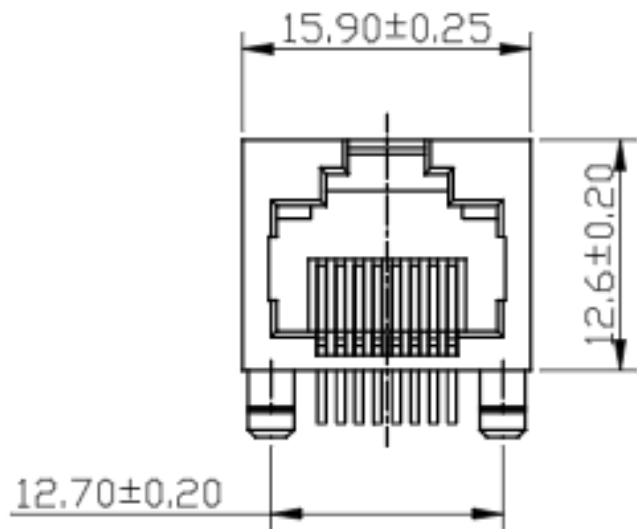
- PIN 3: (UP)
- PIN 5: (Down)
- PIN 6: (5V Ground)

- DOWN: PIN (5+6)
- UP: PIN (3+6)
- STOP: PIN (3+5+6)

Infrared Sensor

- PIN 4: (+5V)
- PIN 6: (5V Ground)
- PIN 7: (Infrared)





PC Board Layout
Component Side Shown