



Manual Screen Series

Manual Pull-Down Projection Screen

USER'S GUIDE – EN Type

V1.1

For latest updated version visit www.elitescreens.com




Pre-Installation

1. Carefully unpack the screen.
2. Always handle the screen in a level position on a clean surface.

MAINTENANCE

Clean matte white screen material with a soft cloth and mild soap with water.
 When not in use, retract the screen in its housing to keep the screen material surface clean.

Hardware Parts Lis

A: M5*50 screws x2 pcs	B: Wall anchor x 2 pcs	C: Rope x1pc
		

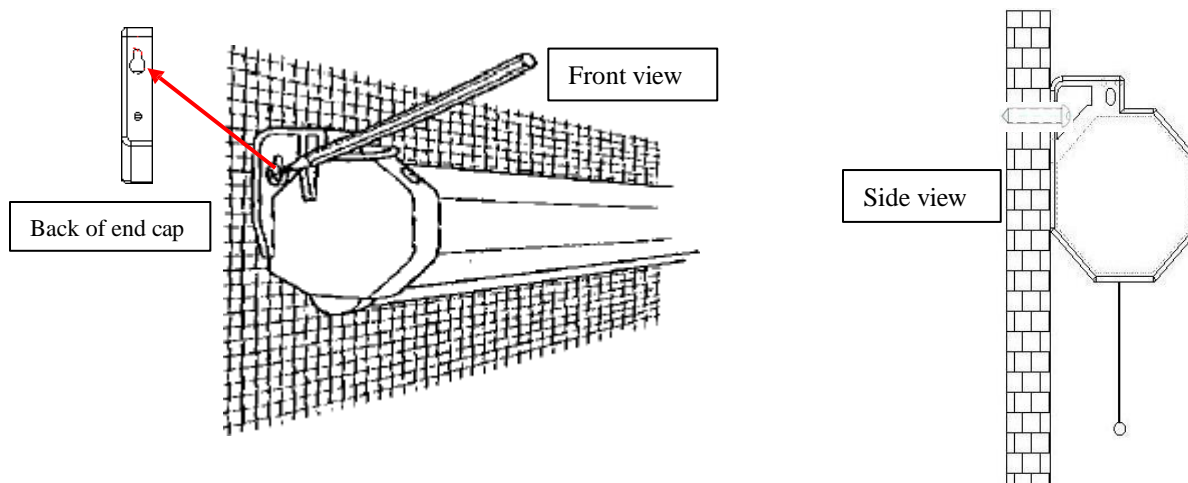
Note: Wall screws included with this product are complimentary and may not be adequate for all mounting surfaces. Consult with a professional installer or hardware store for proper mounting screws and anchors.

Regardless of the mounting method, the screen should be securely supported so that the vibration or pulling on the viewing surface will not cause the screen case to become loose or fall. The installer must ensure that the proper mounting hardware and the fasteners used are of adequate strength and suitable for the mounting surface.

Installation Instructions

Flush Wall Mounting

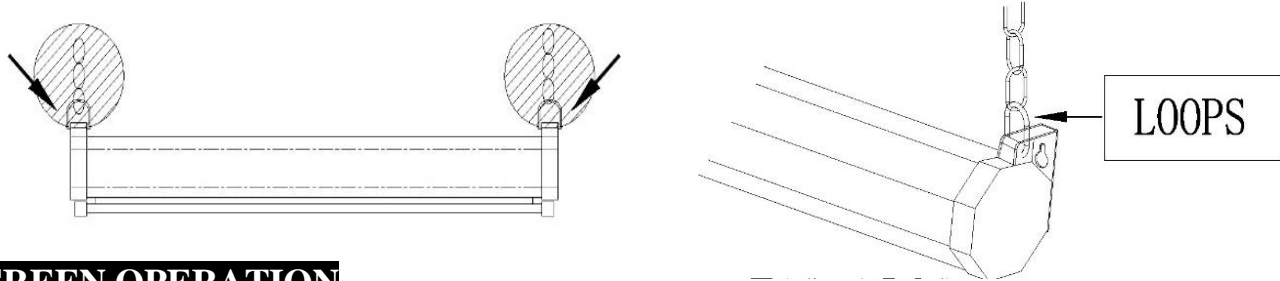
1. Measure the distance between the keyholes located on the back of the end cap.
2. Mark the location of where the screen is to be installed for the pre-drilled hole.
3. After marking the area and drilling the hole, insert the proper screw into the drilled hole and leave about 1/8" of an inch from the wall to mount the screen.
4. Mount your screen from the keyhole located on the back of screen's left and right end cap.



Ceiling Suspended Mounting (additional hardware required)

Optional installation using a chain to hang the screen from the ceiling.

1. You can also hang the screen on a ceiling by using a chain and hang it by the two loops as shown below.

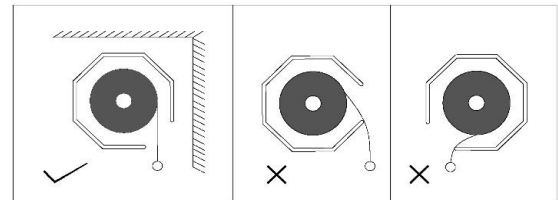


SCREEN OPERATION

CAUTION:

Do not let go of the handle when retracting the screen to avoid damage from slamming up.

*Note: **Always** pull the screen down or let it up in a 90-degree vertical angle. Do not allow the screen to touch the screen case when the screen goes up or comes down to avoid damaging the screen material.*

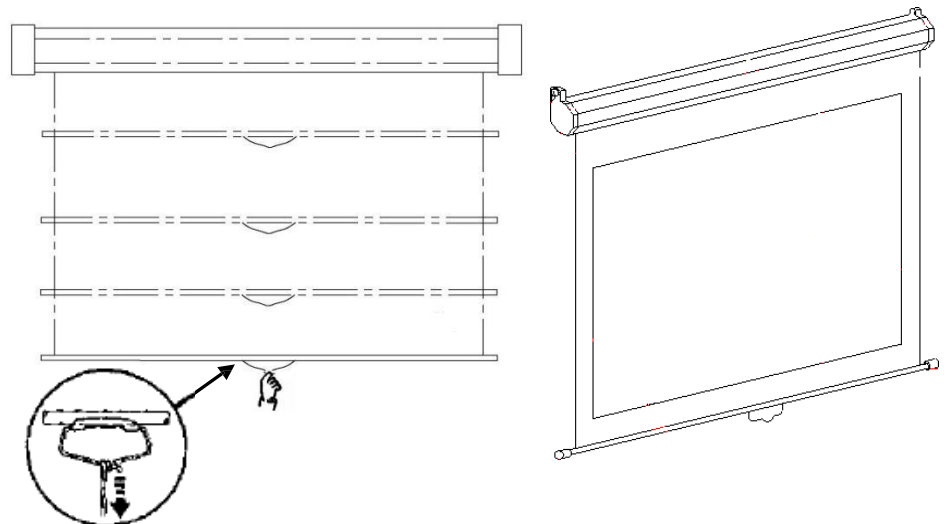


1. Pull the screen down from the lanyard or from the handle only in a 90-degree angle. Do not attempt to pull the screen down by the surface or touch the screen, as it will damage the screen and void the warranty.

Note: An internal auto-lock mechanism system will cause the screen to stop and lock on the position at intervals.

2. If you want the screen to retract back, simply pull the screen down more than 2 inches and retract the screen back by quickly and smoothly releasing it up gently.

Note: Always release at a 90-degree angle and do not let go until the screen is entirely inside the case. If ever the screen feels stuck, keep in mind that the screen's mechanism is new and needs to be run up/down a few times to loosen up. If this happens, carefully with a little force yank the screen straight down to unlock the screen.



Note: Improperly bringing the screen up/down will damage the screen material or rolling system.

RETRACTION TIP: If you are not able to pull the screen down two inches when attempting to retract it, give the screen a quick yank downwards with a little bit of force. Please be sure to not stand directly under the housing of the unit when yanking down on the screen.

SCREEN MATERIAL DISCLAIMER:

At first, the screen material may have a series of noticeable horizontal lines on its surface. These are known as memory lines. Memory lines are caused when the pliable projection material is rolled up and stored for the duration between its production and sale. This is both a normal and correctable phenomenon. For non-tensioned screens, you may also notice curling along the edges of the material. This is mainly due to environments in cold temperatures. Please try the following to alleviate the memory lines and side curls on the material. After installation, leave the screen in the down position for a few days in a warm room environment (above 75 degrees) and then commence regular (up/down) usage. This allows the material to stretch out and cure itself. After a few days, the lines should vanish and the edge curling will alleviate and will neither return nor affect the projected image during the years of its use.

NEGANTE DE EL MATERIAL:

De primero, se van a notar líneas horizontales en el material de la pantalla. Estas líneas son normales y son causadas por el tiempo que las pantallas están almacenadas desde el día de su producción hasta el día que se venden. Para las pantallas que no son tensionadas, también pueden tener rizos en las orillas del material. Estos fenómenos pueden ser corregidos con los pasos siguientes. Baja el material para que cuelgue por unos pocos días para que se estiren las líneas y los rizos. Es importante mantener la temperatura arriba de 75 grados para aliviar el material de estos fenómenos y para que se mantenga plano. Cuando se alivien las líneas y los rizos con la temperatura mantenido a 75 grados, estos fenómenos no deberían regresar.

Material Hinweis:

Das Leinwandmaterial kann beim erstmaligen Gebrauch sichtbare horizontale Streifen aufweisen. Diese Streifen entstehen durch einen längeren Lagerungszeitraum zwischen der Produktion und dem Verkauf. Diese „Memory“ Streifen sind nicht von Dauer. Lassen Sie die Leinwand beim erstmaligen Gebrauch einfach für einige Tage aushängen, dann werden die Streifen verschwinden und auch nicht wieder auftreten. Teilweise kann es bei Leinwänden auch zu einem zu einem einrollen des Leinwandtuches an den Seiten kommen. In der Regel hat das mit der Raumtemperatur zu tun. Wenn die Leinwand einige Tage bei normaler Umgebungstemperatur benutzt wird sollte sich auch dieses Einbiegen wieder zurückbilden.

屏幕材质免责声明：

屏幕材质在起初使用时表面可能会出现明显的水平线，这些水平线称之为记忆线。记忆线是因为屏幕投影材质在储存过程中长期卷曲所致，这一现象是正常的并可修复。对于非拉线的屏幕，屏幕可能会有卷边现象，这主要是由于低温的环境所造成的。请尝试按照以下的方法，可改善幕布表面的记忆痕和卷边的现象。在安装屏幕之后，把它完全展开并放置数天在暖和一点的室内环境中（24℃以上），然后开始定期（上/下）使用，这可以让屏幕材质完全伸展和修复。之后的几天内，这些线和卷边会消失，即不会反复出现也不会在使用期间影响投影效果。

Материала экрана ПРЕДУПРЕЖДЕНИЕ:

На поверхности этого материала для экрана вначале могут быть заметны горизонтальные линии. Они называются линиями памяти. Линии памяти возникают, когда самоклеящийся защитный материал сворачивается в трубку и хранится в таком положении в период между производством и продажей. Это – нормальное явление, с которым можно бороться. После установки, оставьте материал в растянутом положении в теплом помещении на несколько дней и затем регулярно поднимайте и опускайте. Это позволит материалу растянуться и разгладиться. Через несколько дней линии исчезнут навсегда, и больше никогда не будут портить изображение в течение многих лет использования.

スクリーンの素材の免責事項:

スクリーン生地は、出荷直後に限り、その表面に、目で見える水平の線が付いている場合があります。これは、「メモリーライン」と呼ばれる既知の現象です。メモリーラインは、スクリーンの在庫期間、スクリーン生地が巻き上げられたままの状態での保存されたことが原因で発生する現象です。この現象は、正常であり、かつ、簡単に直るものです。また、テンションなしのスクリーンでは、スクリーン生地の縁の部分がカールしていることがあります。これは主に気温が低いことに起因して発生する現象です。メモリーラインやカールを直すには、設置後の最初の数日間、部屋を暖かくした状態(24度以上)でスクリーンを下ろしたまま放置し、その後、通常の使用(アップ/ダウン)を開始してください。放置することでスクリーンの生地を伸ばし、メモリーラインやカールを直すことができます。万一、数日経っても直らない場合、スクリーンを末永くご使用いただけるよう、交換致しますので販売店までお申し付けください。

AVISO SOBRE MATERIAL DE TELA DE PROJEÇÃO:

Inicialmente, o material da tela poderá ter uma série de linhas horizontais visíveis na sua superfície, no início. Estas são conhecidas como linhas de memória. As linhas de memória são causadas quando o material de projeção flexível é enrolado e armazenado durante o período entre a sua produção e utilização. Isto é tanto um fenómeno normal e corrigível. Após a instalação, deixe a tela esticada e desenrolada por alguns dias e depois inicie a instalação normal de enrolar e desenrolar. Isso permite que o material da tela estique e fique lisa. Após alguns dias, as linhas desapareceram e não retornará ou afetará a imagem projetada durante os anos de uso.

SCREEN MATERIALE DISCLAIMER:

Il materiale di proiezione possono avere una notevole serie di linee orizzontali sulla superficie quando è nuovo e nella posizione più bassa per la prima volta. Questi sono conosciuti come linee di memoria e they sono causati quando la proiezione material is flessibile arrotolato e conservato per la durata tra la sua produzione e vendita. Questo è sia un fenomeno normale e correggibile. Dopo aver installato lo schermo per la prima volta, lasciarlo in posizione abbassata per qualche giorno e poi iniziare l'utilizzo regolare (su / giù). Questo permette al materiale di allungare e di cura. Dopo il periodo di pochi giorni, le linee dovrebbero sparire e non sarà né ritorno né da incidere l'immagine proiettata durante gli anni di utilizzo.

SCREENMATERIALDISCLAIMER:

Projektionsskärmenmaterialkanhaenradmärkbarhorisontellinjernapå ytannärden ärnyochidetnedrelägetförforstagången. Dessa kallas minne linjer och de uppkommer i samband med böjligt projektionen materialet rullas ihop och förvaras under den tid mellan tillverkning och försäljning. Detta är både en normal och korrigerbara fenomen. Efter att ha installerat skärmen för första gången lämna den i nedfällt läge under ett par dagar och sedan börja vanlig (upp / ned) användning. Detta gör att material att sträcka ut och bota. Efter perioden för ett par dagar bör de poster som försvinner och kommer varken tillbaka eller påverkar den projicerade bilden under åren av användning.

Précision sur la toile de l'écran:

La toile de l'écran de projection peut présenter une série de lignes horizontales sur sa surface dans le cas où cet écran est neuf et qu'il se trouve en position basse pour la première fois. Ces lignes résultent du fait que l'écran est resté enroulé pendant toute la durée qui s'écoule entre sa fabrication et sa commercialisation. Il s'agit d'un phénomène absolument normal et totalement passager. Après l'installation de l'écran pour la première fois, le laisser en position basse pendant quelques jours puis ensuite procéder à une utilisation normale (en actionnant les boutons haut / bas). Cela permet à la toile de s'étirer et de retrouver son état originel. Après une période de quelques jours, les lignes doivent disparaître et ne jamais réapparaître ni affecter la qualité des projections pendant toute la durée de vie de l'écran.

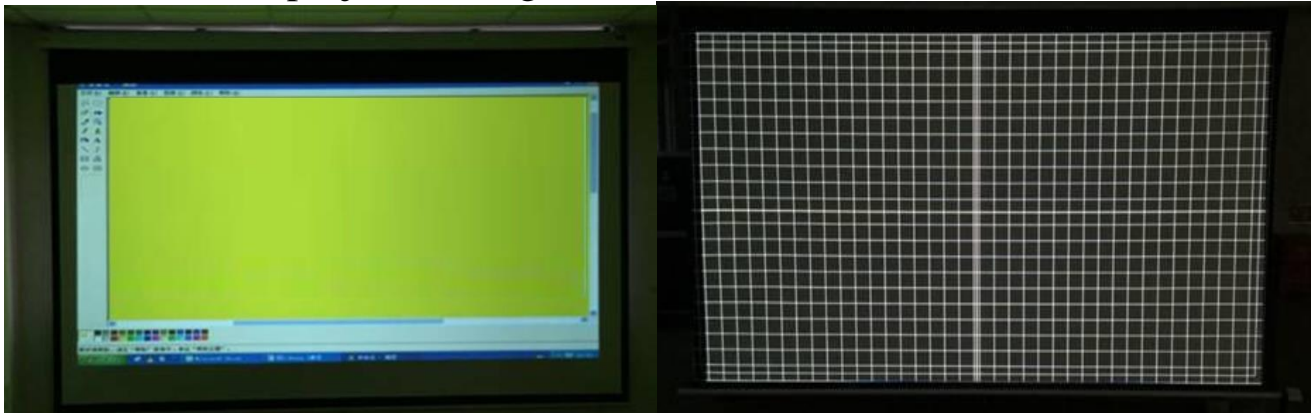
SHORT THROW PROJECTION DISCLAIMER

Using a *short throw projector* on a *non-tensioned* type screen will result in image distortion as the slightest wave on the viewing surface will become more evident.

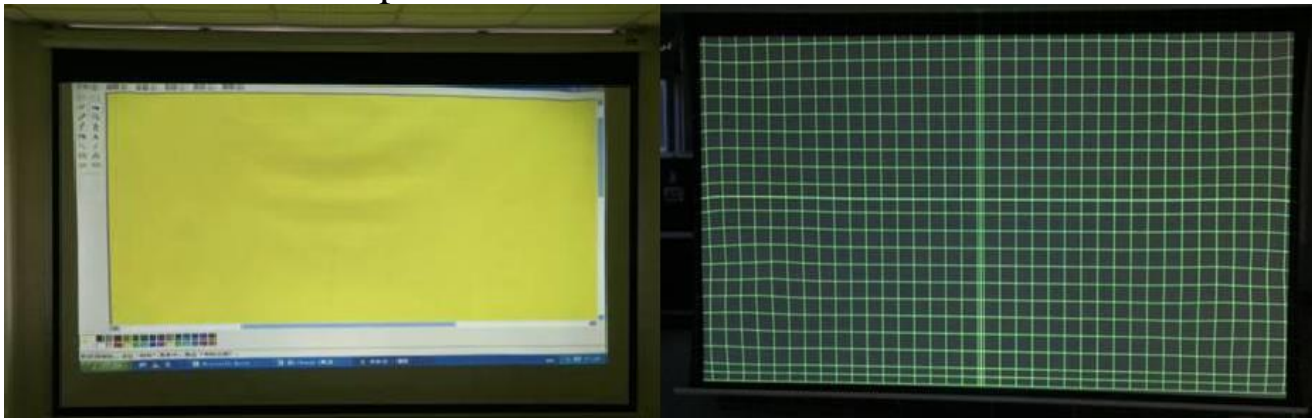
For *short throw projectors*, Elite Screens recommends the use of a **motorized tab-tensioned, fixed frame or whiteboard** projection screen.

Examples of undoctored projection images using a *standard throw* and *short-throw* projector

Standard throw projected image shown below (waves are not visible)



This *short throw* projected image shown below, demonstrates how waves on the surface become more pronounced:

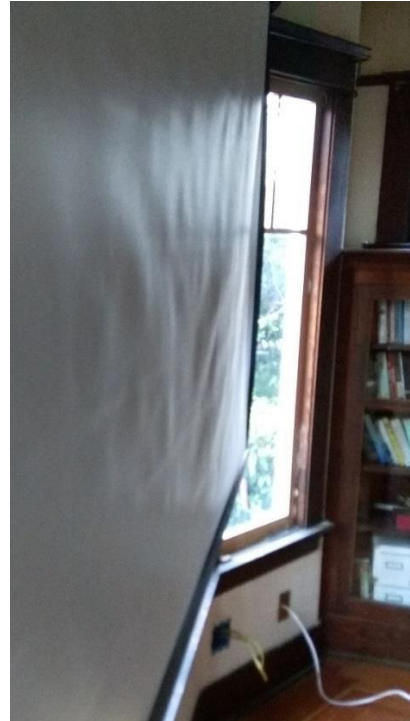


Actual Projection Images by two different Elite Screens model with *Standard Throw Projector* (Model #:ViewSonic Pro8300) vs. *Short Throw Projector* (Model #:BenQW710ST)

DIRECT SUNLIGHT DISCLAIMER

Projection Screens from any maker are not designed for use as a window curtain and should never be exposed to direct sunlight. Prolonged exposure to solar radiation will destroy synthetic materials and such damage is not covered by our standard warranty.

See examples below.



For more information, technical support or your local Elite Screens contact, please visit www.elitescreens.com