



# QuickStand 5-Second Tab-Tension Series

## Large Free-Standing Pull up Projection Screen

### User's Guide

Thank you for choosing the *QuickStand 5-Second Series* projection screen! Please read through this user guide before utilizing the screen. Correct usage and maintenance will ensure a long product life

**1. Dust, dirt and scratches on the projection surface will affect the picture quality, please take note of the points below to prevent that from occurring:**

- Do not touch the projection surface with your hands.
- Do not write or draw on the projection surface.
- Do not use fingers or sharp objects to point on the projection surface; this will damage the screen material.
- Use a soft-damp cloth to clean the projection surface; do not use chemical cleaning agents or alcohol.
- Use clean water when dampening the cleaning cloth and do not rub against the material to clean it.

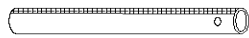
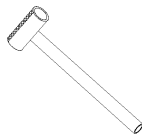


**2. After using the screen, disassemble it and store it in the carrying bag provided.**

**3. To avoid damage and injury, the screen should only be operated by adults.**

### Product Description

*Design:* The QuickStand 5-Second Series allows a quick set up. The screen includes a built-in stage case for travel. It pops out of the case and is extended using a dual-scissor support system.

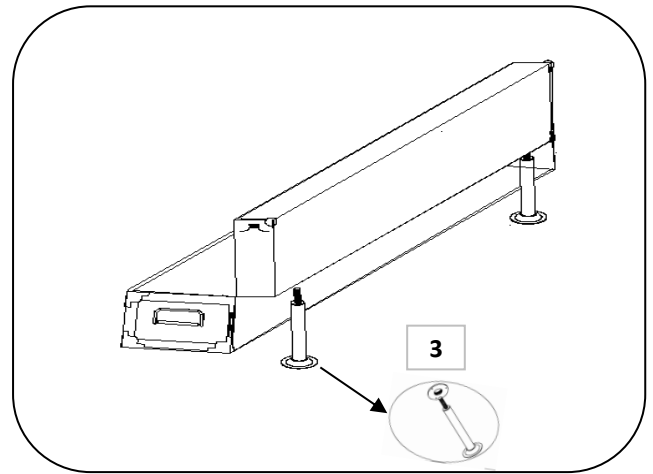
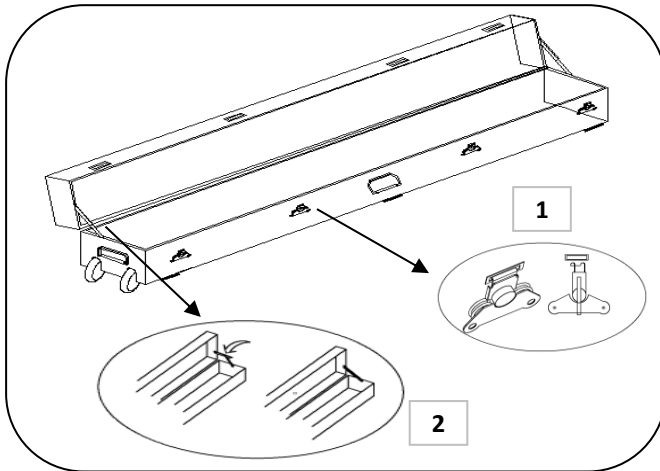
**When unpacking the screen, check that all parts are included.**

Parts List			
A. Horizontal Support Bar x2	B. Vertical Support T-Bar x3	C. Drape x2	D. Top Cover Foot x2
			

Note: The parts list above is subject to change without notice.

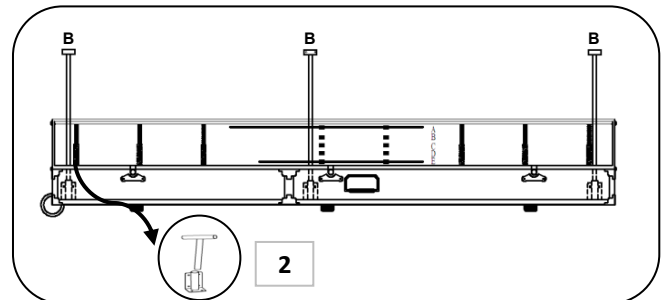
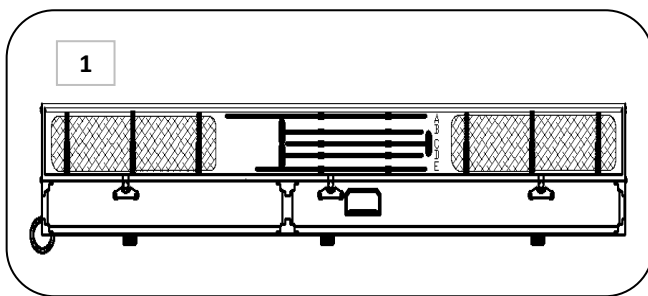
## Opening the case

1. Begin by unlocking the four locks by turning them counter-clockwise.
2. Then open up the case making sure the left and right hinges are fully extended.
3. Install the **Top Cover Foot (D)** on the Left and Right side as shown below.

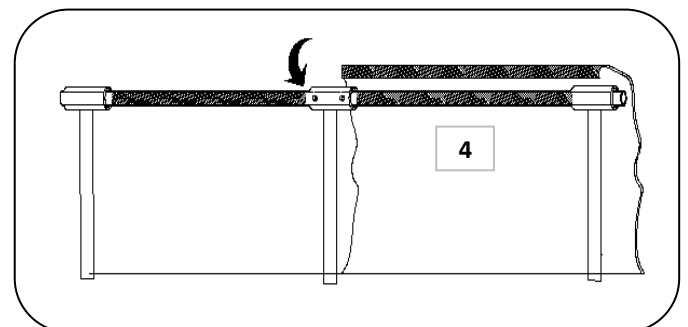
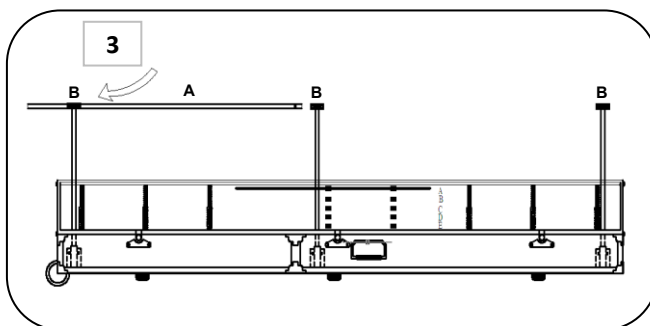


## Drape Kit Installation

1. Once the case has been opened, you will find the Drape Kit inside the top cover.
2. Insert the **Vertical Support T-Bar (B)** into each slot inside the case.



3. Connect the **Horizontal Support Bar (A)** to the **Vertical Support T-Bar (B)**.
4. Then, attach the **Drape (C)** to the Velcro on the **Horizontal Support Bar (A)**.

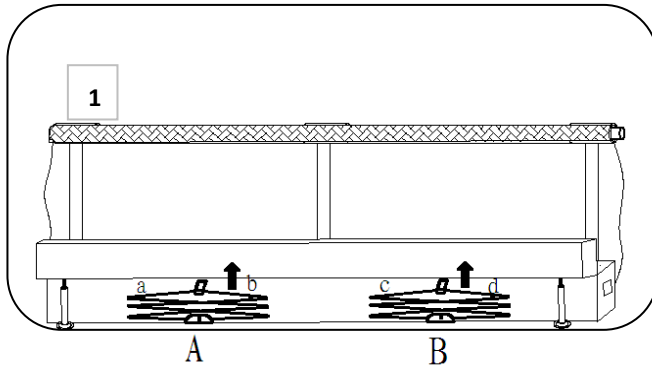


## How to Raise the QuickStand 5-Second screen

### Caution:

- *Two-man operation is required.*
- *Always pull and push evenly simultaneously on both scissors. Failure to do so will damage the screen and is not covered under warranty.*

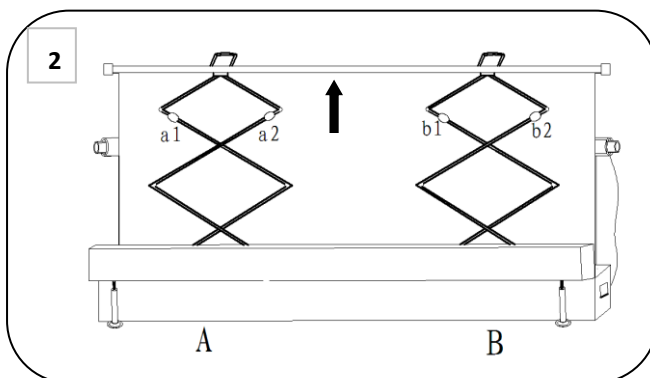
**Step 1.** Grasp the lifting handles and raise the screen to the highest possible level. This will cause the (scissor-spring) supports to expand for step 2.



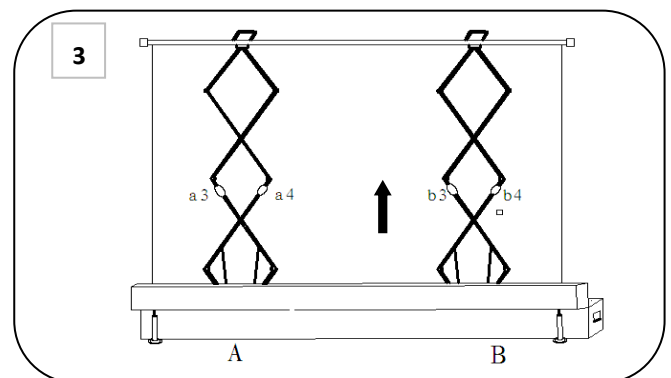
**Step 2.** Once the scissor springs have deployed, grasp the diagonal spans (*a1 a2 b1 b2*) and continue raising the screen and far as you can reach or the desired height.

*\*Maintain the alignment of both scissor supports while raising or lowering the screen.*

**Step 3:** If full elevation is required, grasp the lower set of diagonal spans (*a3 a4 b3 b4*) and continue lifting until you have reached the full height.



Lift up and push *a1 a2* and *b1 b2*



Push up by squeezing *a3 a4* and *b3 b4*

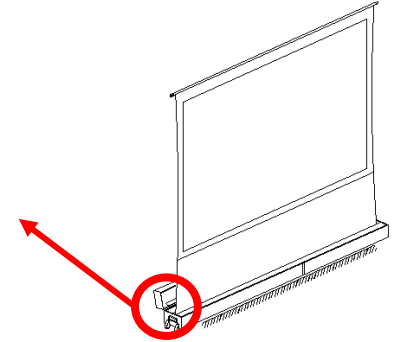
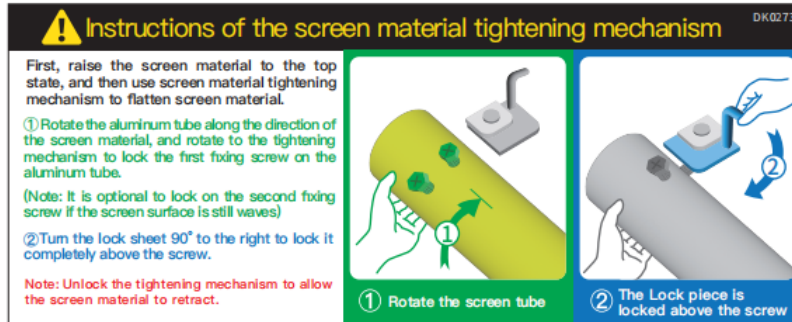
**Step 4 :** First, raise the screen material to the top state, and then use screen material tightening mechanism to flatten screen material.

- Rotate the aluminum tube along the direction of the screen material, and rotate to the tightening mechanism to lock the first fixing screw on the aluminum tube.

(Note: It is optional to lock on the second fixing screw if the screen surface is still waves)

- Turn the lock sheet 90° to the right to lock it completely above the screw.

**Instructions are located on the inside top part of the lid of the case.**

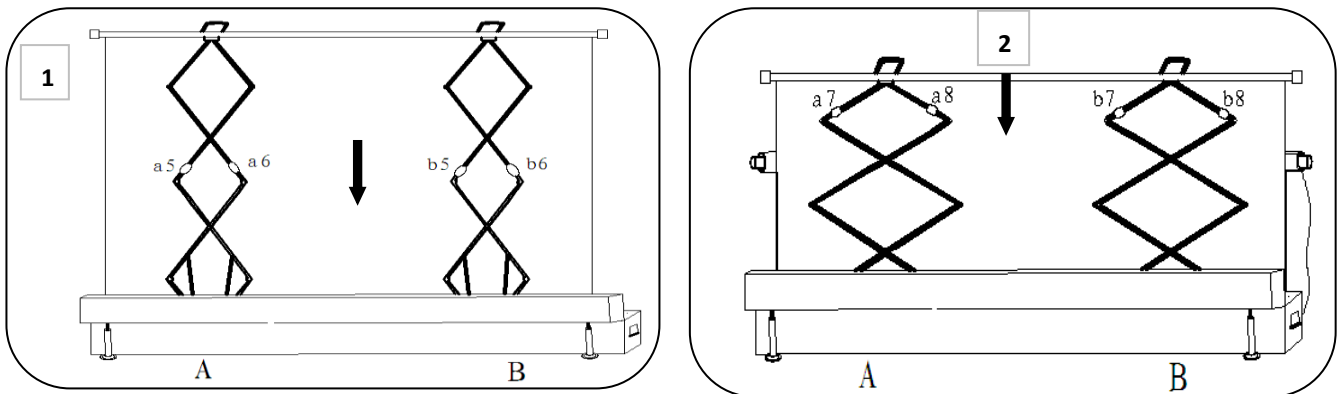


**Note:** Unlock the tightening mechanism to allow the screen material to retract.

### How to lower Quick Stage Screen

**Step 1:** Grasping the lower spans of the (scissor) support, gently bring the screen down while maintaining the alignment of both supports.

**Step 2:** Continue lowering while using a “hand-over-hand” method on the diagonal spans until the top handles can be reached.



Pull down *a5 a6 b5 b6* and then pull down again *a7 a8, b7 b8*

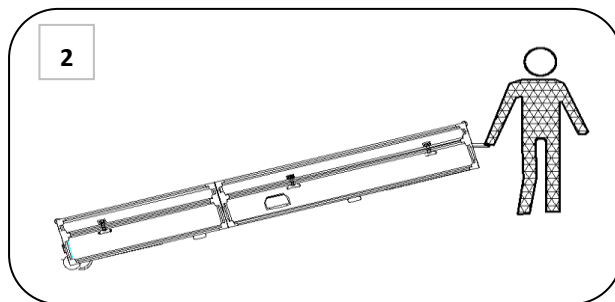
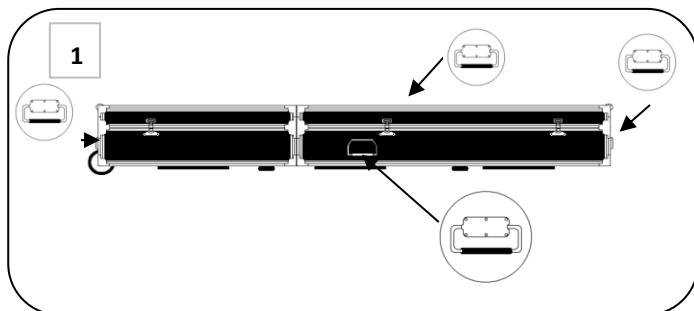
**Step 3:** Ease material down until it is fully retracted and firmly bound around the roller. Close the casing lid and secure the locks.

### How to move the screen

*The QuickStand 5-Second Series offers two ways to be move the screen.*

- 1) Lift the screen by the handles and move it to its desired location.

2) Pick up the screen from the handle and roll it with the built-in wheels to the desired location.



**Note:**

***Always close the screens and store it inside the box when not in use. This will prolong the life of the product and protect the material for best presentation results.***

For a local Elite Screens contact or Technical Support, please visit

[www.elitescreens.com](http://www.elitescreens.com)