



ezCinema Tab-Tension CineGrey 4D Series

Portable Ceiling/Ambient Light Rejecting
Floor Pull-Up Projector Screen

USER'S GUIDE – E/H Type V1.0

Visit www.elitescreens.com for latest updated version.

Product Description

Thank you for purchasing the ezCinema Tab-Tension portable free-standing projector screen. The ezCinema Tab-Tension is a pull-up screen that conveniently raises and retracts using a telescoping support bar which allows the screen to promptly be setup and taken down.

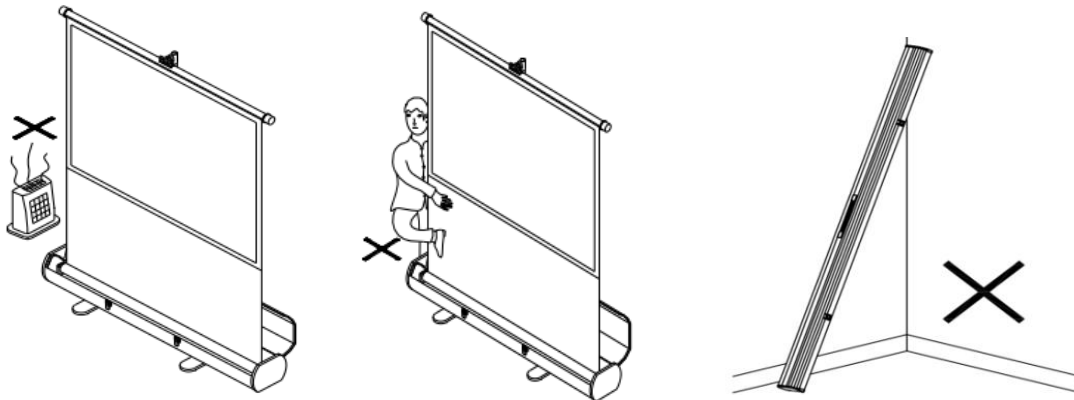
Elite Screens allows a 1.5% tolerance within the viewing surface for expansion and contraction of the screen materials over time.

Precautions:

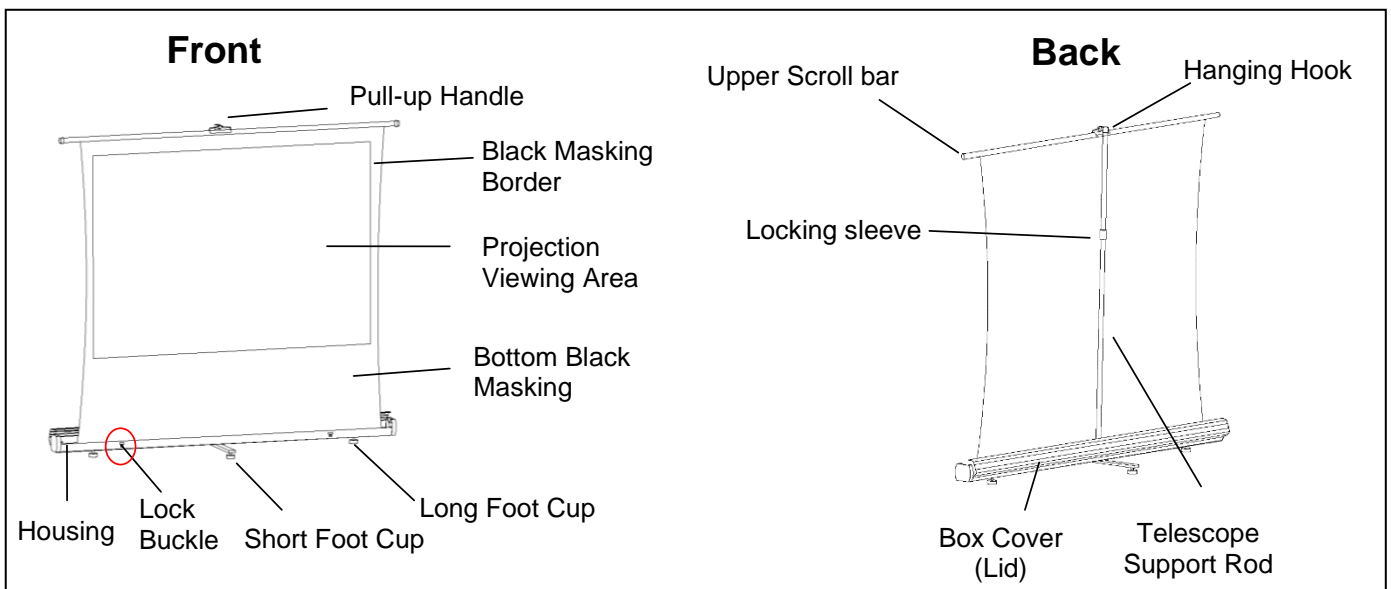


Warning! Screen damage can result from product mishandling if the following precautions are not followed.

- In accordance with practicing home fire safety and avoiding screen damage, do not place the screen near or beside a fireplace or high temperature objects such as a gas stove, BBQ or heater.
- Place the screen beyond the reach of children.
- Do not use the screen in a very strong windy environment.
- Do not use on uneven surfaces.



PARTS IDENTIFICATION



IMPORTANT:

- Do not keep the screen open during strong wind.
- The screen must be placed in a horizontal position on a level ground.

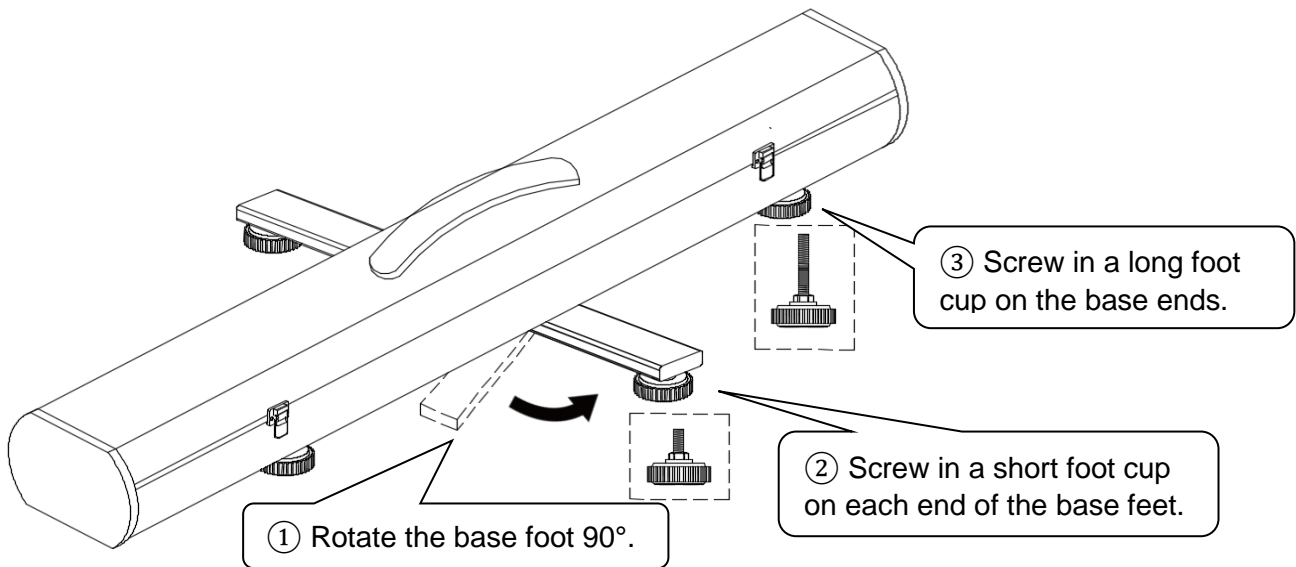
Setting up the screen

Installation:

ezCinema Tab-Tension is designed to be used as an easy-to-operate portable screen for a variety of presentation environments. Its design makes it versatile enough to be used in classrooms, conference rooms, homes, or courtyard presentations. When packed, the unit can be easily carried and opened for projection presentations in seconds. **As a rule, the portable projector screen should be installed in an area free of wind and sources of heat or open flame (such as heaters, grills or firework displays).**

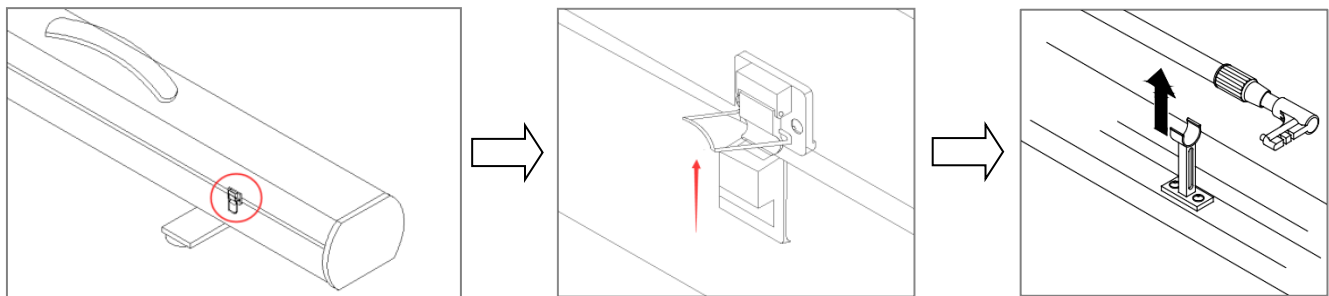
Extend the base feet:

Locate the base feet on the bottom of the box cover at each end and rotate the base foot until it forms a right angle between the footboard and the cover box.



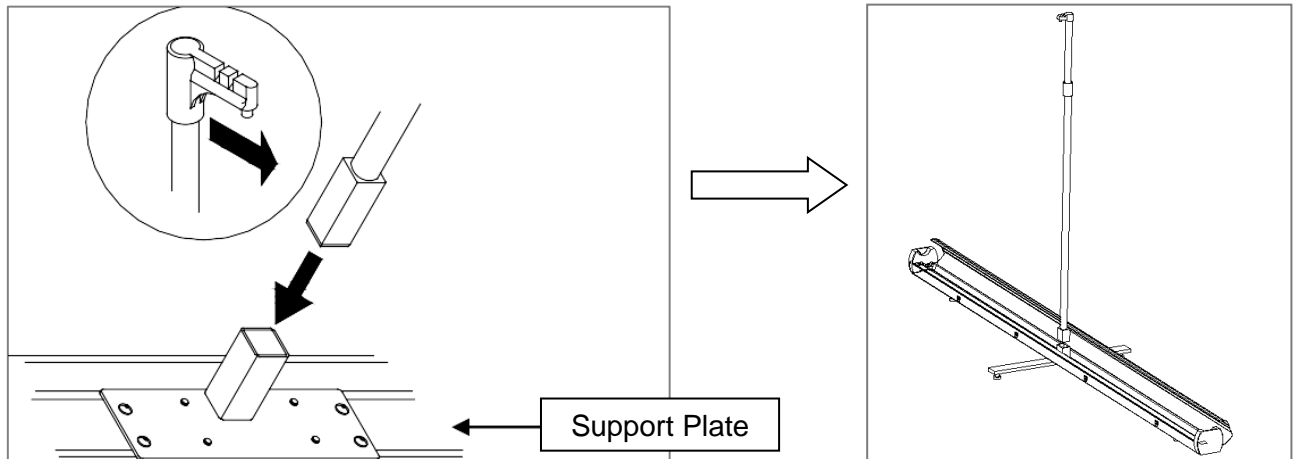
Open the box cover:

Unlatch the buckles on both ends of the box and open the box cover. Next, secure the box with one hand while removing the telescopic support rod with your other hand.



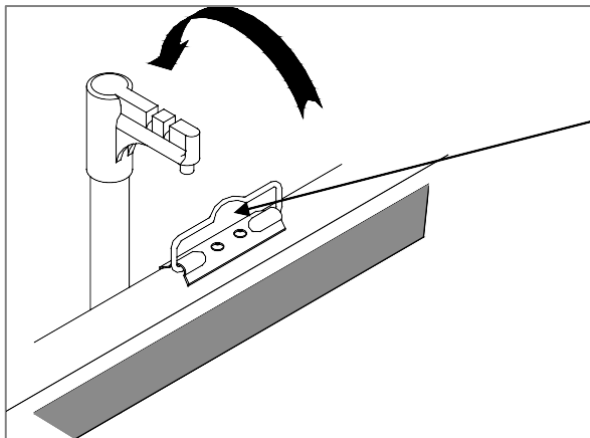
Installing the support rod:

First, make sure that the hanging hook is pointing toward the front facing the same direction as the screen, then insert the square end of the telescopic support rod into the support plate as shown below.

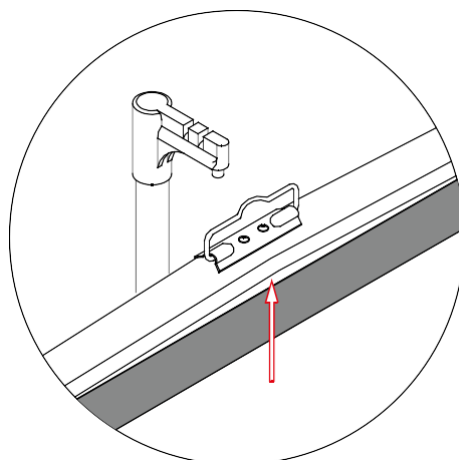


Pull up the screen:

Hold the pull hook with one hand, then lift and pull the screen up gently and hang it on the hook.



When attaching/detaching the screen to the pull hook, please be sure to raise the screen using the handle indicated here as pulling on other parts of the top support bar may cause damage to the screen. Make sure to firmly hold the handle to avoid the screens from suddenly retracting into the housing.

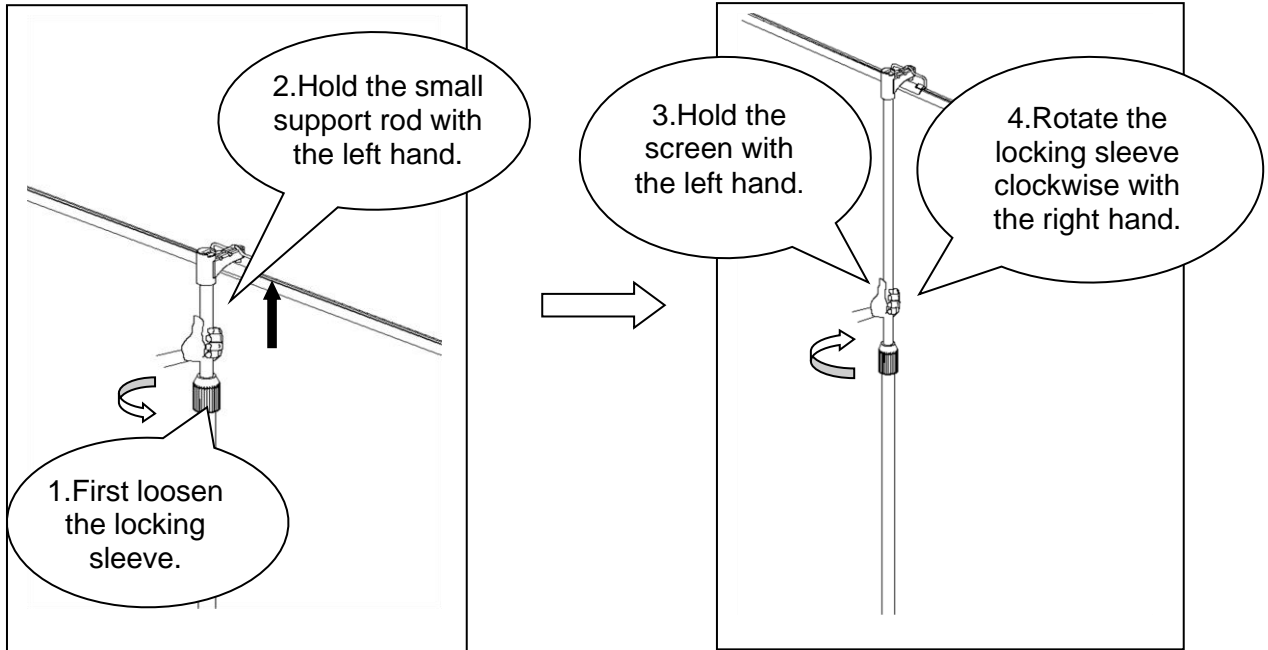


Note: When attaching the screen to the pull hook, you may notice a slight gap between the top bar and screen material. This is completely normal, and it is used to maintain a leveled flat surface when projecting an image.

Vertical Adjustment:

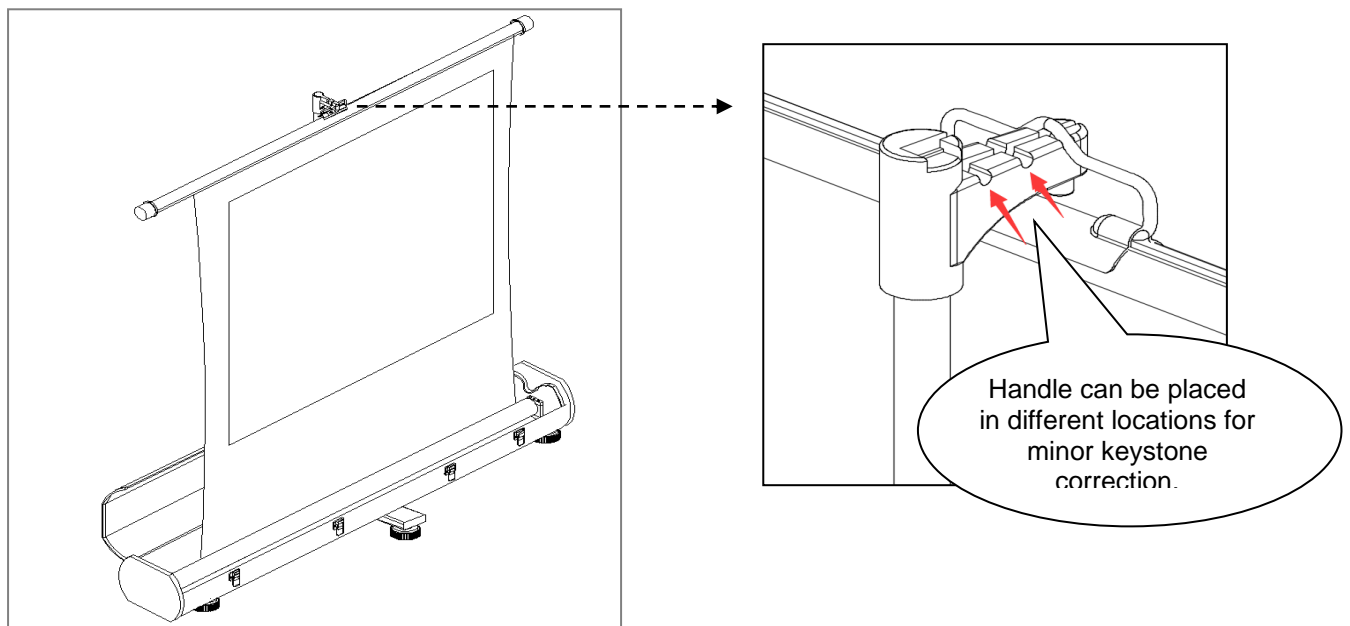
First loosen the locking sleeve, and then hold the small support rod with the left hand to slowly raise it upwards until the screen is fully stretched to the desired position.

When the screen is stretched to the desired position, secure the small support bar with your left hand, and then rotate the locking sleeve clockwise with your right hand until the telescoping bar is properly locked in place.



Screen completely assembled

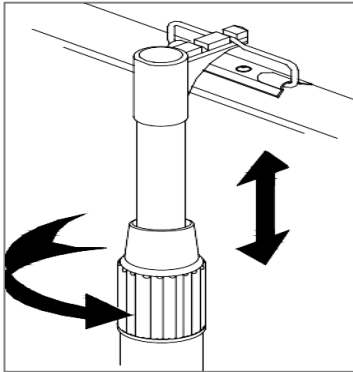
Below diagrams are for reference only and may vary depending on your model.



Screen storage operation

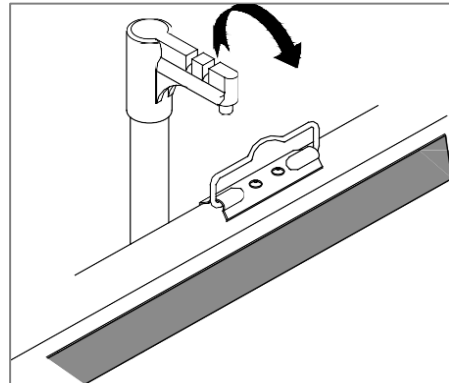
1. Pulling down the screen:

First, hold the telescopic support rod with the left hand and loosen the locking sleeve counterclockwise with the right hand. Then shorten the telescoping support rod slowly into the full retracted position and tighten the locking sleeve to secure it in place.



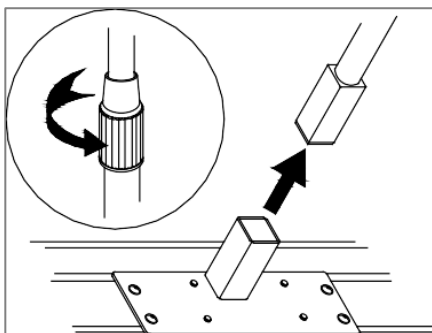
2. Retract the screen:

Remove the pull hook from the support bracket by lifting it about 2 cm (.78") up and then hold on to the pull hook and lower the screen gently into the box.



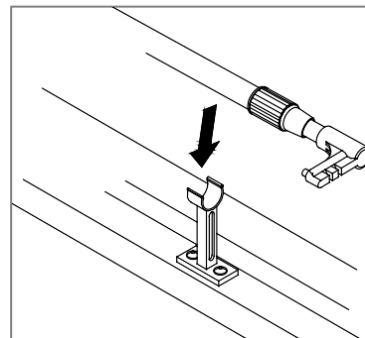
3. Pulling out the telescopic support rod:

After telescoping the small supporting rod to its shortest position and tightening the locking sleeve, take out the supporting rod from the support plate.



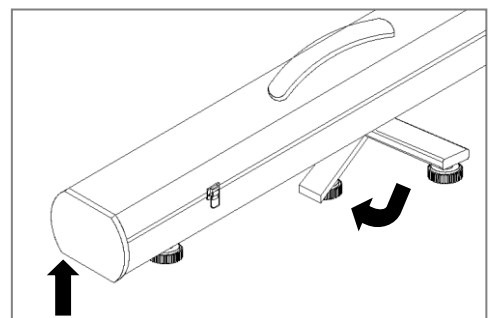
4. Storing the telescopic support rod:

Properly center the supporting rod in the middle to maintain the weight balance in the box when carrying.



5. Draw the base foot back:

Slightly lift each end of the box and rotate the base foot counterclockwise underneath the housing until it is aligned with the box.



Notice to Installer:

Please use the following installation instructions to obtain superior optical performance from the CineGrey 4D Angular Reflective ALR (Ambient Light Rejecting) Screen.

Make sure to follow these instructions in order for the CineGrey 4D to perform correctly.

- Angular-Reflective material is not compatible with ultra/short-throw projectors
- Minimum lens throw ratio 1.5x image width
- Ambient light must not come from the same direction as the projector

Since angular-reflective means that the projected image will reflect at the mirror-opposite angle, it is important to position the projector so that the viewer will get the best possible image.

Step 1: Establish the general “eye level” of the viewers.

Step 2: Set the appropriate projection level.

CORRECT INSTALLATION EXAMPLES – Standard Throw Projectors

Ceiling projector installation: Make sure the projector (*light in*) is angled (**A**) to reflect (**B**) at the mirror-opposite angle (*light out*) to align with the viewer’s eye level (sweet spot).

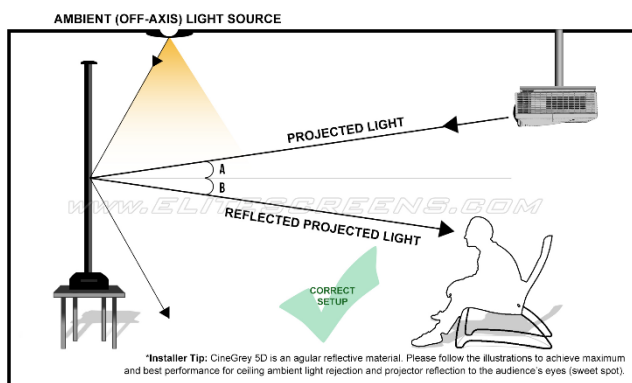
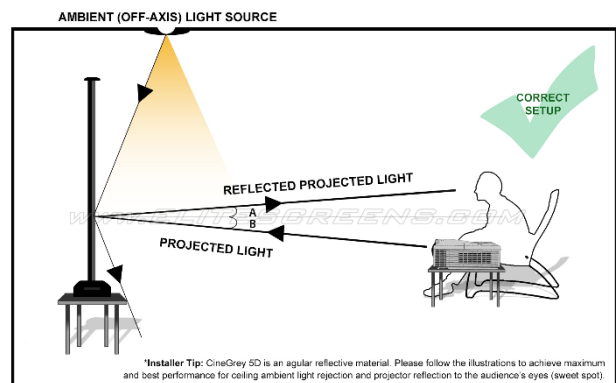
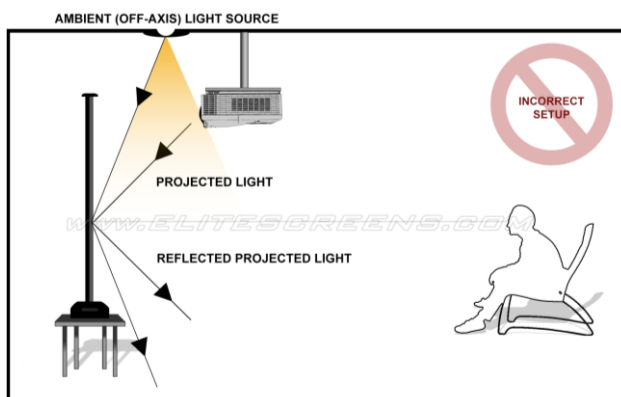


Table-top installation: Make sure the projector (*light in*) is angled (**A**) to reflect (**B**) at the mirror-opposite angle (*light out*) to align with the viewer’s eye level (sweet spot).

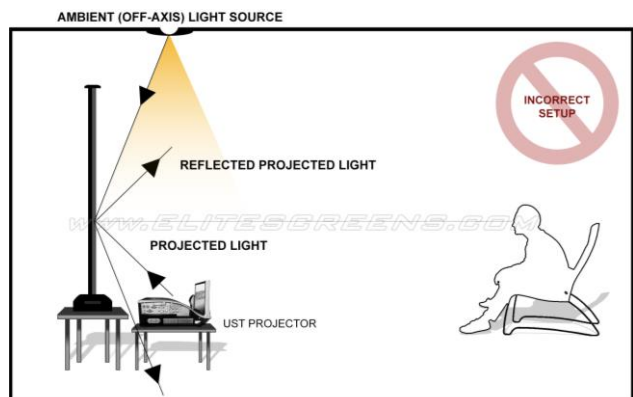


INCORRECT INSTALLATION EXAMPLES – Ultra or Short-Throw Projectors

Ceiling Mounted Ultra or Short-Throw Projector



Tabletop Ultra or Short-Throw Projector



Note: Improper installation will result in light loss and produce a foggy image. This is due to the projector’s light reflecting in the wrong direction.

Images are not up to scale and are for illustrations purposes only

Tips for adjusting screen material flatness.

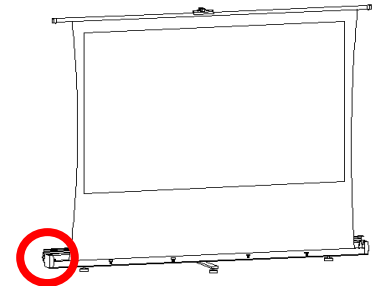
Elite Screens® provides users with a better viewing experience when using this product in various environments. The built-in screen material tightening mechanism can achieve the best viewing effect by ensuring the flatness of the screen.

When the following situations occur, please use the screen material tightening mechanism of the product to improve the flatness of the screen:

- After long-term use of the product, there may be waves on the projection surface.
- When the bottom black masking border of the screen is not opened to the full extent, there are curled vertical lines on the screen, resulting in an uneven projection surface.

Attention: It is recommended to release the screen material tightening mechanism in a timely manner when the screen is not being projected on to avoid prolonged and excessive screen tension causing deformation of the screen material.

When retracting the screen, please also ensure that the screen material tightening mechanism is released and slowly retract the screen into the housing.



Tip: Screen material tightening mechanism instructions

First, ensure that the screen material is correctly hung/supported, secured and support bar is locked tightly. Please follow the steps below to improve the screen surface flatness.

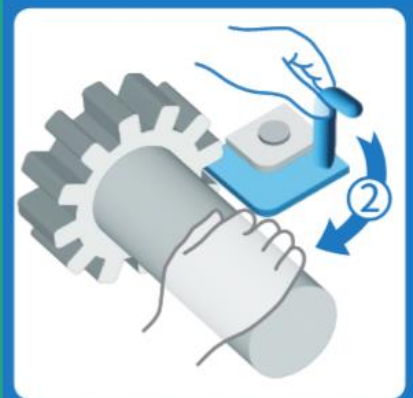
① Inspect the screen material first for waves, then rotate the screen tube clockwise with your hand until the waves have disappeared.

② Turn the locking plate 90 degrees to the right making sure it is tucked in between the tooth to secure the position.

Note: Unlock the tightening mechanism to allow the screen material to retract.



① Rotate the screen tube



② Use the pulley to lock the plate

The following points should be noted to ensure the sound performance of the screen.

1. Never use your hand to touch the screen surface.
2. Never write on the screen with pens, pencils, markers, etc.
3. Don't touch the screen with hard or sharp objects.
4. Please use a clean cotton cloth or soft dust brush to remove any dust particles on the screen.
5. The screen material may be cleaned with mild soap and water on a soft cloth.
6. Avoid using or storing the screen in extreme temperatures and direct sunlight.
7. The screen must be placed in a horizontal position on a level ground. Never place the screen upright.

For more information, technical support or your local Elite Screens® contact, please visit www.elitescreens.com