



ezCinema X-Ratio / ezCinema Tab-Tension X-Ratio Series

*Multiple Aspect Ratio Portable Floor Pull-Up
Projector Screen*



USER'S GUIDE – E/H Type

V1.0

For the latest updated version visit www.elitescreens.com

Product Description

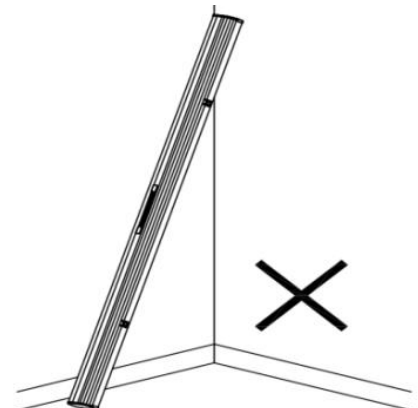
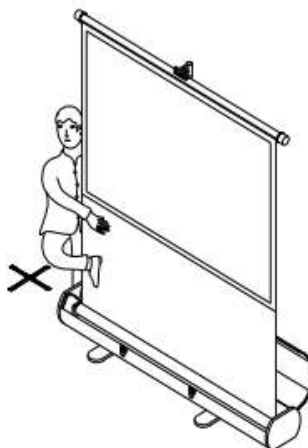
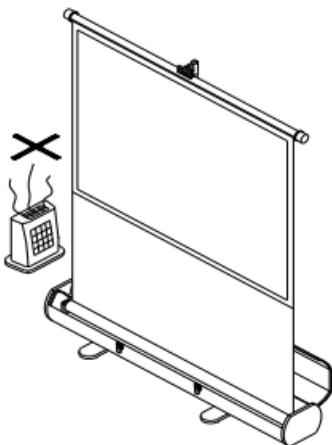
Thank you for purchasing the **ezCinema X-Ratio / ezCinema Tab-Tension X-Ratio Series** portable free-standing projector screen. The ezCinema X-Ratio / ezCinema Tab-Tension X-Ratio Series is a pull-up screen that conveniently raises and retracts using a scissor-back mechanism to achieve multiple aspect ratios to accommodate various projector configurations which also allows the screen to promptly be setup and taken down in seconds.

Precautions:

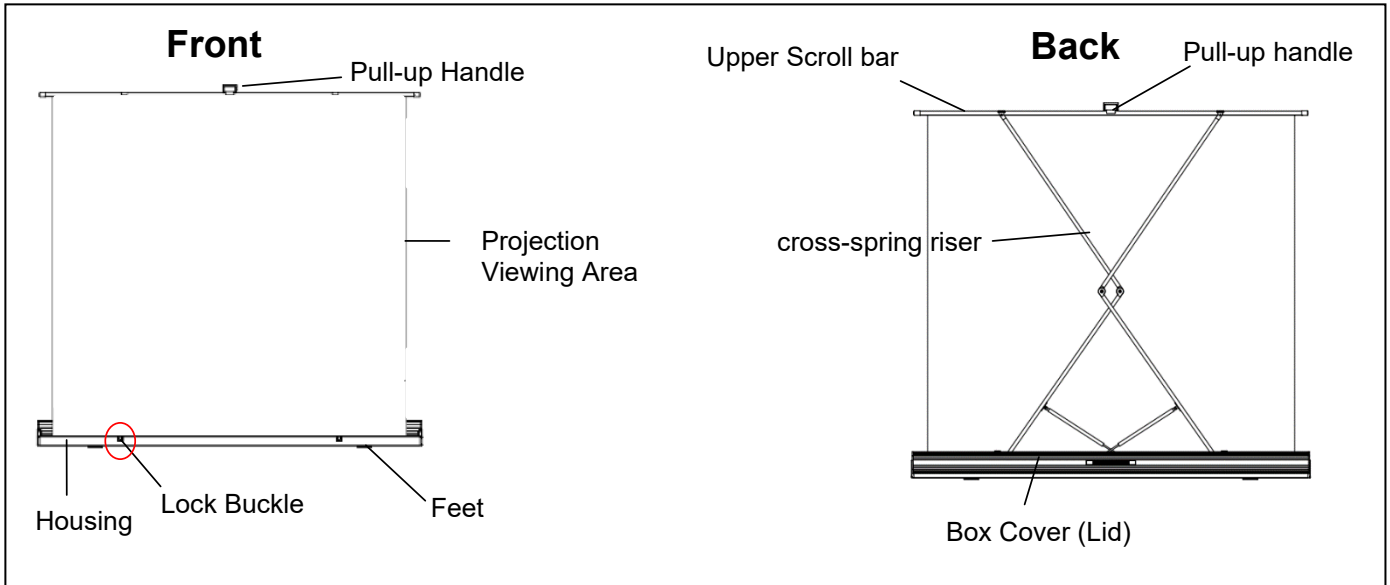


Warning! Screen damage can result from product mishandling if the following precautions are not followed.

- In accordance with practicing home fire safety and avoiding screen damage, do not place the screen near or beside a fireplace or high temperature objects such as a gas stove, BBQ or heater.
- Place the screen beyond the reach of children.
- Do not use the screen in a very strong windy environment.
- Do not use on uneven surfaces.
- The screen must be placed in horizontal position on a level ground, avoid placement screen upright.



PARTS IDENTIFICATION



IMPORTANT:

- Do not keep the screen open during strong wind.
- The screen must be placed in a horizontal position on a level ground.

SETTING UP THE SCREEN

ezCinema X-Ratio / ezCinema Tab-Tension X-Ratio Series is designed to be used as an easy-to-operate portable screen that offers multiple aspect ratios for a variety of presentation environments. Its design makes it versatile enough to be used in classrooms, conference rooms, homes, or courtyard presentations. When packed, the unit can be easily carried and opened for projection presentations in seconds. ***As a rule, the portable projector screen should be installed in an area free of wind and sources of heat or open flame (such as heaters, grills or firework displays).***

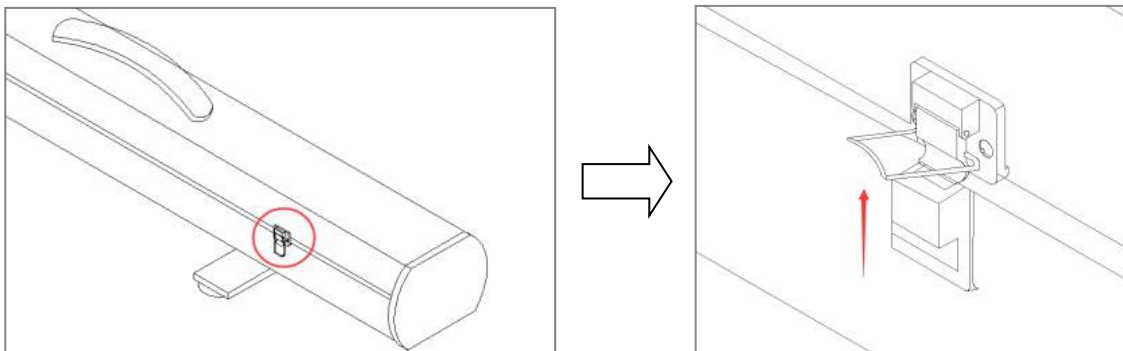
Extend base feet:

Locate the base feet on the bottom of the box at each end and rotate them clockwise until they form right angles.



Open the box cover:

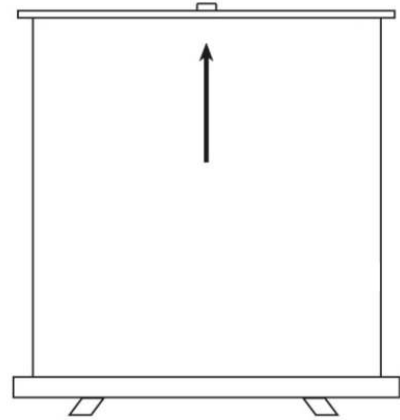
Unlatch the buckles on both ends of the box and open the box cover.



PULLING UP THE SCREEN

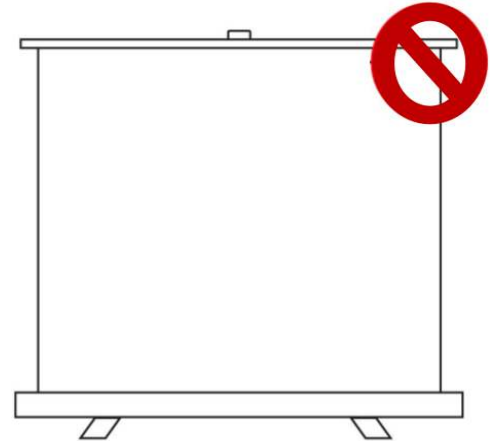
CORRECT USE

- PULL UP THE SCREEN BY THE HANDLE UNTIL IT IS FULLY EXTENDED



INCORRECT USE

- NEVER USE THE SCREEN UNLESS IT IS FULLY EXTENDED PASSED THE VIEWING AREA SO IT DOES NOT RETRACT ON ITS OWN.
- THE SCREEN IS SUSCEPTIBLE TO RETRACTING ON ITS OWN AND CAN CAUSE INJURY.
- PRODUCT DAMAGE CAN ALSO OCCUR WHICH IS NOT COVERED BY OUR STANDARD WARRANTY.

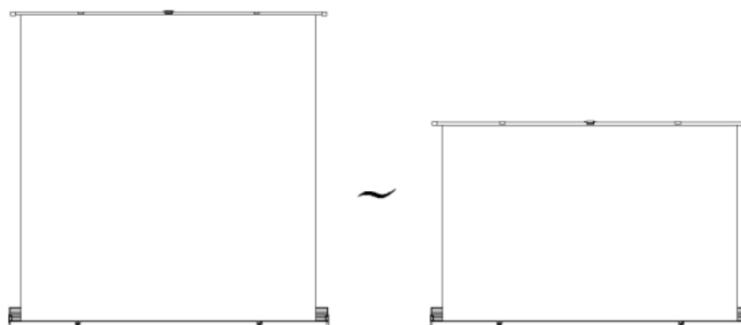
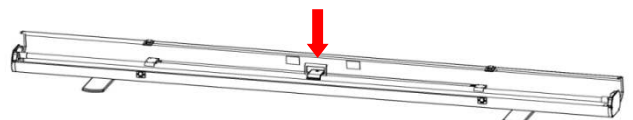
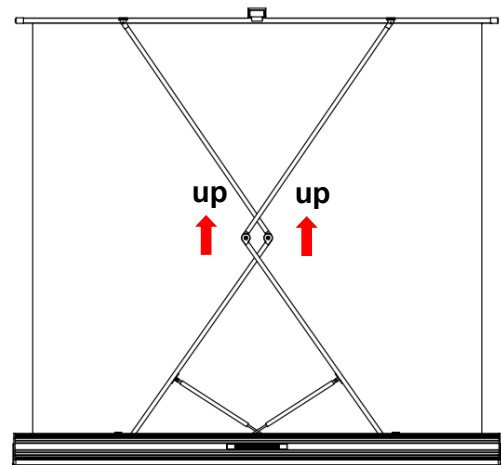


Flexible Upright Support

The ezCinema X-Ratio / ezCinema Tab-Tension X-Ratio utilizes a cross-spring riser that facilitates its free-standing operation. When the mechanism expands to its full height, the screen may develop a slight forward tilt. This is a natural feature to enhance surface tension and stability. The best results are achieved with a tabletop-mounted projector and a flat, level floor for the screen.

Hold the rod handle with both hands and slowly pull up the screen vertically; you can decide the viewing area size according to your needs, such as the need to raise the curtain to the highest position to allow the audience to see the screen from afar, and then hold both sides of the support rod with both hands, and push upward with both hands at the same time to the highest.

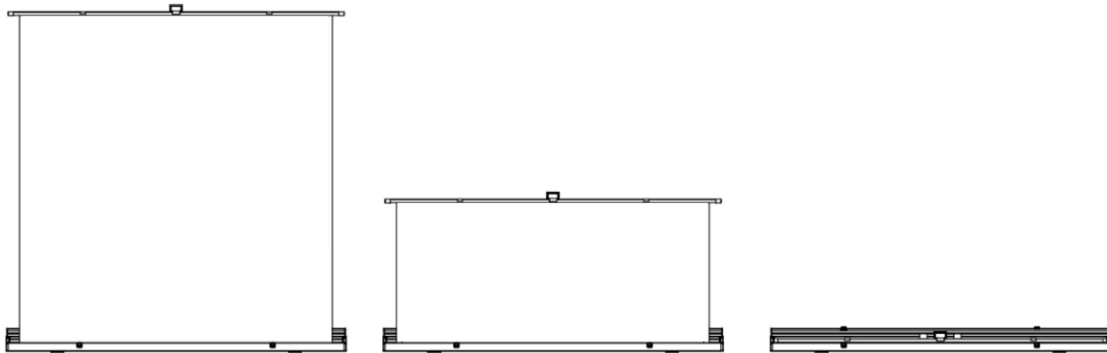
The screen can be positioned as shown below as long as it is passed the viewing area that will accommodate the aspect ratio you are going to use.



PUTTING THE SCREEN AWAY

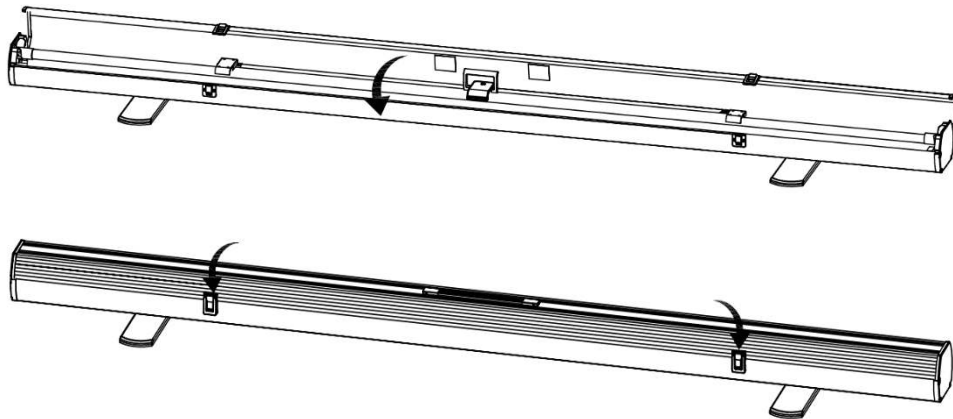
Retract the screen into case:

Hold the top handle of the screen with your hand and slowly press the screen vertically downward. Keep your hand on the top handle until the screen is fully engaged in the housing.



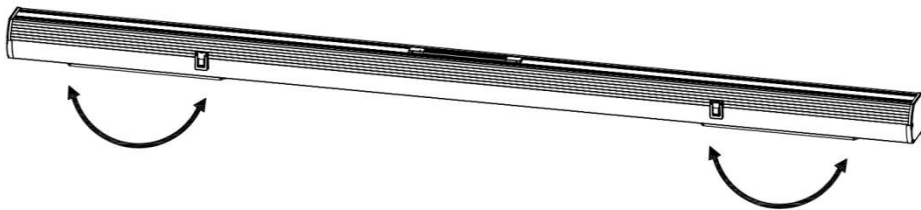
Closing it up:

Cover the top cover of the outer cover back to the buckle cover, both sides of the latch lock.



Draw the base feet back:

Rotate the feet so that it is parallel to the outer cover.



The following points should be noted to ensure the sound performance of the screen:

1. Never use your hand to touch the screen surface.
2. Never write on the screen with pens, pencils, markers, etc.
3. Don't touch the screen with hard or sharp objects.
4. Please use a clean cotton cloth or soft dust brush to remove any dust particles on the screen.
5. The screen material may be cleaned with mild soap and water on a soft cloth.
6. Avoid using or storing the screen in extreme temperatures and direct sunlight.
7. The screen must be placed in horizontal position on a level ground, avoid placing screen upright.

For more information, technical support or your local Elite Screens contact, please visit www.elitescreens.com