



Spectrum Tab-Tension 2 CineGrey 3D® Series

[Ceiling/Ambient Light Rejecting \(CLR®/ALR\)](#)

[Electric Projector Screen](#)

For standard long throw projectors

User's Guide – H Type

V1

Thank you for choosing the *Spectrum Tab-Tension 2 CineGrey 3D®* Series projection screen! The screen material included is our *award winning GREENGUARD GOLD and ISF Certified CineGrey 3D®* which is a front projection material, precisely formulated for environments with minimal control over room lighting. It was designed to *enhance picture brightness, offer accurate color fidelity, and improve contrast levels*. The *CineGrey 3D®* is best for family rooms, educational facilities, conference rooms, house of worship or any applications in which incident light is a factor. **Compatible only with standard long throw projectors.**

In order for the *CineGrey 3D®* to maintain its projection qualities and optimum performance please refer to the list below for proper maintenance and cleaning.

- Use a dry microfiber cloth to remove dust from the screen's surface.
- When cleaning, use a damp microfiber cloth with warm water to remove any marks.
- Never rub or apply pressure when cleaning the surface.
- Never attempt to use any solutions, chemicals or abrasive cleaners on the screen surface.
- In order to avoid damaging the screen, avoid touching it directly with your fingers, pens/pencils or any other sharp or abrasive objects.

Important Safety Precautions

Make sure to read this user's guide and follow the procedures below prior to screen operation.

- Please retain this user's guide for future reference.
- To avoid damaging the unit, do not use with any accessories/triggering sources not recommended or specified by the supplier.
- Handle the unit carefully during transportation to avoid any damages.
- To ensure safe and reliable operation, direct connection to a properly grounded power source is advised.
- The power outlet supplying power to the unit should be close to the unit and easily accessible.
- Do not install the unit on uneven or inclined surfaces.
- Do not hang any objects on the power cord and position the cord properly to avoid tripping over it.
- Never overload the power cord to prevent an electric shock or fire due to a loose contact or a short circuit.
- There are no user serviceable parts in this unit. Do not attempt to disassemble this unit by yourself. No one except authorized technicians can open the casing and make repairs to this unit.
- Make sure that the power source this unit is connected to has a continuous power flow.
- If there is need for use of an extension cord, make sure the cord has an equal rating as the electrical device to avoid overheating.
- Do not handle the power cord when your hands are wet or your feet are in contact with water.
- Unplug the power cord during extreme weather conditions such as heavy rain, gusty winds, thunder or lightning.
- Avoid direct Sunlight, moisture/rain to this unit.
- Do not mount near high temperature environments to prevent this device from overheating.
- Fully disconnect from the power supply when the unit is not in use for a long period of time, as should be done with any other electrical household appliance.
- To avoid possible injury and/or an electric shock, do not attempt to use the screen if there is obvious damage or if there are any evident broken parts.

WARNING

The screen's deployment is already set from the factory to drop to its maximum distance. There is NO extra black masking on the roller to allow for a lower drop. Please be aware of this as adjusting the screen's limit motor will void your warranty if the motor becomes faulty. Unapproved changes or modifications (except for cutting the power cord for hardwire installations) to this unit are prohibited and will void your warranty. For more information, please contact our Technical Support Department at tehcsupport@elitescreens.com

NOTE: This equipment has been tested and found to comply with the limits for a Class B digital device, pursuant to Part 15 of the FCC Rules.

These limits are designed to provide reasonable protection against harmful interference in a residential installation. This equipment generates and can radiate radio frequency energy and, if not installed and used in accordance with the instructions, may cause harmful interference to radio communications.

However, there is no guarantee that the interference will not occur on a particular installation. If this equipment causes harmful interference to radio or television reception, which can be determined by turning the equipment off and on, the user is encouraged to try to correct the interference by one or more of the following measures.

- ✓ Reorient or relocate the receiving antenna of the device which may be causing the interference.
- ✓ Increase the separation between the screen and the device's receiver.
- ✓ Connect the equipment into a different power outlet other than the device.

Pre-Installation

1. Carefully unpack the screen.
2. Always handle the screen upright on a level, clean surface.
3. Keep the screen out of contact with foreign particles such as dust, sawdust, and/or liquids.

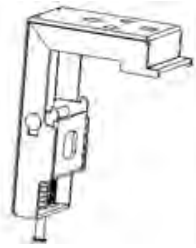
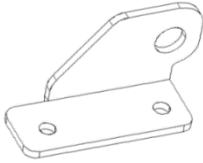


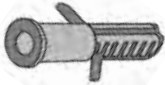
Note:

Wall screws included with this product are complementary and may not be adequate for all mounting surfaces. Consult with a professional installer or hardware store for proper mounting screws and anchors.

Regardless of the mounting method, the screen should be securely supported so that the vibration or pulling on the viewing surface will not cause the casing to become loose or fall. Included mounting screws are complimentary and may not be appropriate for all mounting surfaces. Use appropriate anchors to safely secure the screen to the mounting surface or consult with a professional installer.

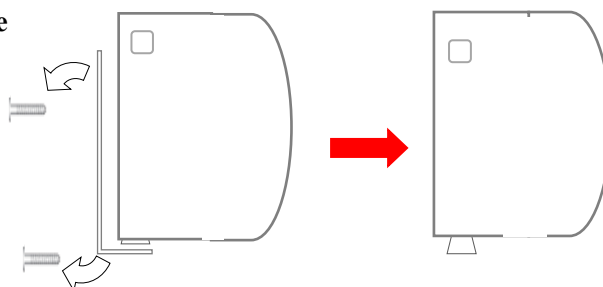
Hardware and Parts List

Please make sure all parts listed below are included before proceeding with the installation.

A. Bracket x 2	B. Suspended Ceiling Bracket Connector x 2	C. M5 x 12 screw x 4	D. M5.5 screw x8	E. Anchor x 8
				

Please note: Remove the shipping brackets attached to the weight bar before fully operating the screen.

Unscrew both screws from the shipping brackets and safely remove them from the weight bar.



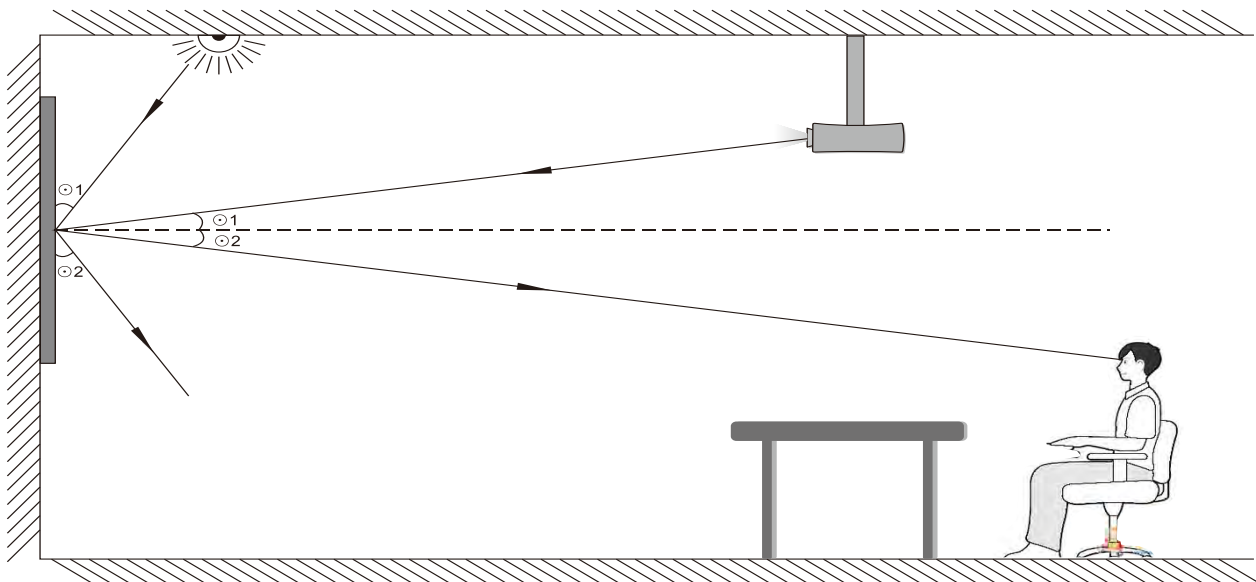
Notice to Installer:

Please use the following installation instructions to obtain superior optical performance from the CineGrey 3D Angular Reflective ALR (Ambient Light Rejecting) Screen

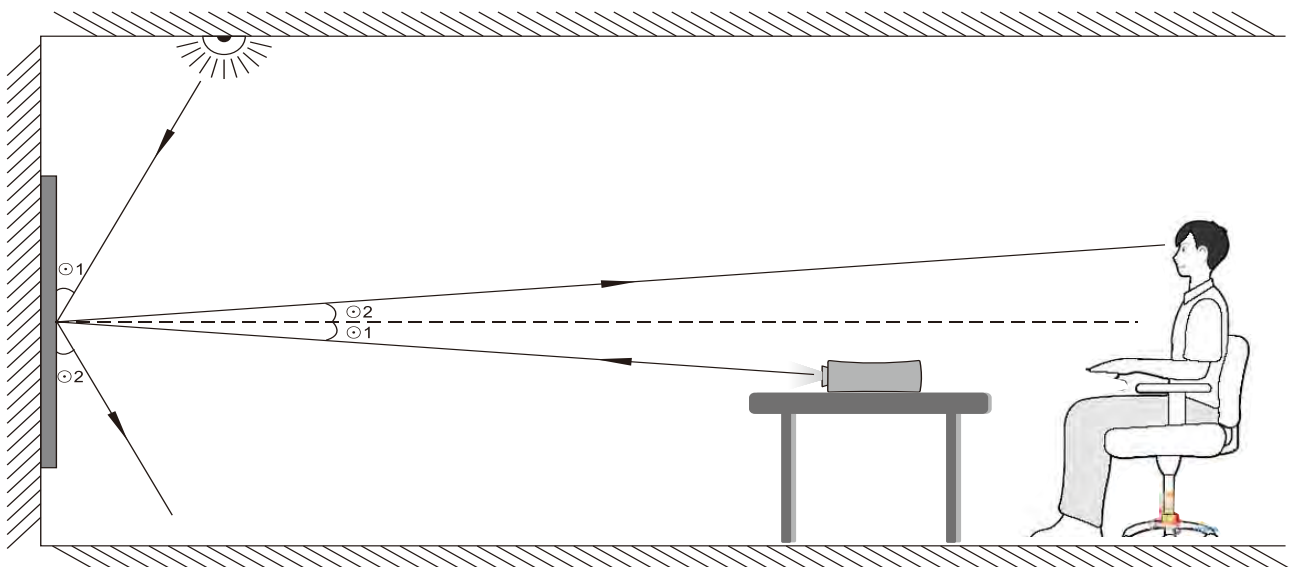
Make sure to follow these instructions in order for the CineGrey 3D to perform correctly.

- A. Ambient Light must not come from the same direction as the projector's light
- B. Minimum Lens Throw Ratio of 1.5x image width
- C. Not compatible with ultra-short and short-throw projectors

Projector Ceiling Installation: Make sure the projector (*light in*) is angled ($\theta 1$) to reflect ($\theta 2$) at the mirror-opposite angle (*light out*) to align with the viewer's eye level.



Projector Tabletop: Make sure the projector (*light in*) is angled ($\theta 1$) to reflect ($\theta 2$) at the mirror-opposite angle (*light out*) to align with the viewer's eye level.



Images are not up to scale and are for illustrations purposes only.

Note: Improper installation will result in light loss and produce a dark image. This is due to the projector's light reflecting in the wrong direction.

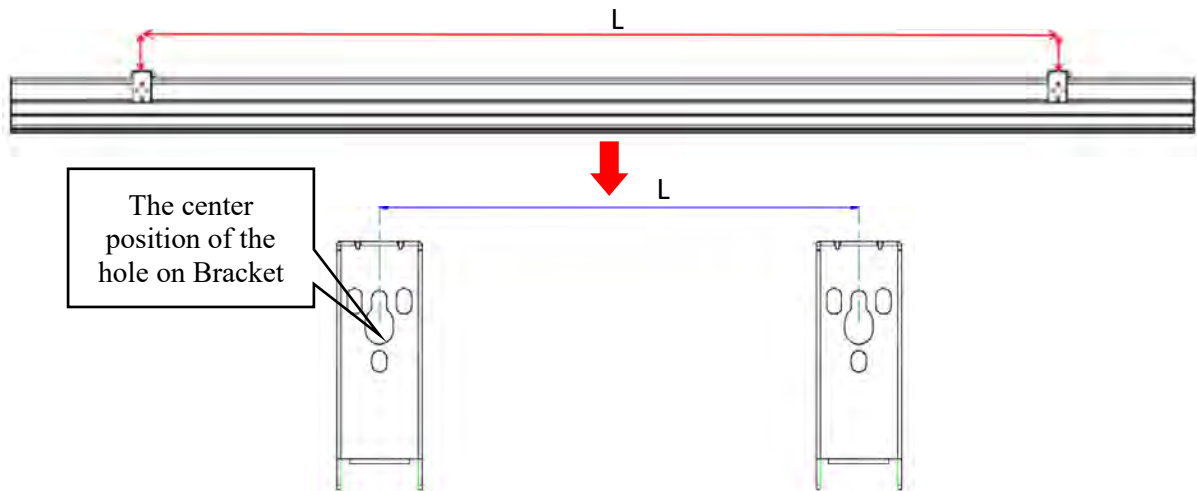
Installation Instructions

For installation assistance, please consult a professional Installer. Elite Screens is not liable for faulty installations.

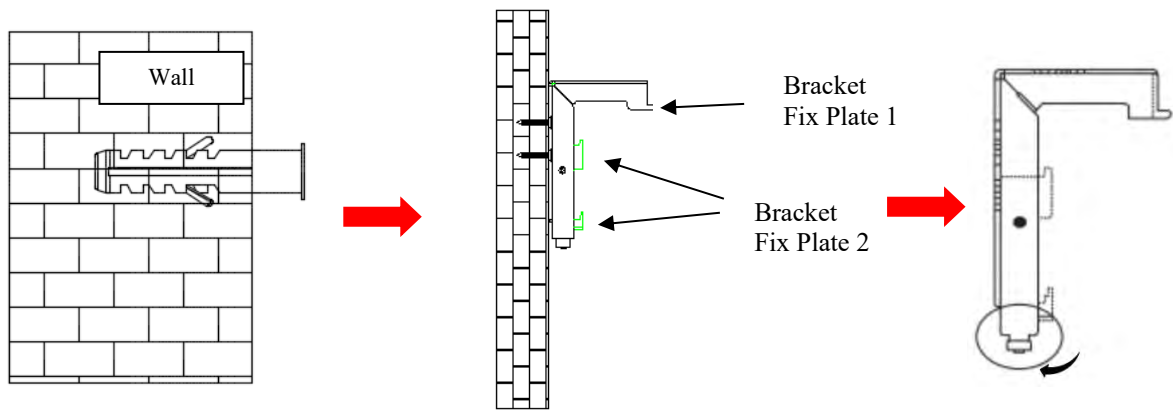
A. Wall Mount (movable position)

1. Mark the location of where the screen is to be installed on the wall.

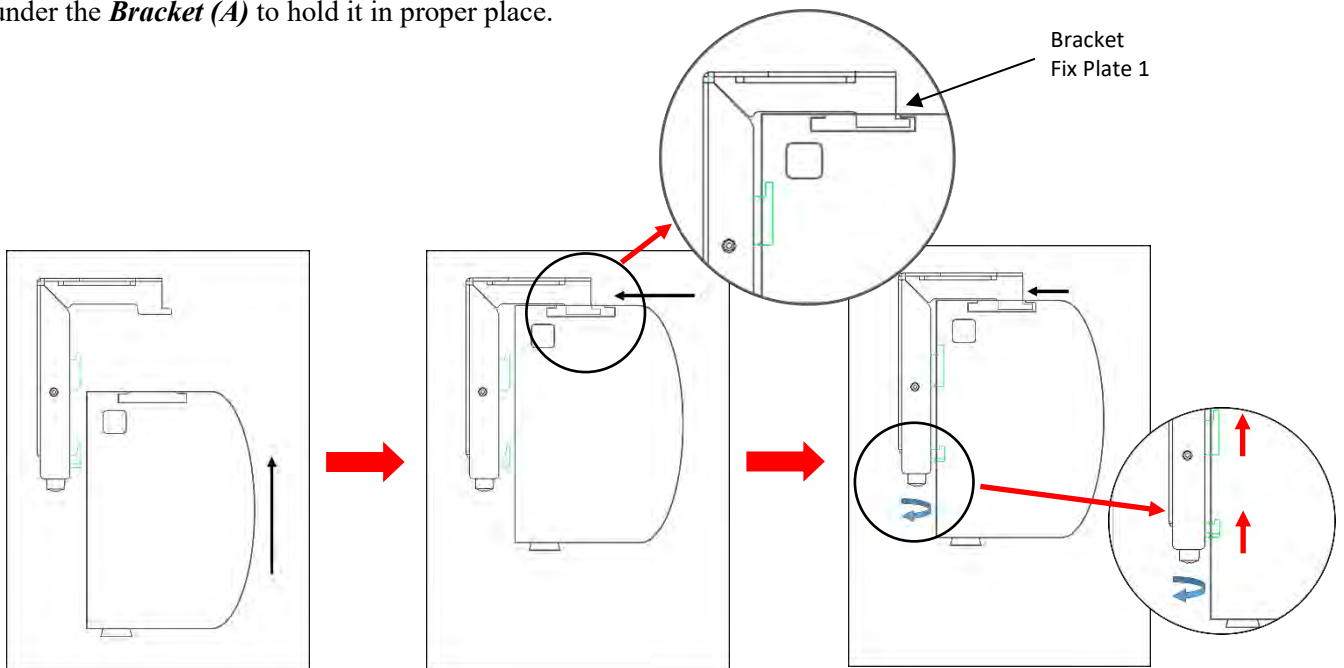
Note: The bracket distance (L) should be less than the length of the screen.



2. Drill the holes and insert the **Anchors (E)** and install the bracket into the wall with the **M5.5 screws (D)**. Then loosen the screw under the **Bracket (A)** by turning it counterclockwise.



3. Attach the screen to the **Brackets (A)** by inserting the top of the case to Fix Plate 1 and securing the back of the case to Fix Plate 2. Make sure the case slots are securely attached to the mounting brackets, then tighten the screws under the **Bracket (A)** to hold it in proper place.



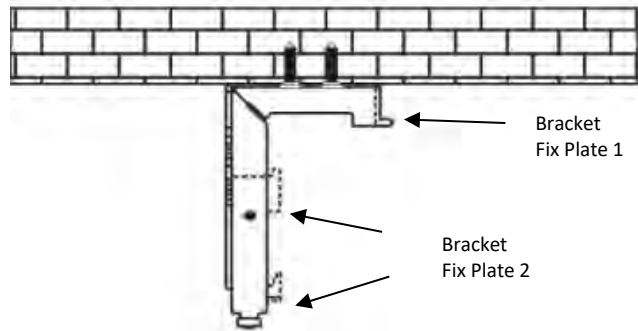
B. Ceiling Mount

I. Ceiling Mount (movable position)

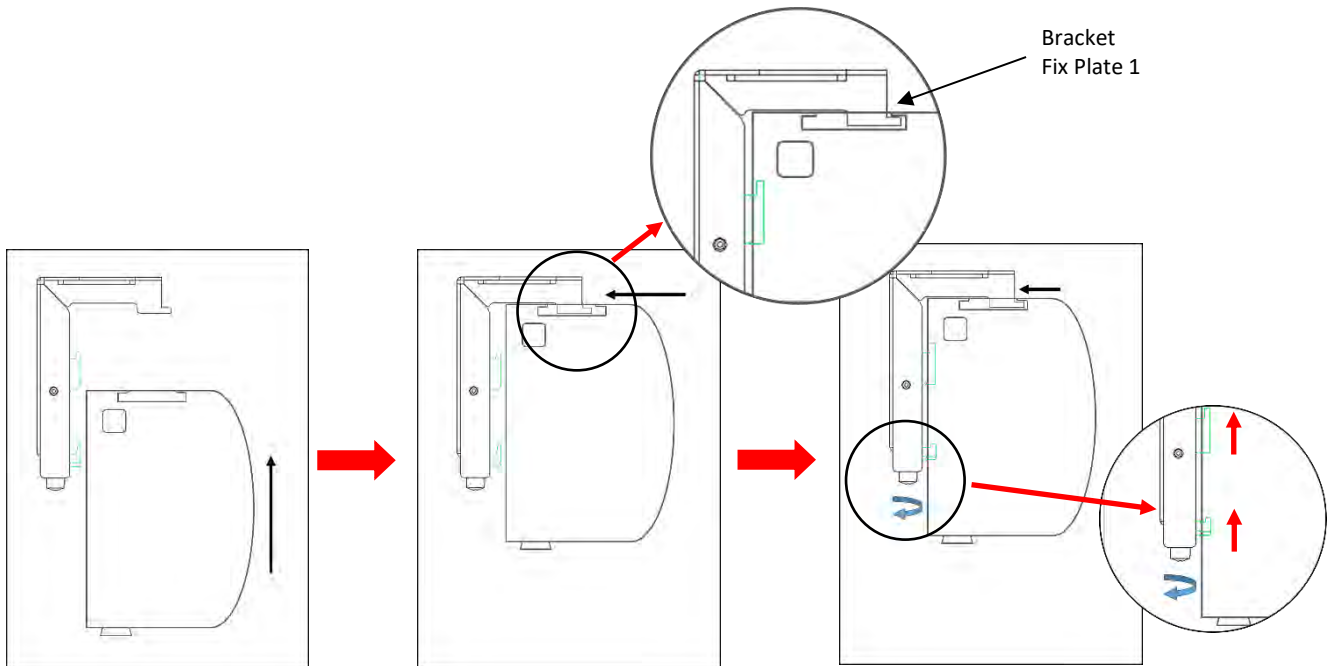
1. Mark the location of where the screen is to be installed on the ceiling.
Note: The bracket distance (L) should be less than the length of the screen.



2. Drill the holes and insert the **Anchors (E)** and install the bracket into the wall with the **M5.5 screws (D)**. Then loosen the screw under the **Bracket (A)** by turning it counterclockwise.



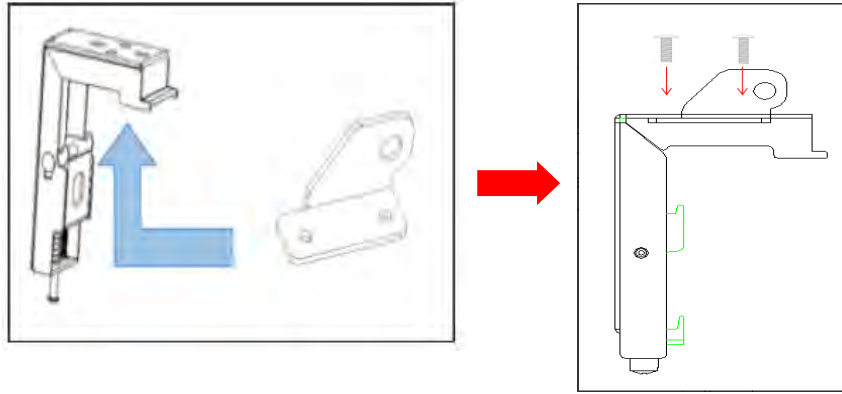
3. Attach the screen to the **Bracket (A)** by inserting the top of the case to **Fix Plate 1** and securing the back of the case to **Fix Plate 2**. Make sure the case slots are securely attached to the mounting brackets, then tighten the screws under the **Bracket (A)** to hold it in proper place.



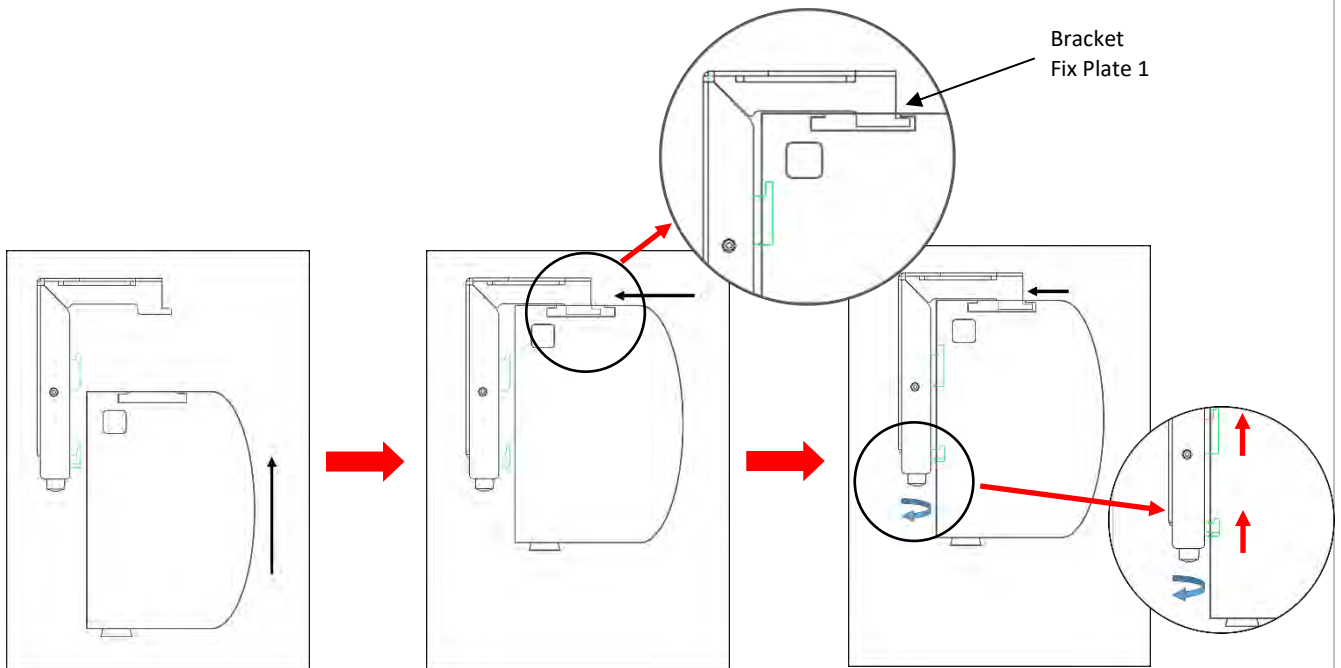
II. Suspended

1. You can also hang the screen on a ceiling by using chains (not included).

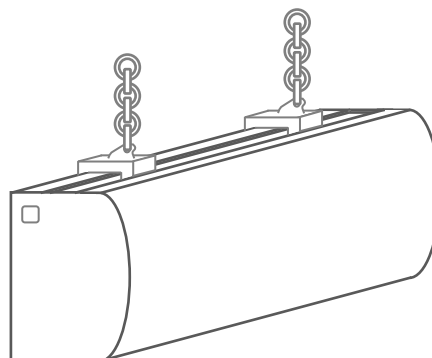
2. Connect the **Suspended Ceiling Bracket Connector (B)** to **Bracket (A)** and secure with the **M5x12 Screws (C)**




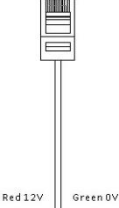


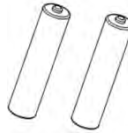


3. Attach the screen to the **Brackets (A)** by inserting the top of the case to **Fix Plate 1** and securing the back of the case to **Fix Plate 2**.
Make sure the case slots are securely attached to the mounting brackets, then tighten the screws under the **Bracket (A)** to hold it in proper place.



4. Insert chains (not included) through the loopholes of the **Suspended Ceiling Bracket Connector (B)**.



A. Infrared (IR) Remote	B. Radio Frequency (RF) Remote	C. Wall switch control box	D. 5-12 volt trigger cable	E. IR extended "eye" receiver	F. Wireless 5-12v (3.5mm) mono to USB trigger cable	G. AAA batteries
						

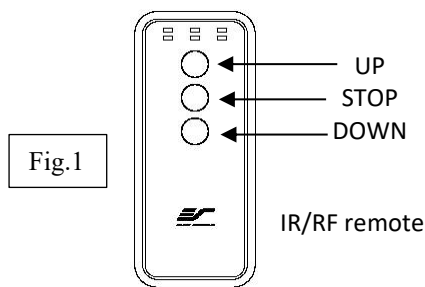
Screen operation

Electric Current: Depending upon region, your Elite Screen will operate on 100v, 110v, or 220v voltage.

1. After ensuring the power outlet & screen are compatible (voltage), plug the power cord into the power outlet.
2. Once the screen has power, you'll be able to control it using any of the 6 methods described below.

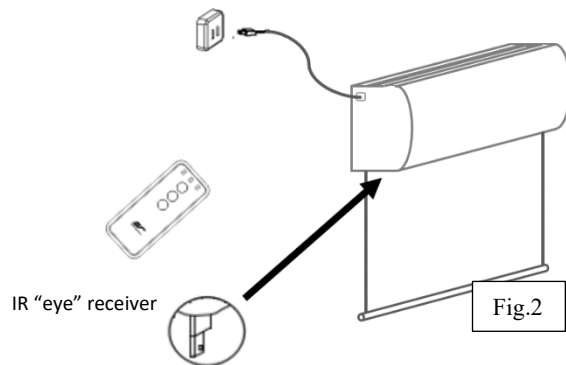
6 ways to control your Spectrum Tab-Tension 2 motorized screen

1. IR remote control (Item A, Fig 1): The Infrared functions by direct line of sight contact using a beam range of 30 feet. Aim the IR remote at the circular window located on the left side of the screen.

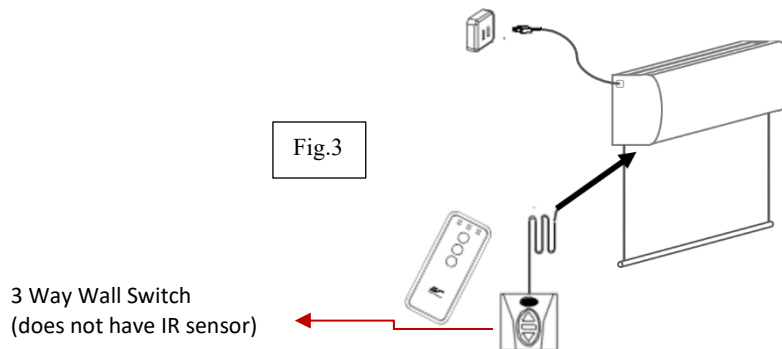


2. RF Remote Control (Item B): The radio waves eliminate the need for a direct line of sight and has a range of 100 feet.

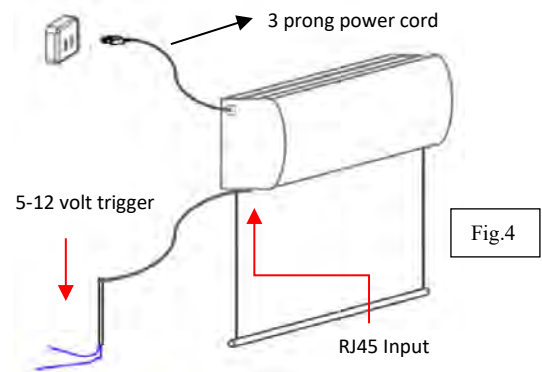
3. IR "Eye" Receiver (Item E, Fig 2): The IR "Eye" Receiver plugs directly into the screen's RJ-45 input to present a low-profile line-of-sight control option for your IR remote control. It is an extended eye-receiver to accommodate a recessed ceiling installation.



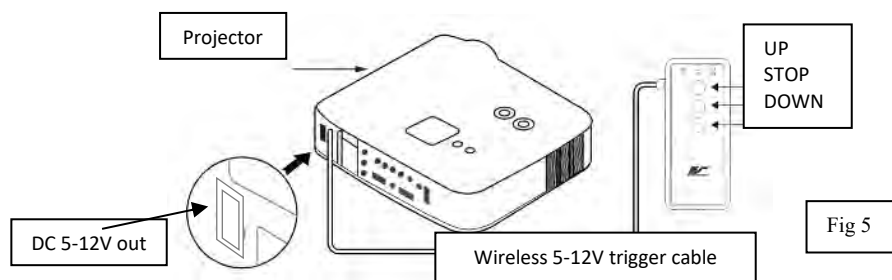
4. 3-Way Wall Switch (Item C, Fig 3): The 3-way wall switch is a wall mounted control box with an up/stop/down button. It plugs directly into the screen's RJ-45 input.



5. 5-12 volt trigger (Item D, Fig 4): The built-in 5-12V trigger input allows your screen to synchronize its drop & rise with the projector's power cycle. The screen deploys when the projector powers up and will retract when the projector powers down. The 5-12 volt RJ45 cable connects to your projector's trigger output via a separate cable that may or may not be provided by the manufacturer of the projector. The trigger feature will not work without an output cable from the projector, but it can be tested by connecting the Red (+) and Green (-) cable to a 9-volt battery.



6. Wireless 5-12 volt trigger (Item F, Fig 5): The RF remote control serves as a dual purpose, independently as a handheld remote control, or as a Wireless 5-12 volt trigger using the trigger cable. The radio frequency technology can be programmed to send a wireless signal that synchronizes screen drop & rise with the projector's power cycle.



Here's how to set up your Wireless 5-12 volt trigger | Synchronization Instructions

- Step 1:** Connect one end of the 3.5 mm wireless 5-12 volt trigger cable to the RF remote.
 - Step 2:** Connect the USB connector of the wireless 5-12 volt trigger cable to your projector USB port.
 - Step 3:** Make sure to unplug your screen from the power outlet
 - Step 4:** Hold the UP button on your RF remote
 - Step 5:** While holding the UP button, plug the screen back to the power outlet
 - Step 6:** Wait 5 seconds and then release the UP button
 - Step 7:** Your 5-12V wireless trigger should now be activated with your screen and ready to be used and able to control your screen with your projector's power cycle
- Repeat the steps again if not successful.

(Please be aware, the projector on/off cycle may take longer to fully activate. It usually takes around 20- 30seconds for full off and on cycle each time)

For more information, support or your local Elite Screens contact,
please visit <http://www.elitescreens.com/>