



ELITE SCREENS

ezCinema Series

Portable Floor Pull-Up Screen

USER'S GUIDE

Precautions:



Warning! Screen damage can result from product mishandling if the following precautions are not followed.



In accordance with practicing home fire safety and to avoid screen damage, do not place the screen near or beside a fireplace or high temperature appliances such as a gas stove, BBQ or heater. (Fig. 1)

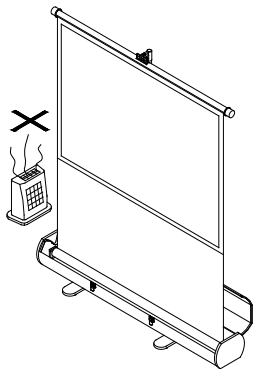


Fig.1

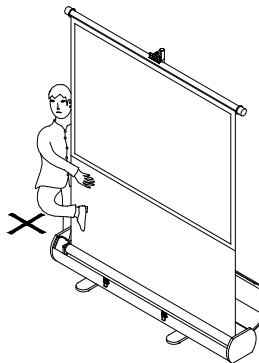


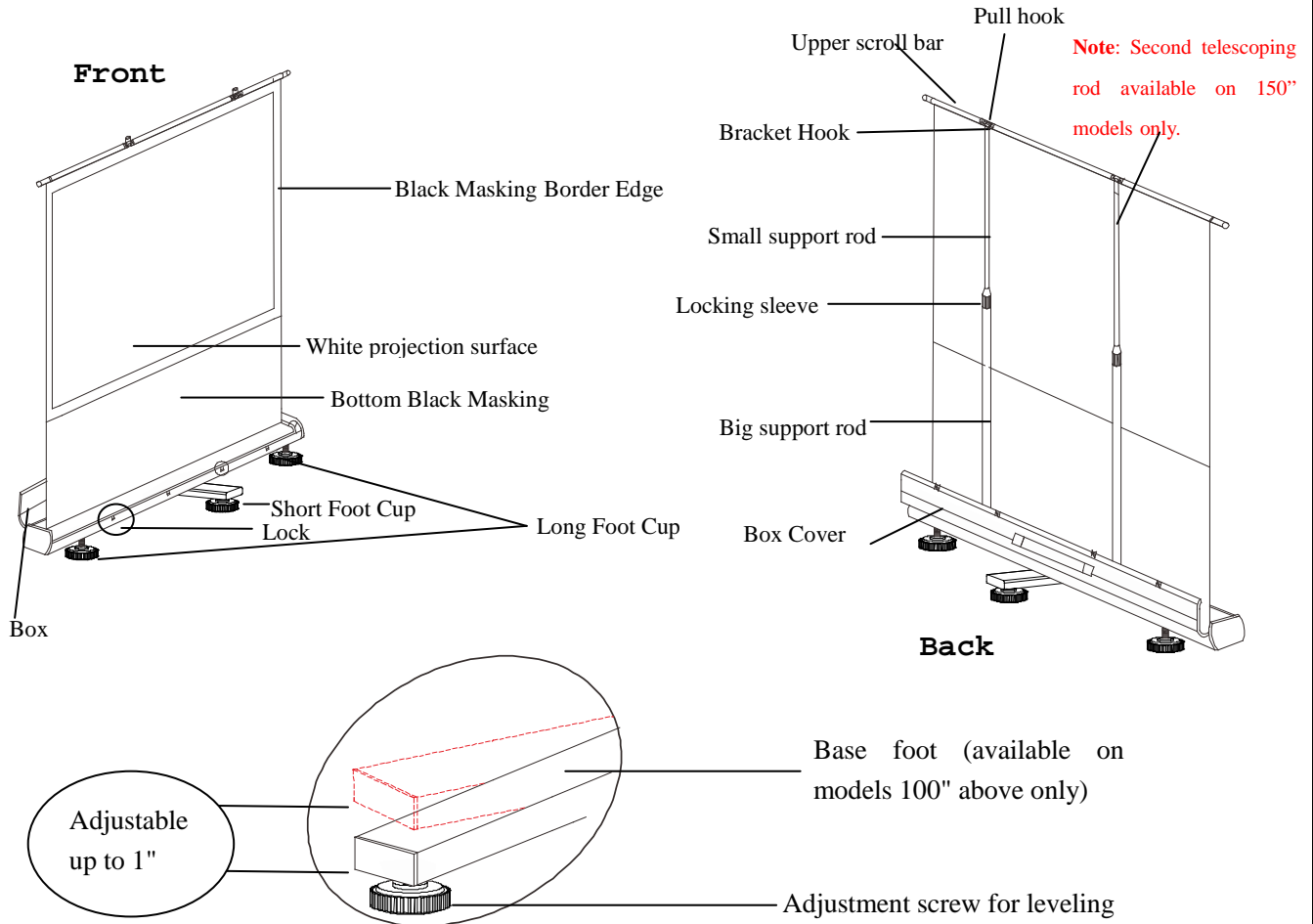
Fig.2



Place the screen beyond the reach of children. (Fig.2)

PARTS IDENTIFICATION:

For models 100", 120", 135" and 150"



Refer to the table below for information regarding quantity of the base feet and cup

Diagonal Size	QTY (Base foot)	QTY (Short Foot Cup)	QTY (Long Foot Cup)
100"	1 pcs	2 pcs	2 pcs
120"	1 pcs	2 pcs	2 pcs
135"	3 pcs	6 pcs	0 pcs
150"	2 pcs	4 pcs	0 pcs

Attention:

- Please install the two telescoping support rods simultaneously when pulling up and retracting the screen material.
- Do not use the screen in a very strong windy environment
- Do not use on uneven surfaces

New Functions and features of F100 and above models:

1. Base foot allows screen to be adjusted up to 1 inch to level the screen to the ground
2. 40" bottom black border of F120 and above models for better viewing for people in the back

Setting up the screen

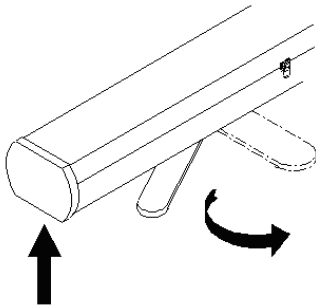
Installation:

The ezCinema screen is designed to be used as an easy to operate portable screen for a variety of presentation environments. Its design enables it to be versatile for use in either classroom, conference room, home or patio presentations. When packed, the unit carries with ease and opens up for projection presentations within seconds. As a general rule, portable projector screens should be installed in an area free from wind and heat or open flame sources such as a heater, BBQ grill or fireworks display.

Extend the base feet:

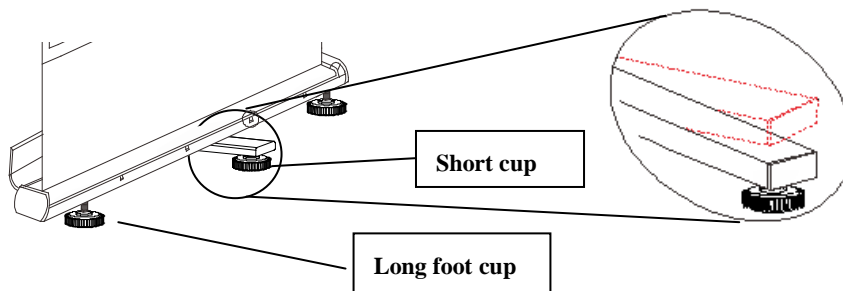
For sizes below 100"

Locate the base feet on the bottom of the box cover at each end and rotate the base foot until it forms a right angle between the footboard and the cover box.



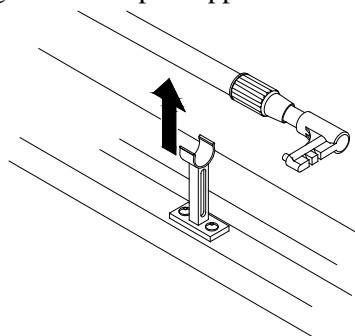
For sizes 100" – 150"

All models including 100" utilize the short and long feet cups. Locate each screw hole on the bottom of the case of the screen and screw in a short foot cup on the base feet and the long foot cup on the ends. **Short cups included only in the 135" and 150" models.**



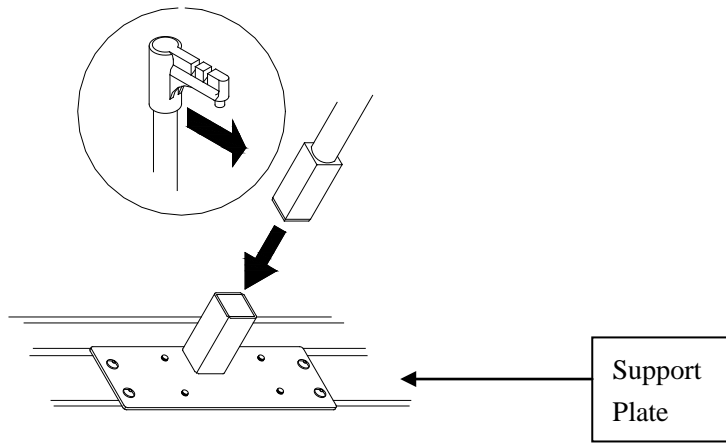
Open the box cover:

Unlatch the buckles on both ends of the box and open the box cover. Next, secure the box with one hand while removing the telescopic support rod with your other hand.



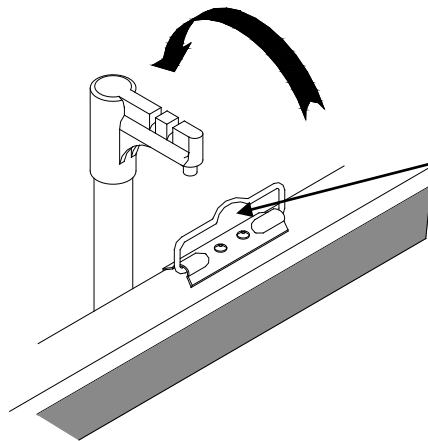
Installing the support rod:

First, make sure that the hanging hook is pointing toward the front facing the same direction as the screen, then insert the square end of the telescopic support rod into the support plate as shown below.



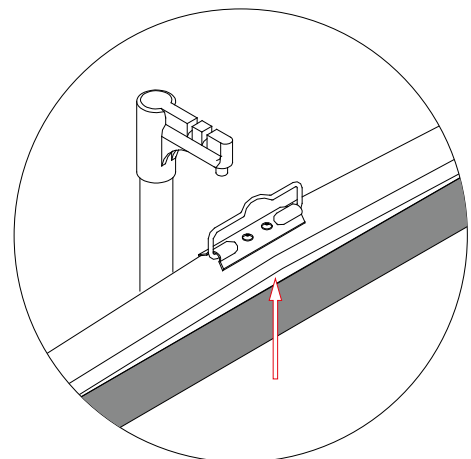
Pull up the screen:

Hold the pull hook with one hand, pull the screen up gently and hang it on the bracket hook.



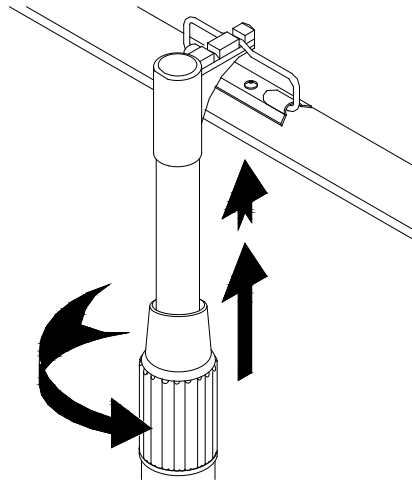
When attaching/detaching the screen to the pull hook, please be sure to raise the screen using the handle indicated here as pulling on other parts of the top support bar may cause damage to the screen. Make sure to firmly hold the handle to avoid the screens from suddenly retracting into the housing.

Note: When attaching the screen to the pull hook, you may notice a slight gap between the top bar and screen material. This is completely normal and it is used to maintain a leveled flat surface when projecting an image.



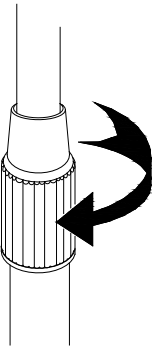
Vertical Adjustment:

First loosen the locking sleeve, and then hold the small support rod with the left hand so as to slowly raise it upwards until the screen is fully stretched to the desired position.



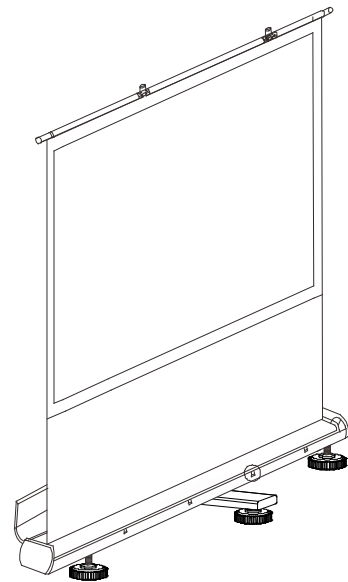
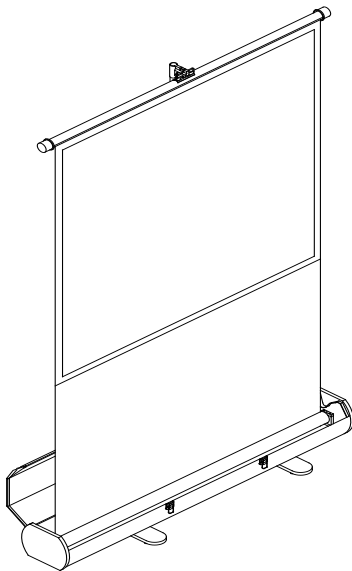
Adjusting the screen:

Hold the screen with the left hand when the screen has been stretched to the desired position, and then rotate the locking sleeve clockwise with the right hand until the telescopic rod is properly locked into position.



Screen completely assembled

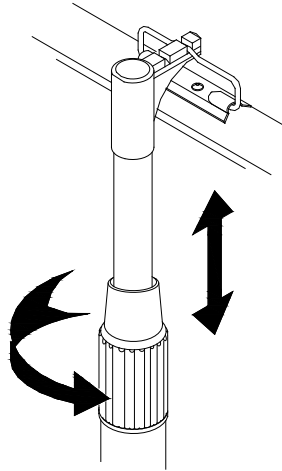
Below diagrams just used for reference and may vary on your model.



Preparing screen for storage

1. Pulling down the screen:

First, hold the telescopic support rod with the left hand and loosen the locking sleeve counter-clockwise with the right hand. Then shorten the telescoping support rod slowly into the full retracted position and tighten the locking sleeve to secure it in place.

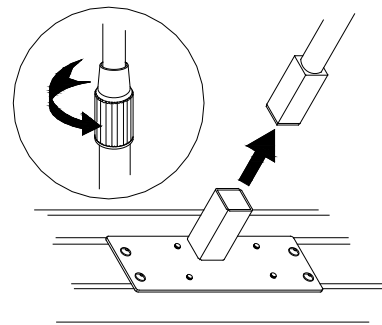
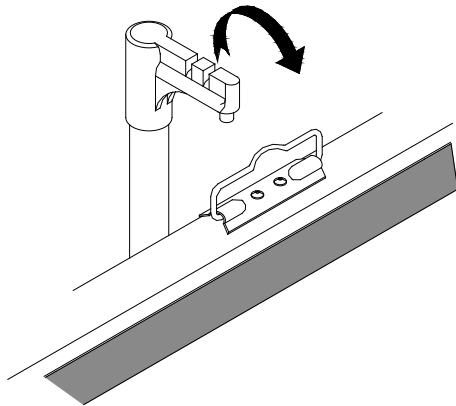


2. Retract the screen:

Remove the pull hook from the support bracket by lifting it about 2 cm up and then hold on to the pull hook and lower the screen gently into the box.

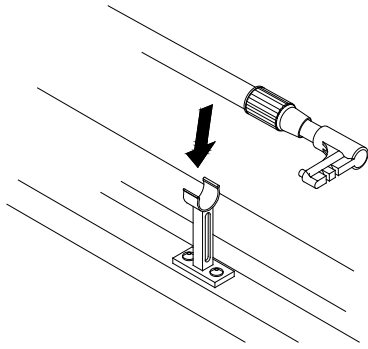
3. Pulling out the telescopic support rod:

After telescoping the small supporting rod to its shortest position and tightening the locking sleeve, take out the supporting rod from the support plate.



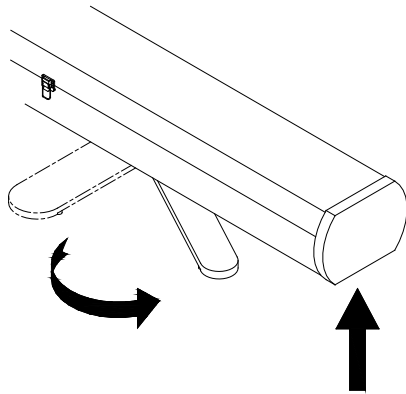
4. Storing the telescopic support rod:

Properly center the supporting rod in the middle to maintain the weight balance in the box when carrying.



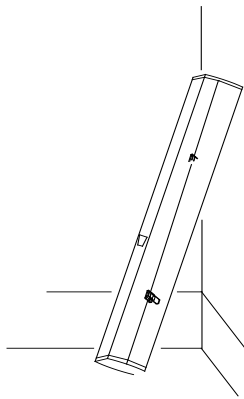
5. Draw the base feet back:

Slightly lift each end of the box in turn rotating the two base feet underneath until they are back into alignment with the box.



6. Storing the screen:

The recommended place for storage would be a corner of the room or in a closet, but the ultimate choice is up to you.



The following points should be noted to assure the sound performance of the screen

1. Never use your hand to touch the screen surface.
2. Never write on the screen with pens, pencils, markers, etc..
3. Don't touch the screen with hard or sharp objects.
4. Please use a clean cotton cloth or soft dust brush to remove any dust particles on the screen.
5. The screen material may be cleaned with mild soap and water on a soft cloth
6. Avoid using or storing the screen in extreme temperatures and direct sunlight

For more information, technical support or your local Elite Screens

contact, please visit www.elitescreens.com