



Kestrel Tab-Tension CLR®

Electric Floor Rising Ceiling/Ambient Light Rejecting (CLR®/ALR) Tab-Tensioned Screen

User's Guide

IMPORTANT SAFEGUARDS

Read these instructions carefully and retain them for future use. If this product is passed to a third party, then these instructions must be included.

Caution: The screen's Black Bottom Drop is already set to its maximum drop distance. There is NO extra Black Bottom Drop in the roller. Please be aware of this as it will void your warranty with Elite Screens. Unapproved changes or modifications (except for cutting the power cord for hardwire installations) to this unit are prohibited and will void your warranty.

- To avoid damaging the unit, do not use with any unauthorized accessories not recommended by the supplier.
- Handle the unit carefully during transportation to avoid any damages.
- To ensure safe and reliable operation, direct connection to a properly grounded power source is advised.
- The power outlet supplying power to the unit should be close to the unit and easily accessible.
- Do not install the unit on uneven or inclined surfaces.
- Do not put heavy objects on the power cord and position it properly to avoid creating a trip obstacle.
- Never overload the power cord to prevent an electric shock or fire due to a loose contact or a short circuit.
- There are not user serviceable parts in this unit. Do not attempt to disassemble this unit by yourself. No one except authorized technicians can open and make repairs to this unit.
- Make sure the power source this unit is connected to has a continuous power flow.
- If there is need to use an extension cord, make sure the cord has an equal rating as the appliance to avoid overheat.
- Do not handle the power plug when your hands are wet, or your feet are in contact with water.

Do not use this unit under the following circumstances.

- Disconnect the power cord under the conditions of heavy rain, wind, thunder or lightning.
- Avoid direct Sunshine, rain shower and moisture.
- Keep away from fire sources and high temperature to prevent this device from overheating.
- Cut off the power supply first before transportation or maintenance.
- Fully disconnect from the power supply when the unit is not in use for a long period of time, as should be done with any other electric household appliance.
- To avoid possible injury and/or an electric shock, do not attempt to use the screen if there is obvious damage or if there are any evident broken parts.
- Keep hands clear from the closing panels.
- Keep away from children when screen is in operation.

WARNING

Individual modifications to this product are prohibited and will void the supplier's warranty. Please contact Elite Screens Customer Service Team with any questions.

NOTE:

This equipment has been tested and found to comply with the limits for a Class B digital device, pursuant to Part 15 of the FCC Rules.

The product settings are designed to provide reasonable protection against any radio interference within a residential installation. If properly installed, the screen may suffer from RF interference from other home electronics.

Although radio interference affecting other household electronics is unlikely, the following steps can be taken should RF interference occur.

- ✓ **Reorient or relocate the receiving antenna on the device that may be causing the interference.**
- ✓ **Increase the distance between the screen and the interfering device's receiver.**
- ✓ **Connect the projection screen to another power source apart from the interfering device.**

SCREEN MAINTAINANCE

Dust, dirt and scratches on the projection screen surface will affect the quality and performance of the projection image. For optimal results we advise to pay attention to the following instructions.

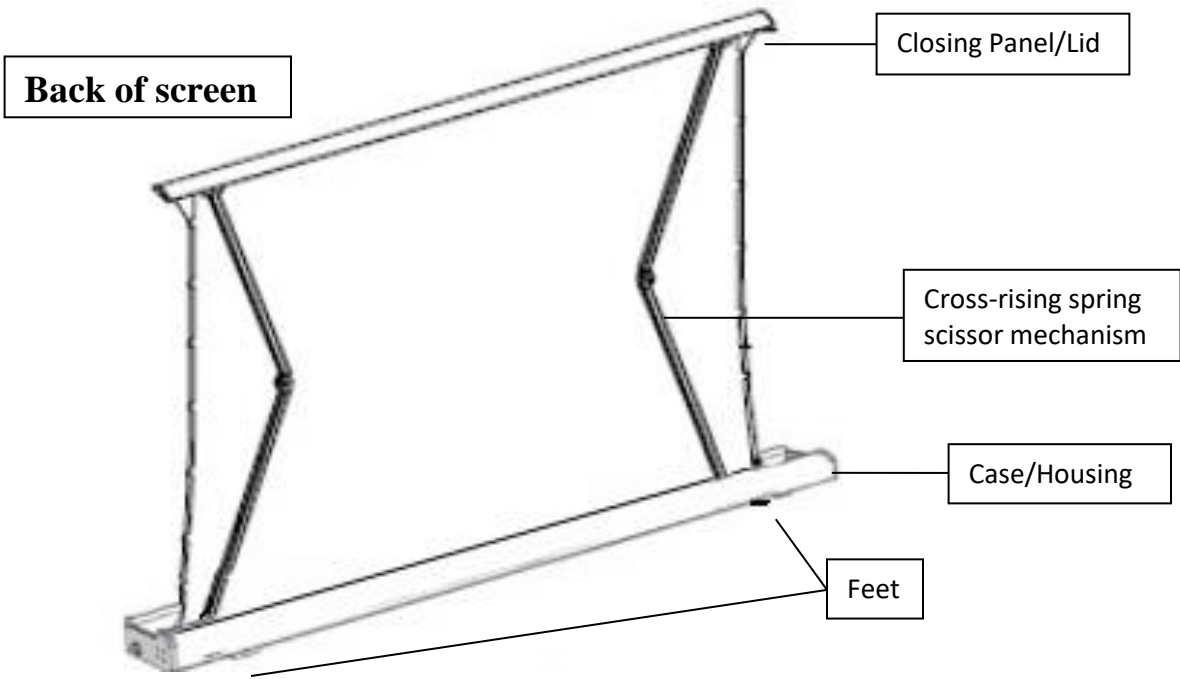
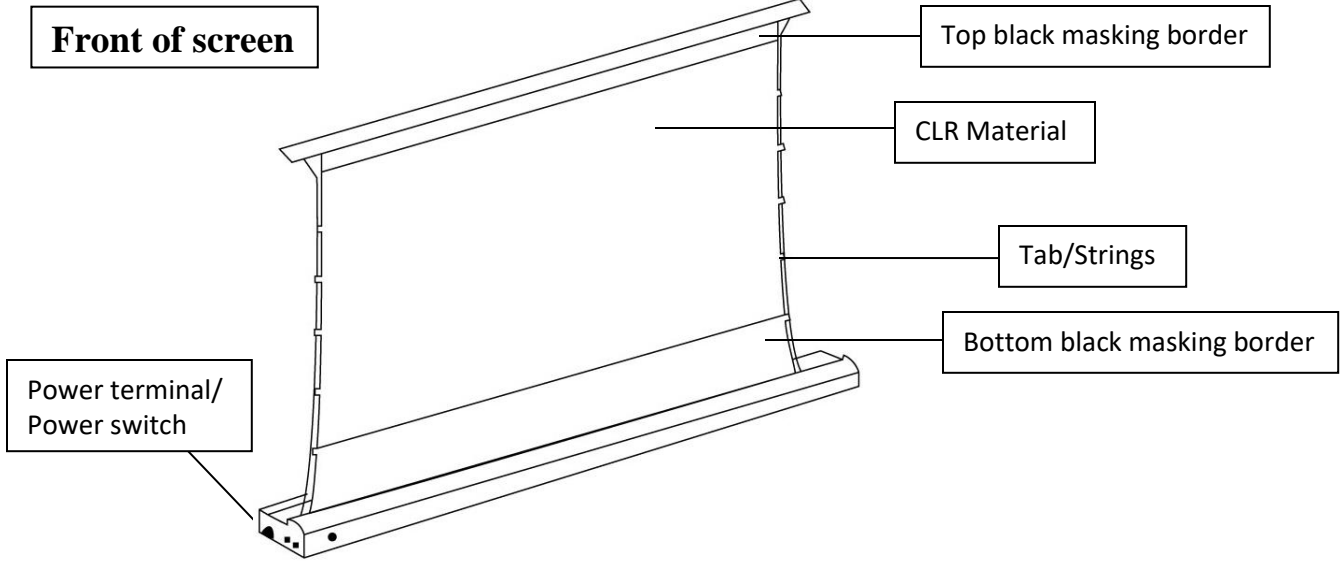
- 1) The screen surface has a horizontal structure. **DO NOT** wipe the screen up and down or in a circular motion. ***Wipe very gently when needed from left to right only.***
- 2) Please clean the dust on the screen surface with a soft brush or microfiber cloth (rough towel or cloth may damage the screen's surface).
- 3) Gently wipe the screen with a lightly moistened microfiber cloth with mild soap diluted in water.

Notes:

The following precautions should be followed at all times to avoid damaging the material, which is not covered under warranty.




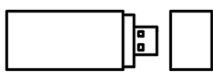
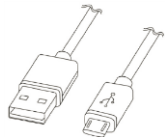
- Don't **touch** the screen material to avoid leaving fingerprints. ***Use gloves when handling the material.***
- Don't **scratch** the material, as it will leave permanent markings on the screen's surface.
- Don't **point** to the screen material with a fingertip or other sharp objects to prevent damage to the material.
- Don't use acetone, benzene, alcohol and any other organic solvents to clean the screen material. Using such chemicals will permanently damage the screen.

PARTS IDENTIFICATION



Note: Please always store the screen flat horizontally. Never store the screen in a vertical position as it will permanently damage the screen's structure and void the warranty.

Kestrel Tab-Tension CLR Series | Controls and Accessories

A. Radio Frequency (RF) Remote Control x1pc	B. Infrared (IR) Remote Control x1pc	C. IR Eye Receiver x1pc	D. Radio Frequency USB Wireless trigger x1pc	E. Micro USB Charge Cable x 1pc
<i>White</i> 	<i>Black</i> 			

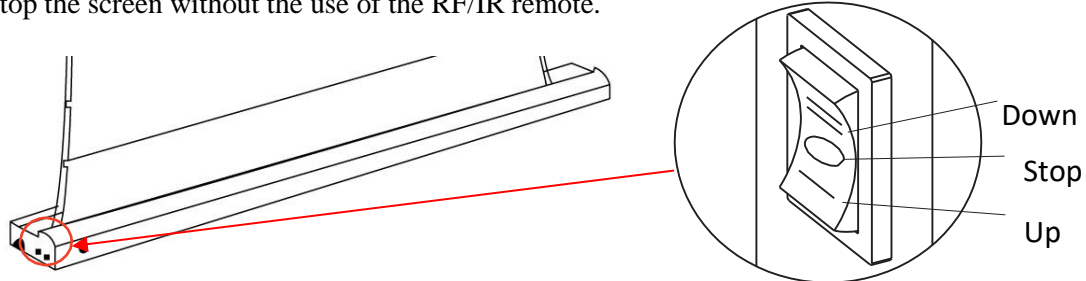
SCREEN OPERATION

Electric Current: Depending upon region, your projection screen will operate 110v or 220v voltage.

1. After ensuring the power outlet & screen are compatible (voltage), plug the power cord into the power outlet.
2. Once the screen has power, you'll be able to control it using any of the **4 methods** described below.

4 ways to control your DarkStar® Max UST-FR Screen

1. **Manual Operation Switch:** The left side of the screen's housing includes a UP/STOP/DOWN switch to raise, lower and stop the screen without the use of the RF/IR remote.



Note: Please charge the remotes prior to first use. The IR&RF remotes are touch sensitive remote controls. Make sure to place your finger directly in the center of the button when attempting to control your screen. You will see a blue light flash above the buttons when used properly.

2. **IR Remote Control (Item B/C):** The IR remote (B) requires a direct line of sight through the screen's IR receiver. Put the IR Eye Receiver (C) in a suitable location free from obstruction. Then point the IR remote to the IR Eye receiver to operate the screen.
3. **RF Remote Control (Item A):** The RF (A) remote is best used when the screen is concealed or when long distance control is required. The RF technology therefore is more versatile as it does not require line of sight to operate the screen.
4. **USB RF wireless trigger (Item D):** The RF wireless trigger (D) can synchronize your projector's power cycle to the screen's UP/DOWN operation.

※The trigger has been synchronized to your electric screen.

The trigger has been synchronized to your electric screen.

- a. **Connect** the RF wireless trigger into the projector's USB port.
Make sure to enable this feature if needed in your projector's menu settings.
- b. **Power ON** the projector. The screen should raise (up) the screen automatically.
- c. **Power OFF** the projector. The screen should descend (down) the screen automatically.

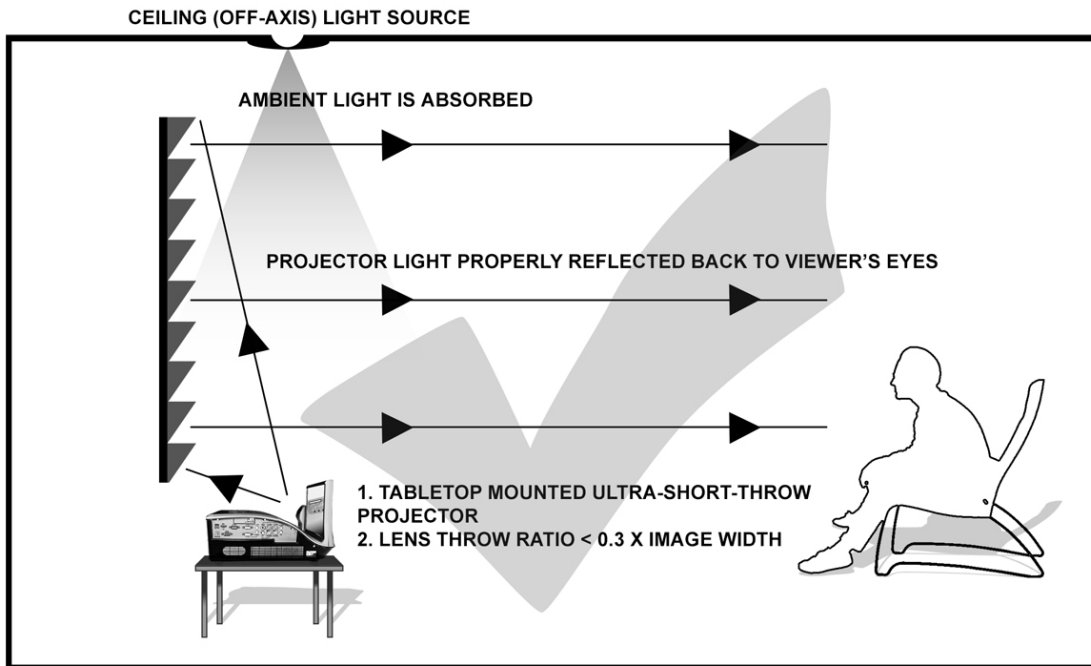
NOTE

- When powering off the projector, assure it is completely powered off (ex. fan off), then the screen will retract automatically.
- If the motorized screen does not automatically drop or retract, repeat the process from step one.

Notice to Installer:

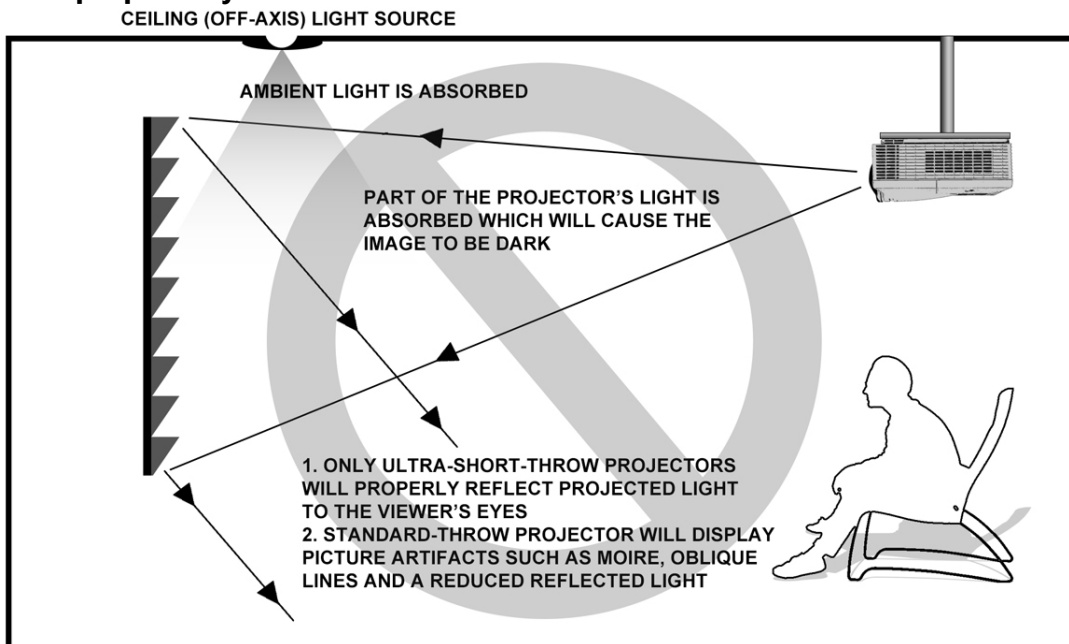
Proper Projector Placement for CLR®. The CLR® is exclusively for table-mounted ultra-short throw projectors as illustrated in example 1 below. Overhead placement or a standard projector will make the image very dark, on account of the screen's absorbent layer deflecting light that is not aligned with its reflective angle.

Example 1: Proper Projector Installation



ULTRA SHORT THROW PROJECTOR ILLUSTRATION

Example 2: Improper Projector Installation

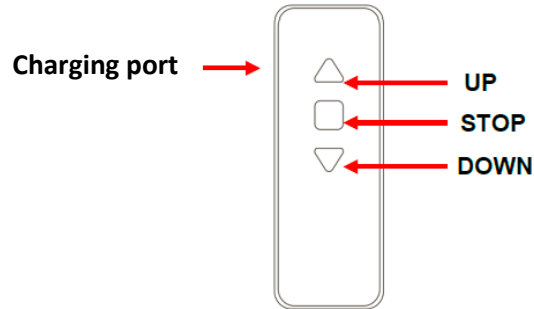


PROJECTOR CEILING INSTALLATION (NOT COMPATIBLE)

Images are not up to scale and are for illustrations purposes only.

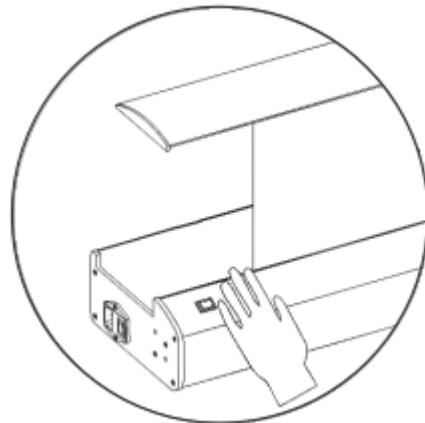
CHARGING THE RF/IR REMOTE CONTROL

Charge the RF or IR remote by plugging the Micro USB Charging cable (Item E) into any USB power source and into the left side of your RF or IR Remote Control. While charging, you will see a solid red light above the touch sensitive buttons. For your convenience, you may use the remote while it charges. Note: The red light may dim while charging.



ANTI-PINCH SAFETY FEATURE

Prevent injury or damage to the screen when an object interferes with the screen's descent during its operation. The screen is equipped with an anti-pinch safety feature which prevents the closing panel/lid to stop when it detects an object



For local Elite Screens contact or Technical support, please visit
www.elitescreens.com