



Sable Frame B2 Series

Matte White Fixed Frame Screen

Featuring CineWhite®UHD-B

USER'S GUIDE – M Type

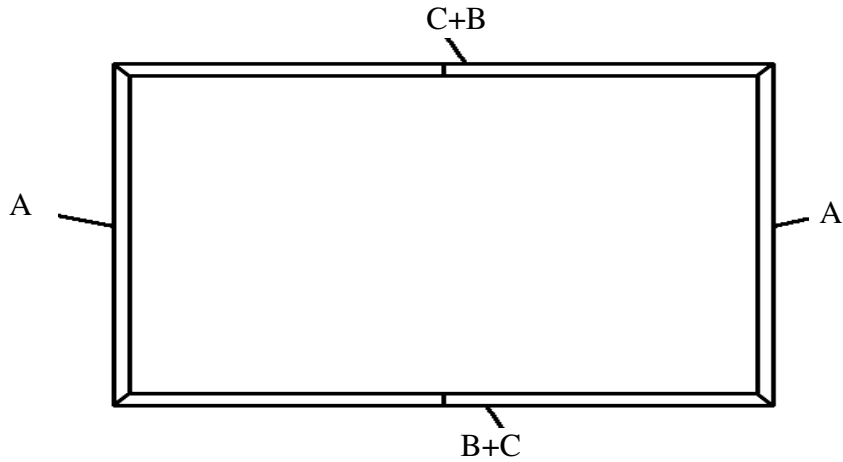
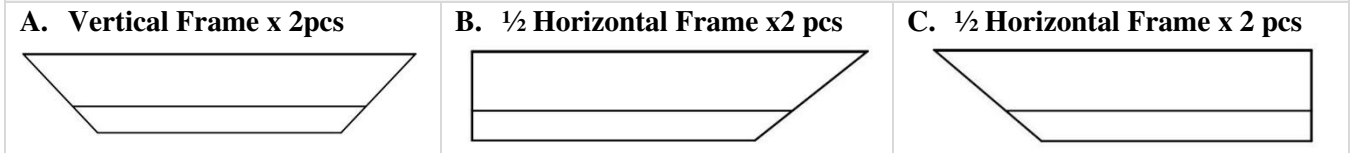
V 2.1

Congratulations on your new **Sable Frame B2** purchase! The material included is our ISF Certified **CineWhite® UHD-B** which produces accurate colors in a light controlled environment as the director intended.

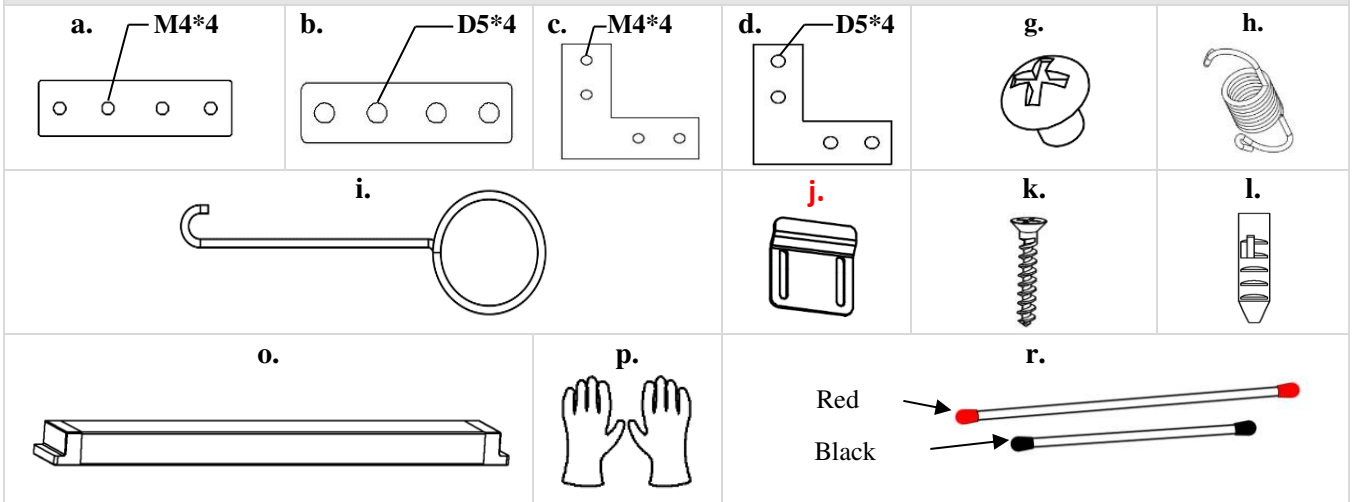
In order for the **CineWhite® UHD-B** to maintain its projection qualities and optimum performance please refer to the list below for proper maintenance and cleaning.

- Use a dry microfiber cloth to remove dust from the screen's surface.
- When cleaning, use a damp microfiber cloth with warm water to remove any marks.
- Never rub or apply pressure when cleaning the surface.
- Never attempt to use any solutions, chemicals, or abrasive cleaners on the screen surface.
- To avoid damaging the screen, avoid touching it directly with your fingers, pens/pencils or any other sharp or abrasive objects.

Frame Parts List



Hardware Parts List

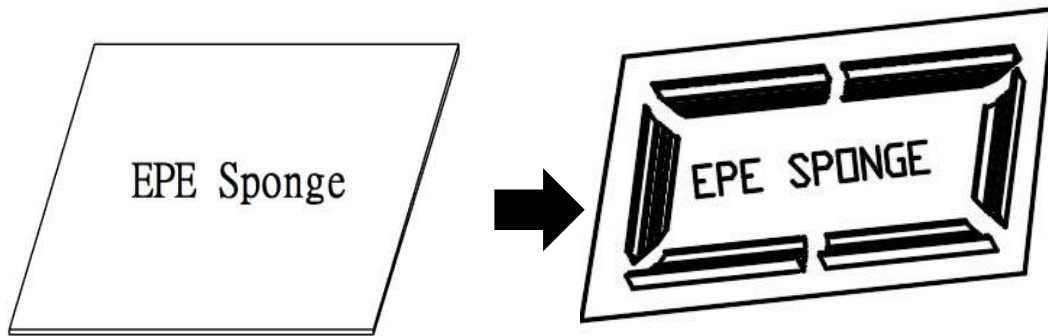


Item	Parts List	92"	100"	110"	120"	135"	150"	165"	180"	200"
a.	Center Joints- M4 (bottom position)	2	2	2	2	2	2	2	2	2
b.	Center Joints-D5 (top position)	2	2	2	2	2	2	2	2	2
c.	Elbow Joints M4 (bottom position)	4	4	4	4	4	4	4	4	4
d.	Elbow Joints D5 (top position)	4	4	4	4	4	4	4	4	4
g.	M4x7 Screws	24	24	24	24	24	24	24	24	24
h.	Spring	56	60	66	72	80	88	100	106	116
i.	Pull Hook	2	2	2	2	2	2	2	2	2
j.	Wall brackets	4	4	4	4	4	4	6	6	6
k.	Wall Screws M5x50	8	8	8	8	8	8	12	12	12
l.	Hollow Wall anchors	8	8	8	8	8	8	12	12	12
o.	Center Support Bar	1	1	1	1	1	1	2	2	2
p.	White gloves	2	2	2	2	2	2	2	2	2
r.	Φ3 mm Long Iron (sides) rod / Short rod (top/bottom)	2/4	2/4	2/4	2/4	2/4	2/4	2/4	2/4	2/4

Frame Assembly

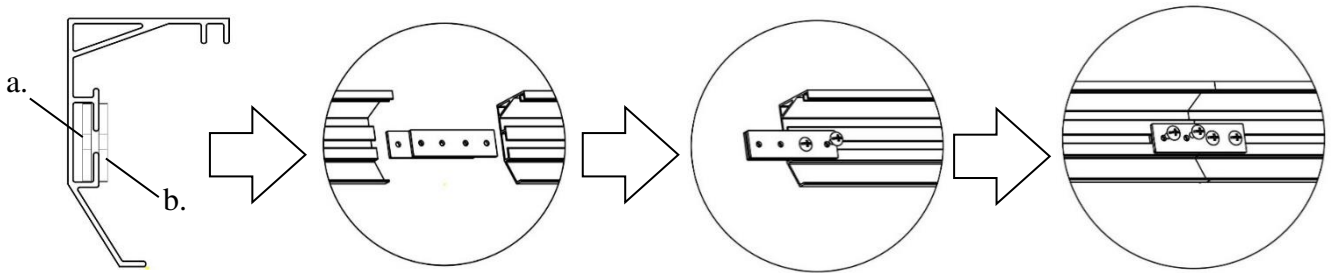
Step 1: Place the EPE sponge (foam) sheet on the ground of the area where the screen will be assembled.

Step 2: Position the pieces of the frame on the EPE sponge in the arrangement shown below.



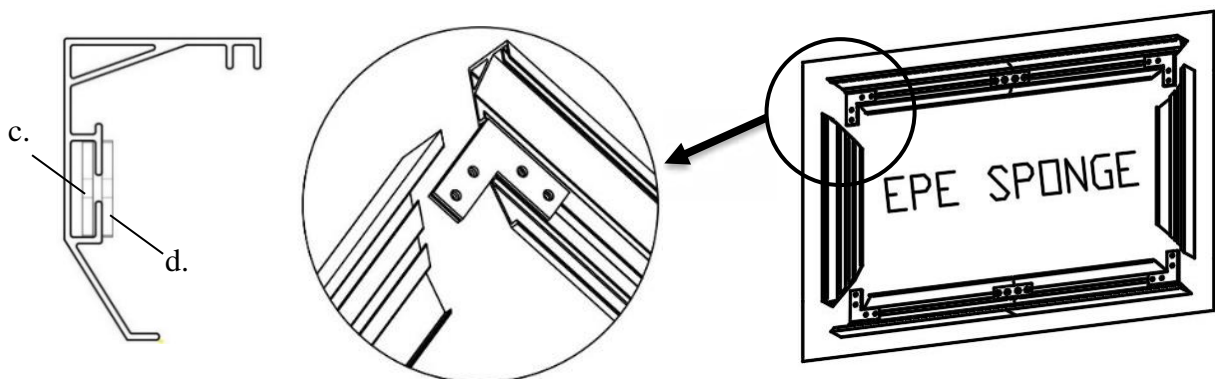
Step 3: Insert *center joint* (a/b) connectors into *one-half of the horizontal frame* (B/C) and secure with the *M4x7 screws* (g) as shown in the illustration below.

Tip: *The center joint (b) with the larger diameter holes should be on top.*

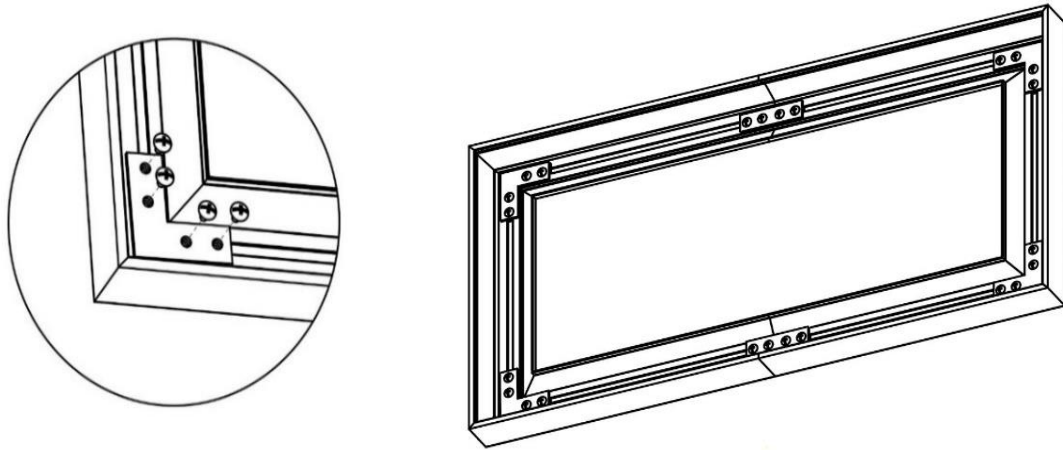


Step 4: Connect the *elbow joints* (c/d) to the top and bottom sections of the vertical frame. Once inserted, connect the vertical sections to the horizontal frame sections. Make sure all holes are in alignment and the frame pieces are flush (no gaps). They should form perfect right angles.

Tip: *The elbow joint (d) with the larger diameter holes should be on top.*



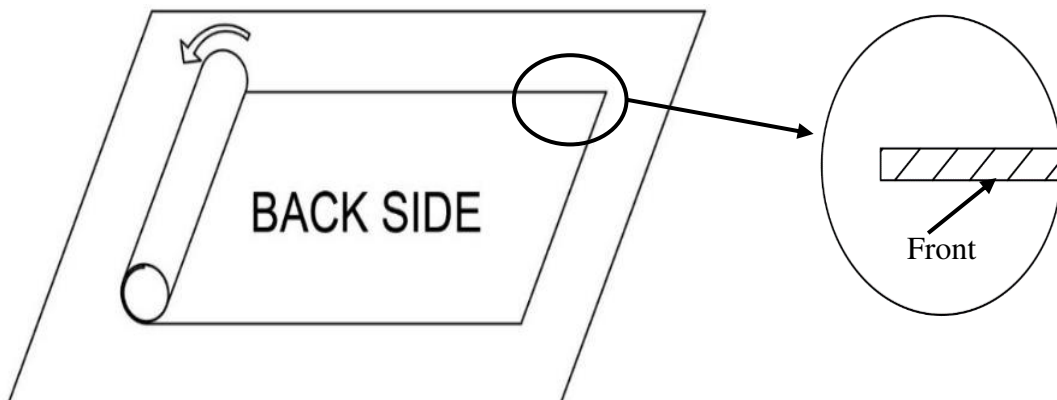
Step 5. Secure the elbow joints by fastening them with *M4x7 screws (g)*, 4 at each corner.



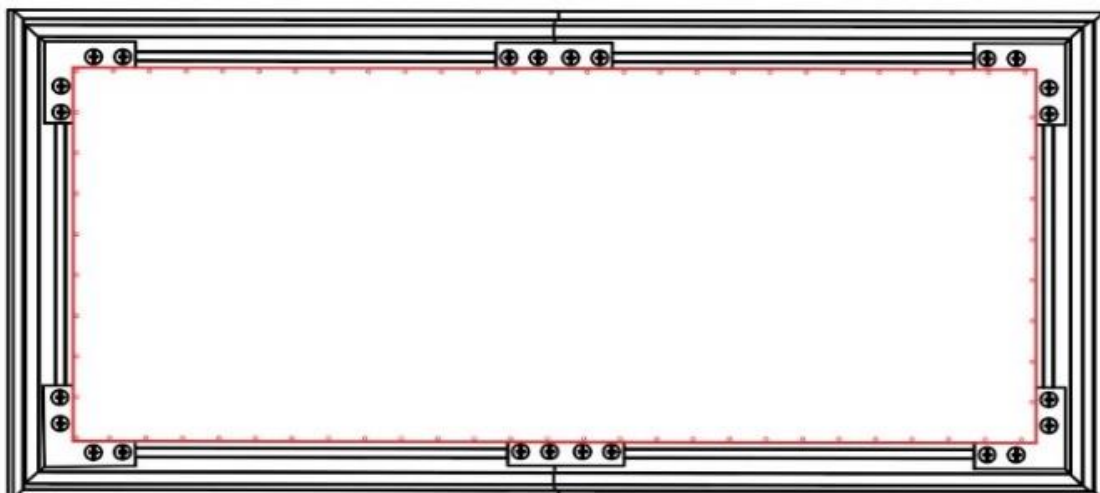
Screen Material

Step 6: Put on the *white gloves (p)* and carefully unroll the screen material on a clean surface from the roller to the other side as shown below. The back side of the screen material should be placed upwards. Then place a *bottom grommet (r)* on the screen material's eyelet and snap in the *top grommet (s)* as shown below.

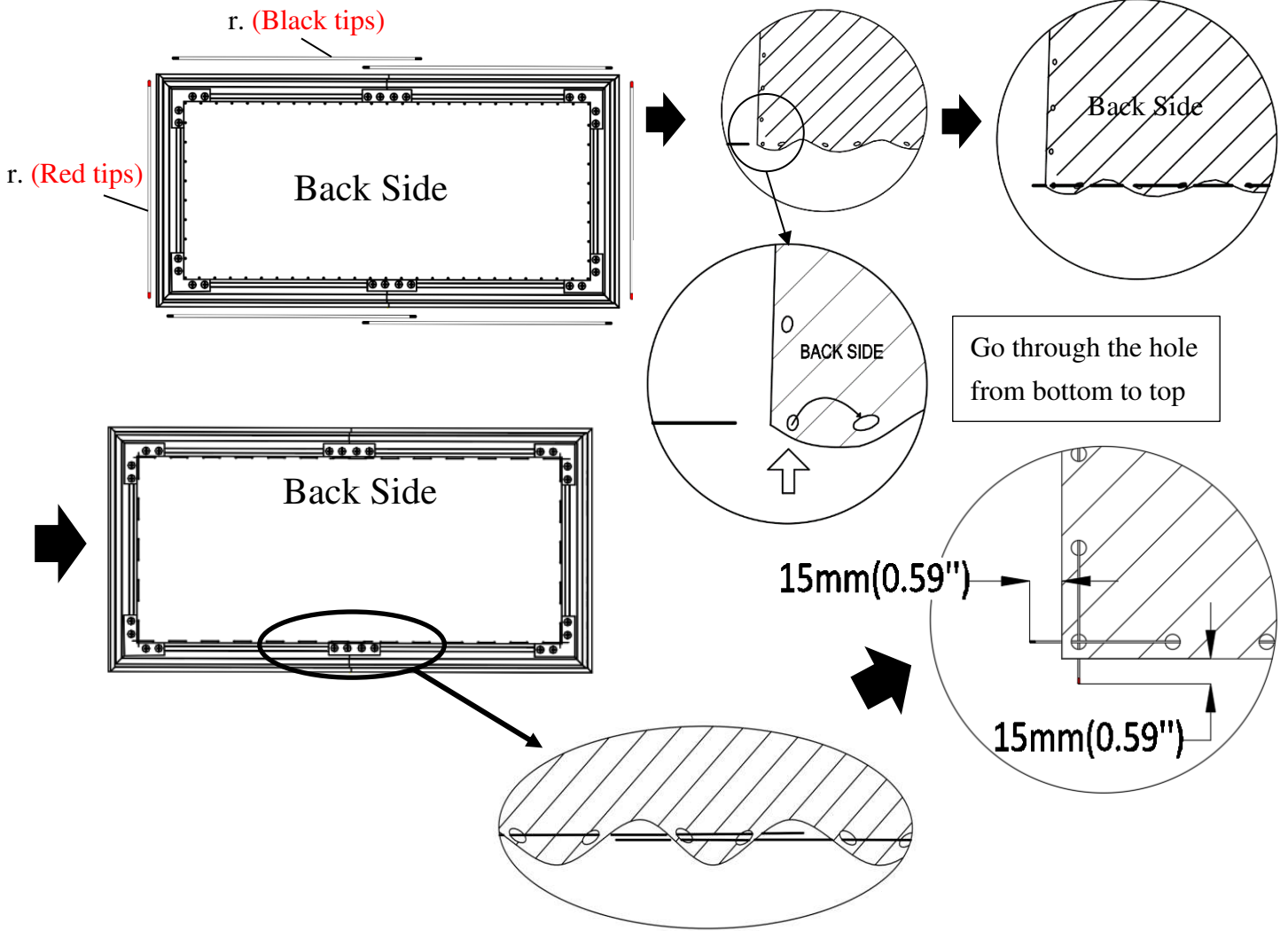
Repeat the process for all eyelets.



Step7: Carefully place the screen on top of the assembled frame as shown below. Make sure that the angular edges of the frame are not allowed to come into direct contact with the screen material to avoid puncturing.

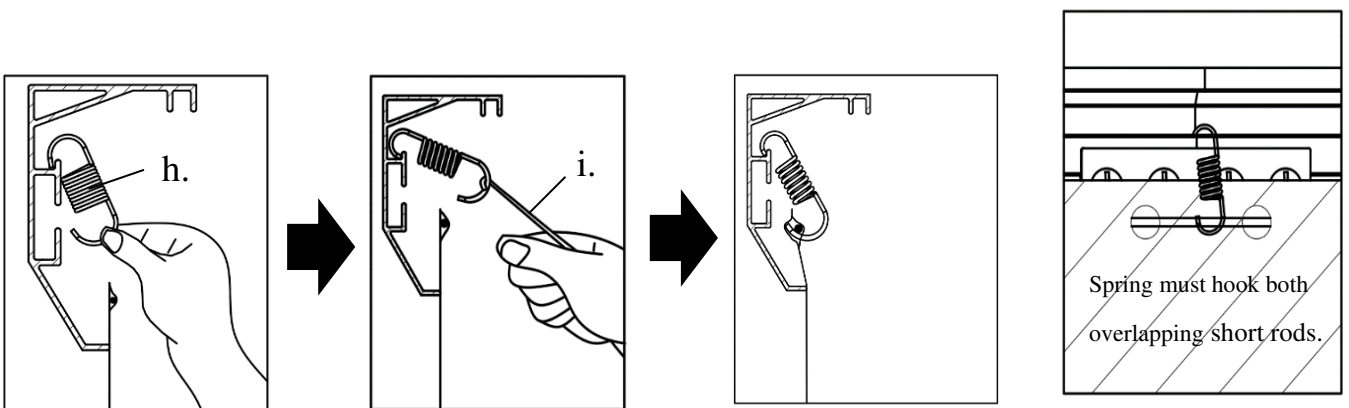


Step 8: Insert the *rods (r)* through the sleeves according to their corresponding lengths on each edge of the screen as shown below. The short rods (top/bottom) will overlap to secure a firm grasp in the middle areas.

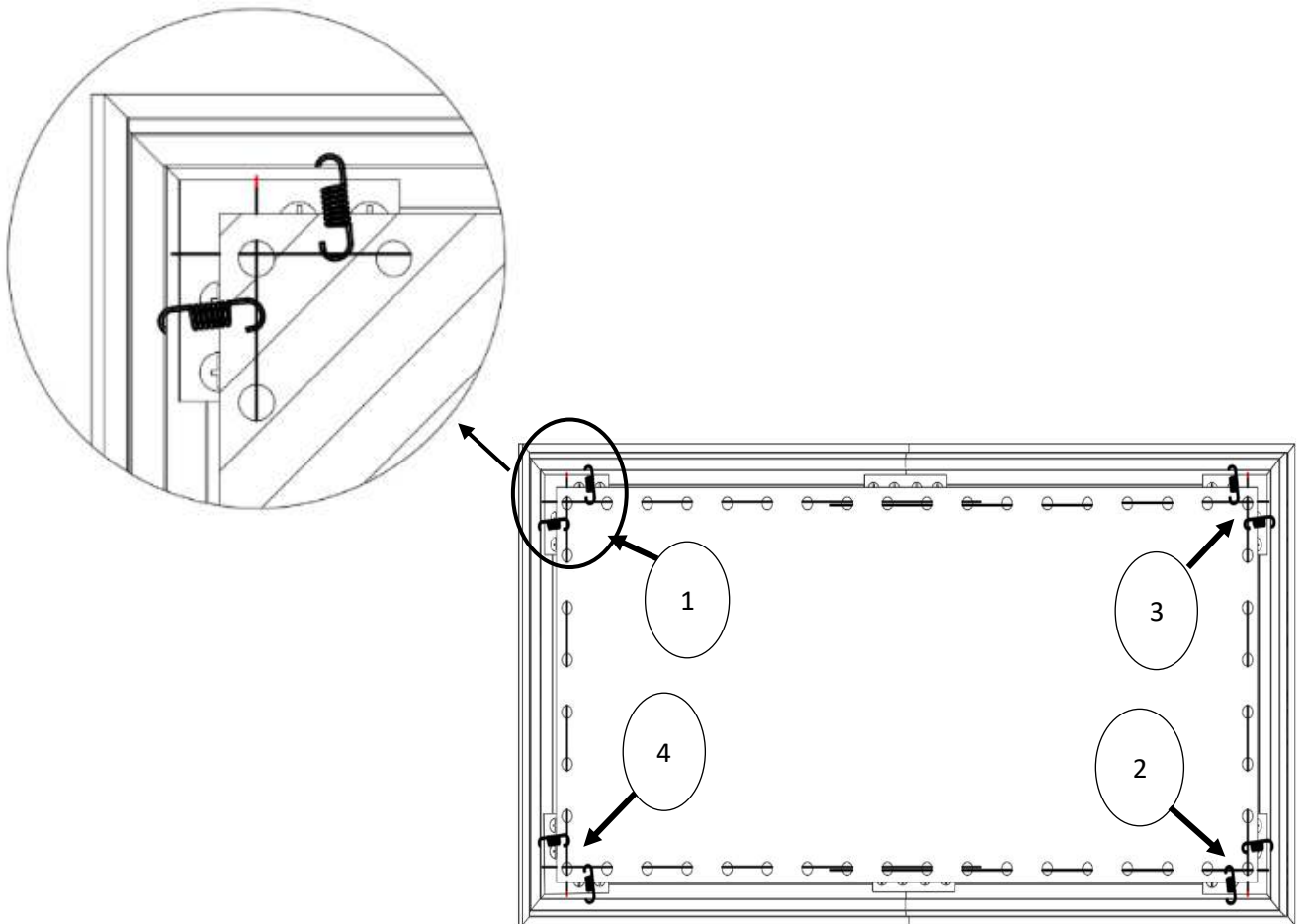


How to attach the springs

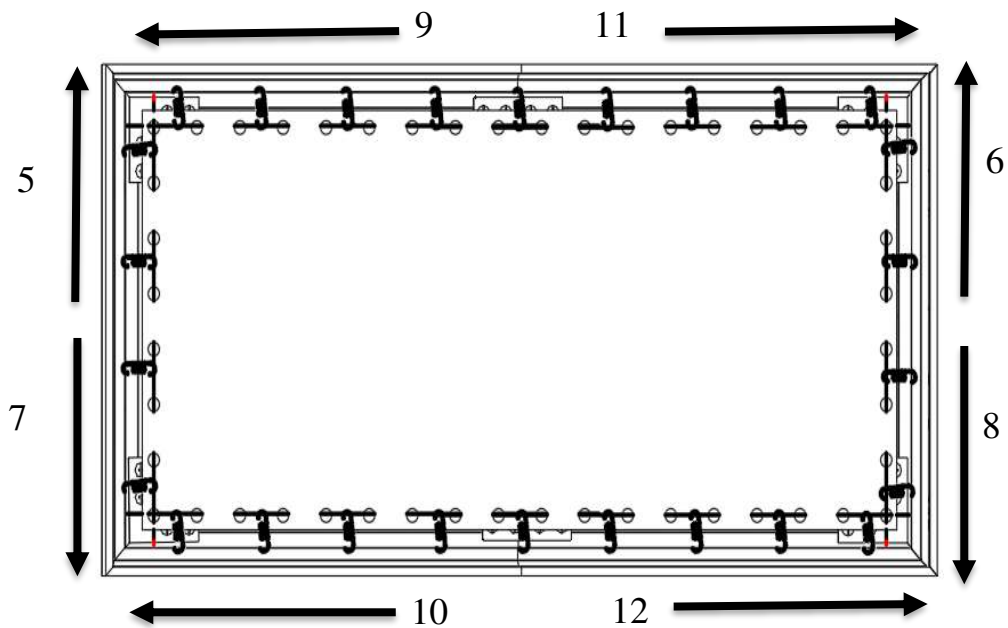
Step 9: Hook one end of the spring and secure inside the groove of the frame, use the *spring hook (i)* to attach the spring to the hole located on the screen material's outer edge in the following order.



First connect on four corners, steps 1-4. make sure all four corners are fixed before proceeding with next spring.



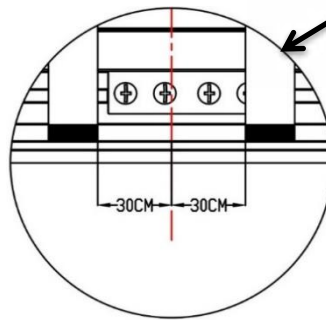
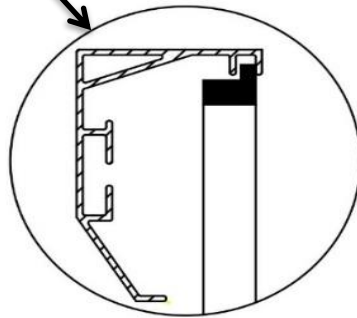
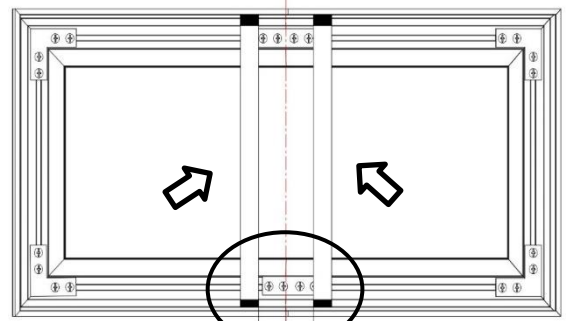
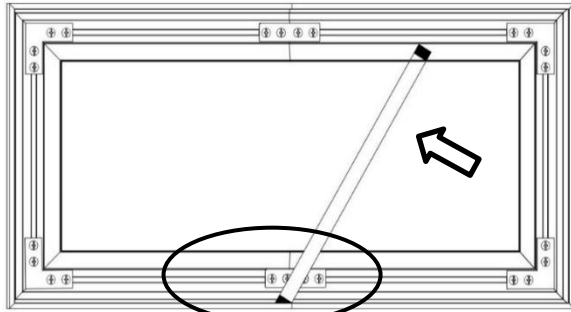
Continue to attach the remaining springs to the material in steps 5-12 in the following order.



Step 10: Insert the Center Support Bar (o) into the upper top groove on the back of the frame with the bottom end near the approximate center point of the frame and rotate it in at an angle so that both ends of the bar are in alignment with the groove.

Diagonal Models 150" and below use 1 x Center Support

Diagonal Models above 150" require 2 x Center Support Bars

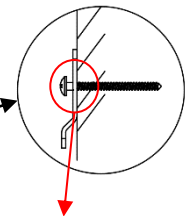
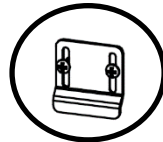
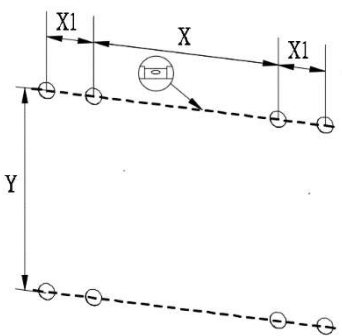


Place a center support bar 30 cm (11.8") apart from the center (red line).

Installation

Step 11: Measure the overall length and height of the frame and drill holes for the top brackets. Line up the wall brackets with the drilled holes on the installation location and screw them in using a Phillips screwdriver. If not installing into a structural wood stud, use a hollow wall anchor then screw in the M5x50 wood screws with a screwdriver. Make sure the brackets are leveled.

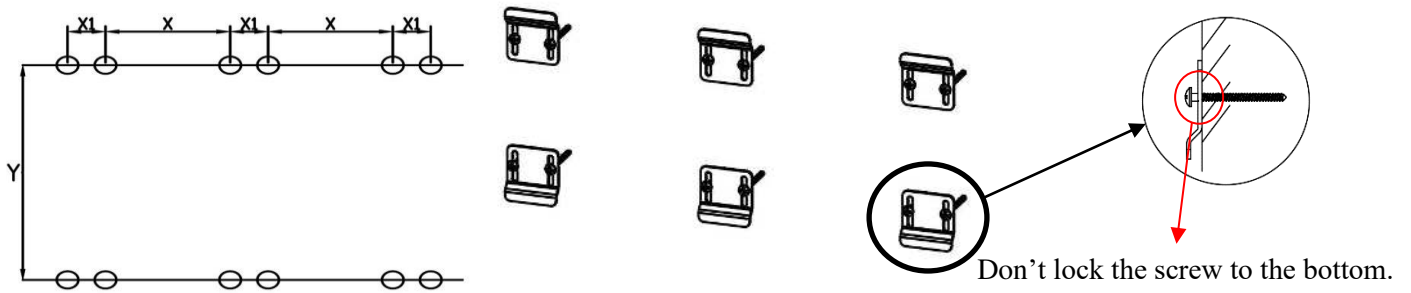
Diagonal Sizes of 150" and below use 4 x wall brackets



Don't lock the screw to the bottom.

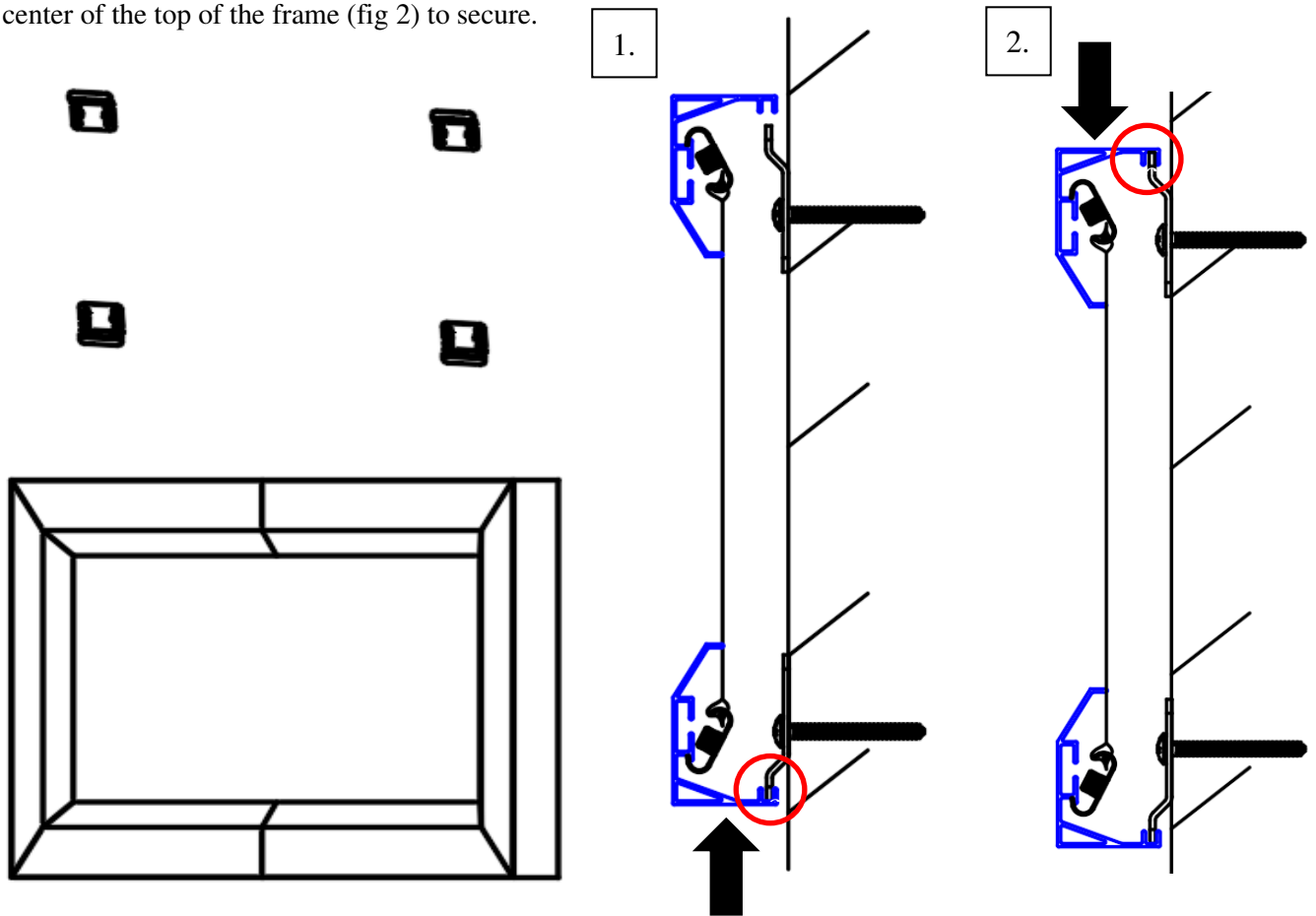
Model/Size	X = Wall bracket distance	X1 = Bracket hole distance	Y = Top/Bottom Wall Bracket Height
92"	1100mm (43.30")	30mm (1.18")	1180mm (46.46")
100"	1170mm (46.06")	30mm (1.18")	1280mm (50.39")
110"	1280mm (50.39")	30mm (1.18")	1410mm (55.51")
120"	1390mm (54.72")	30mm (1.18")	1530mm (60.24")
135"	1550mm (61.02")	30mm (1.18")	1720mm (67.72")
150"	1720mm (67.72")	30mm (1.18")	1900mm (74.80")

Diagonal Models above 150" require 6 x wall brackets



Model/Size	X = Wall bracket distance	X1 = Bracket hole distance	Y = Top/Bottom Wall Bracket Height
165"	940mm(37.01")	30mm (1.18")	2090mm(82.28")
180"	1030mm (40.55")	30mm (1.18")	2280mm (89.76")
200"	1140mm (44.88")	30mm (1.18")	2530mm (99.61")

Step 12: Position the fixed frame screen onto the top wall brackets (fig 1) as shown below and push down at the center of the top of the frame (fig 2) to secure.



For Technical Support or an Elite Screens contact in your area,

visit www.elitescreens.com