



# Star Frame Series

## Fixed Frame Screen

### USER'S GUIDE

Thank you for choosing an Elite Screens fixed frame projection screen! *Congratulations on your new Star Frame purchase!* Please read through this user guide before utilizing the screen. Correct usage and maintenance will ensure a long product life.




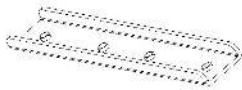

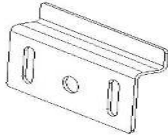
#### Care & Use Instructions



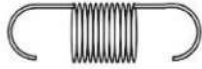
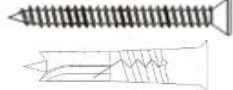
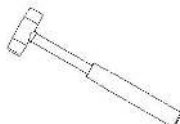


**Dust, dirt and scratches on the projection surface will affect the picture quality, please take note of the points below to prevent that from occurring:**

1. Do not touch the projection surface with your hands
2. Do not write or draw on the projection surface
3. Do not use fingers or sharp objects to point on the projection surface; this will damage the screen material.
4. Use a soft-damp cloth to clean the projection surface; do not use chemical cleaning agents or alcohol.
5. Use clean water when dampening the cleaning cloth and do not rub against the material to clean it.

#### Hardware and Parts List

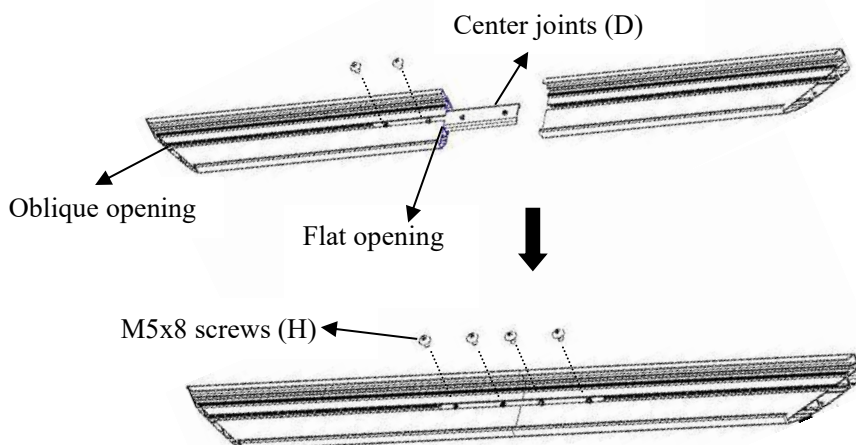
Please make sure all parts listed below are included before installation.

A. Elbow joint x 4 pcs	B. Top/Bottom horizontal frame x 4 pcs	C. Left/Right vertical frame x 2 pcs
		
D. Center joints x 2 pcs	E. Center Support bar x 1 pcs	F. Wall brackets x 4 pcs
		

G. Tension Rods x 6 pcs	H. M5x8 screw x 24 pcs	I. Springs x 40-120 pcs (depending on model/size)
		
J. M5x35 screws and anchor x 8 pcs	K. Rubber hammer x 1 pcs	L. Screwdriver x 1 pcs
		
M. Springs hook x 1 pcs		
		

## Frame Assembly

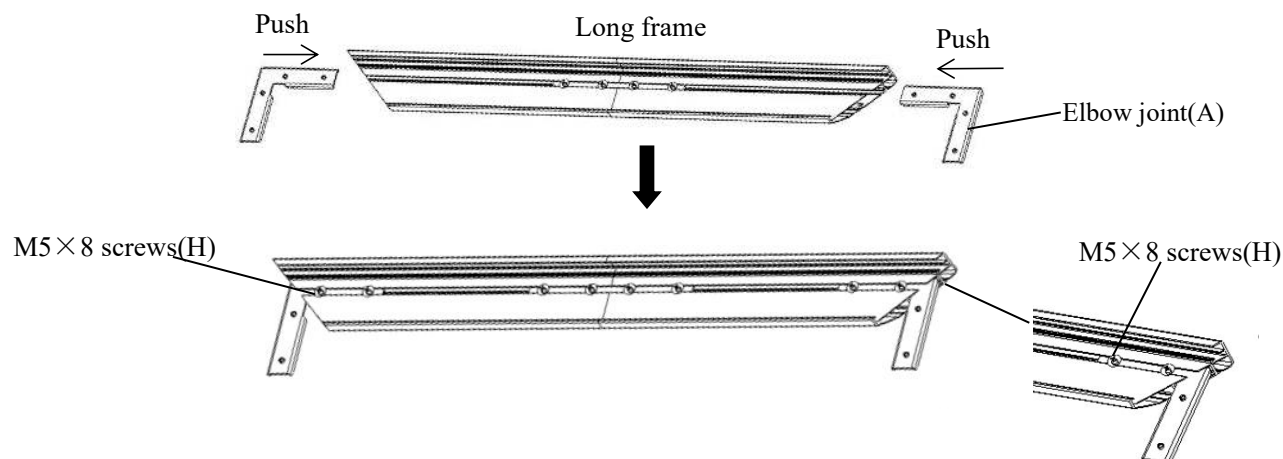
1. Insert the **center joint (D)** connector into to one of the 1/2 horizontal frames and fasten it with two **M5x8 screws (H)**. Repeat steps for assembling the second horizontal frame.



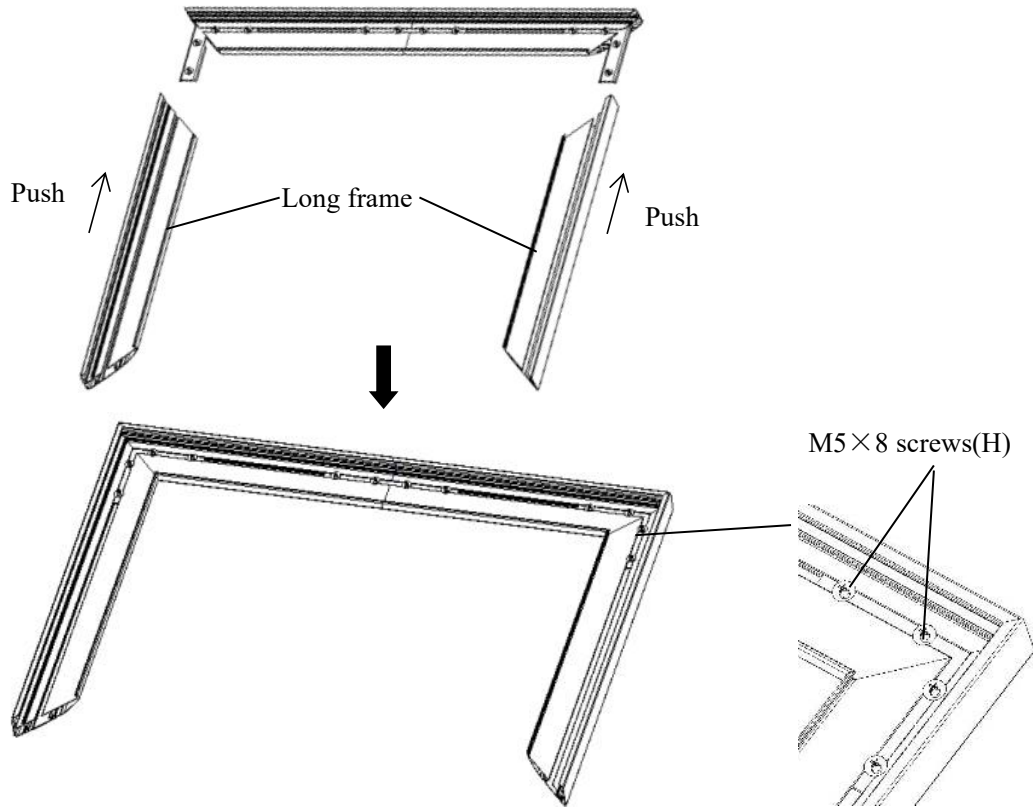
**Note: a. Two 1/2 horizontal long frames should be assembled for a screen.**

**b. Do not tighten the screws completely until all frame pieces have been assembled correctly.**

2. Insert both **elbow joint(A)** connectors into the long horizontal frame and fasten it with four **M5x8 screws(H)**.

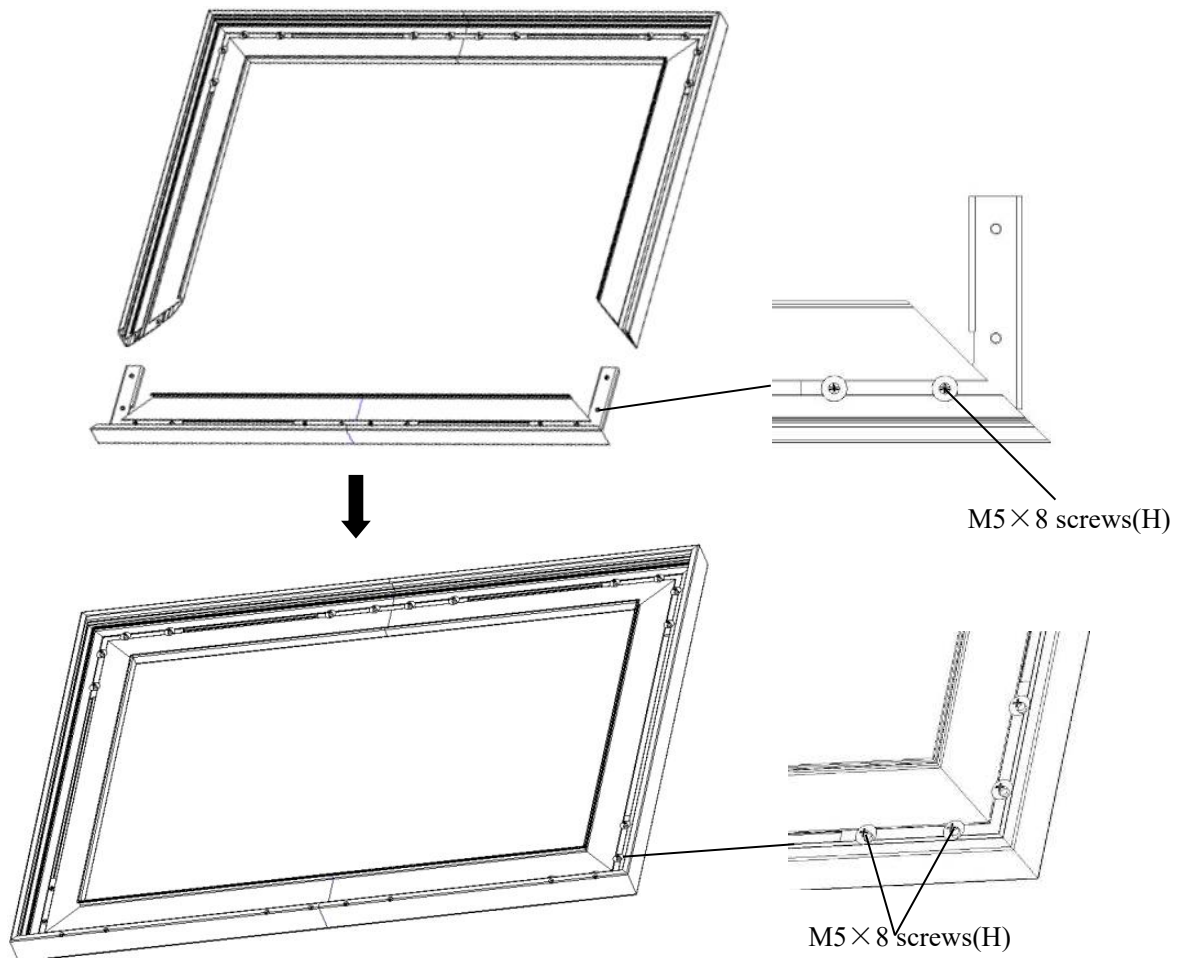


3. Then insert the short frames and fasten them with **M5x8 screws(H)**.



4. Join all four frame parts together following the steps shown below.

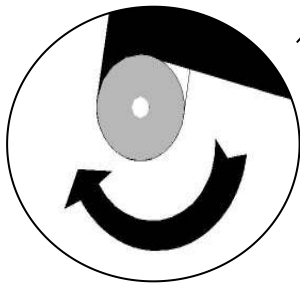
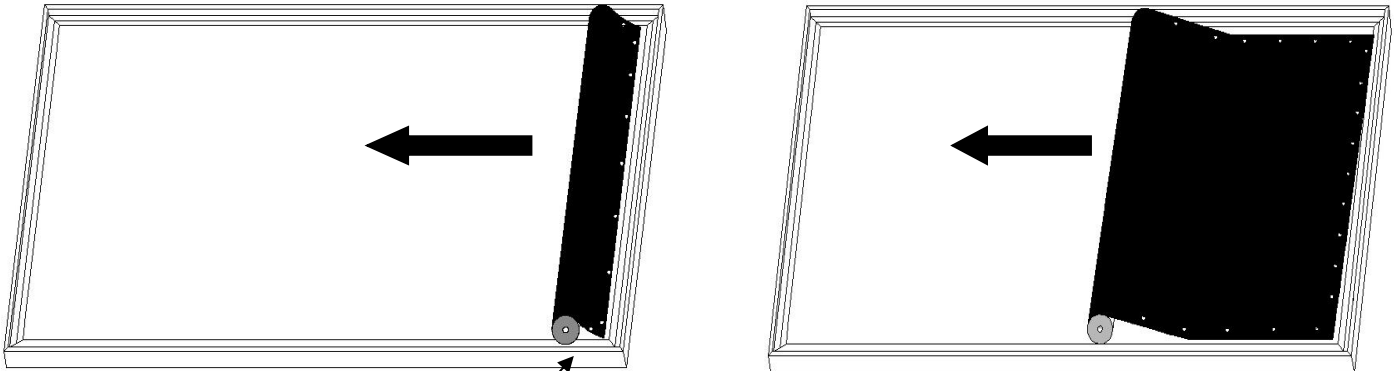
**Note: When assembled, please push simultaneously the two ends of the long frames**



# Attaching the Screen Material to the Frame

5. Lay the assembled frame face down on a clean flat surface.

6. Carefully unroll the screen material from the roller from one side of the frame to other side.

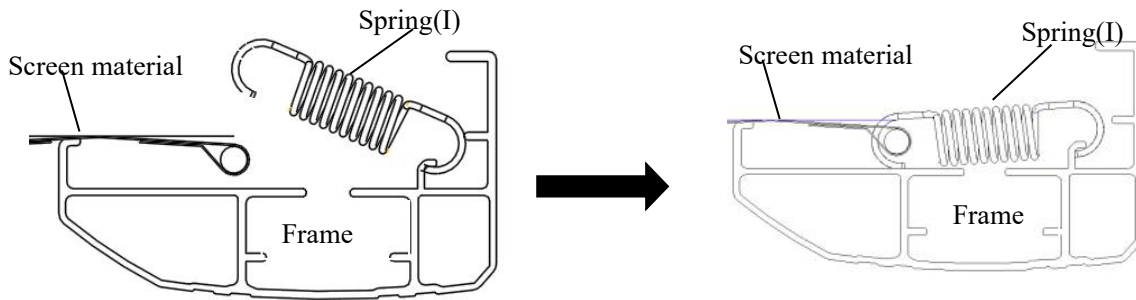


### Notes:

- Make note of the label to help distinguish the back and front side.
- Unroll the screen material face down
- Keep the screen material as close as possible to the frame and do not allow it to scratch against any part of the frame.

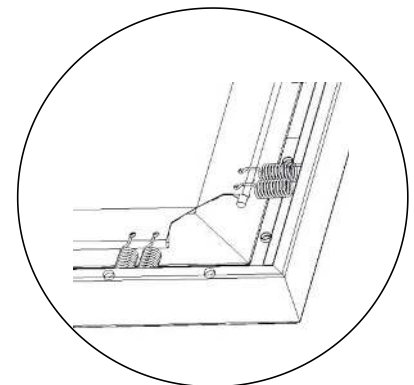
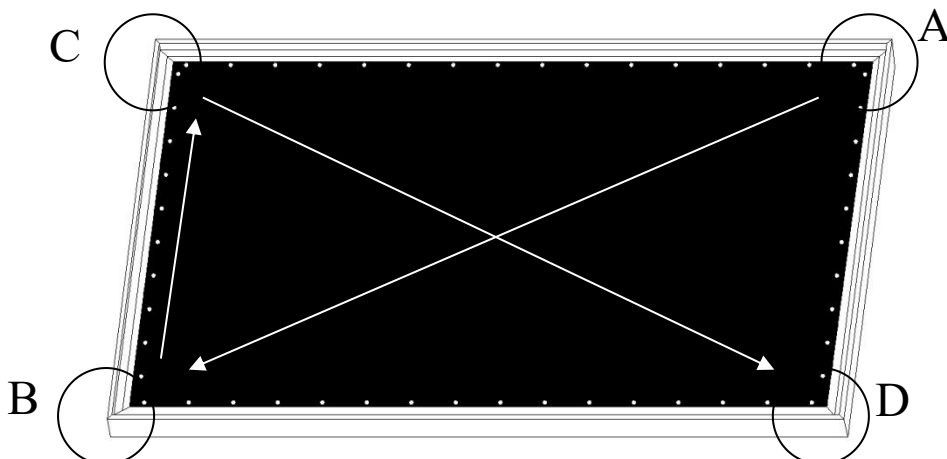
## Spring hook

Take one end of the spring and secure it to the inside groove of the frame and hook the other end of the spring to the hole located on the screen material's outer edge. (See diagram below for details)



7. Attach the four corners of the screen material with the springs in the following order A → B → C → D.

See below picture.

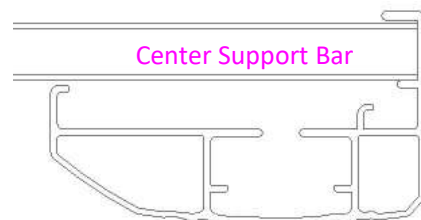
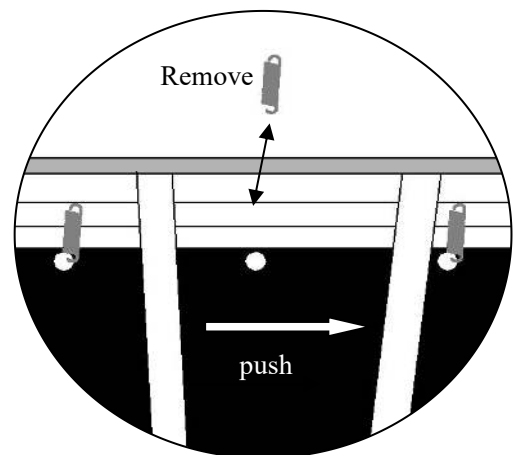
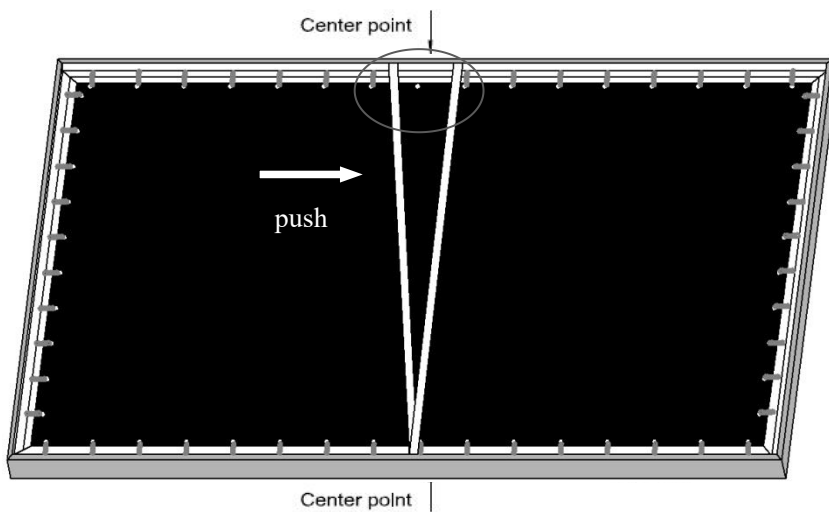


8. Continue attaching the remainder of the springs into all of the holes on the screen material to complete assembling your Star Frame screen.



## Center Support Bar

1. Insert the **Center Support Bar** into the upper top groove on the back of the frame (**not the one where the Spring inserts**) with the bottom end near the approximate center point of the frame and rotate it in at an angle so that both ends of the bar are in alignment with the groove.



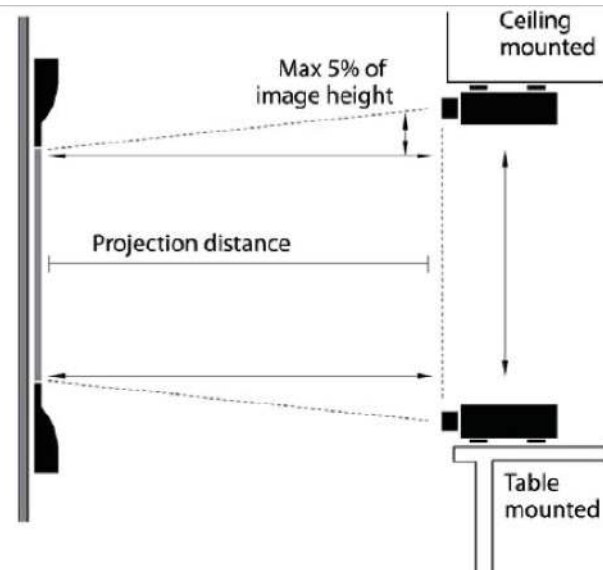
Frame

2. Slide the top end of the bar into the top center point of the frame to complete the center support bar installation. **This will provide added stability to your frame and added tension to the material.**

## **Notice to Installer:**

Please use the following installation instructions to obtain superior optical performance from the Retro Reflective ALR (Ambient Light Rejecting)Star Frame Screen.

### Projector placement



Images are not up to scale and are for illustrations purposes only.

*Note: Do not install the projector at an angle that is greater than 5° off the vertical axis from the screen. The ambient light filtration layer in the material is designed to scatter off-axis light rather than reflect it.*

## **Installation Instructions**

1. Locate your desired installation location with a stud finder (recommended) and mark the drill-hole area of where the screen is to be installed.
2. Drill a hole with the proper bit size according to the wood screws included.
3. Line up the wall brackets with the drilled holes on the installation location and screw them in using a Phillips screwdriver.

**Note: Use 2 top wall brackets on diagonal sizes below 135", and use 3 top wall brackets on diagonal sizes 135" and above.**

4. Position the fixed frame screen onto the top wall brackets as shown in (Fig. 3) and push down at the center of the bottom frame to secure the installation.
5. The design of the wall brackets allows the frame to slide over them through its sides. This is an important feature of the installation design as it allows your screen to be properly centered.
6. Using both hands finish the installation by pushing the lower portion of the fixed frame screen into the lower bracket as shown in (Fig. 4).

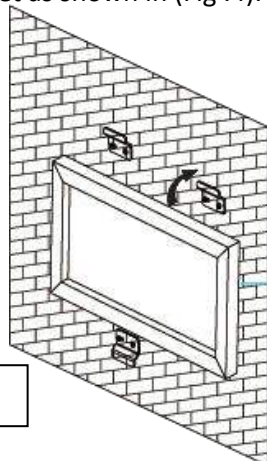


Fig. 3

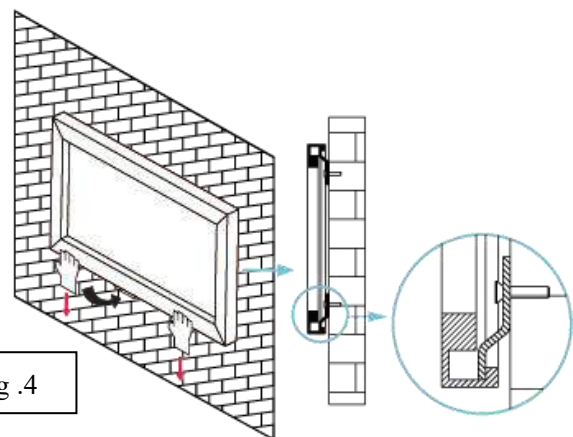


Fig. 4

## CAUTION

**Please follow these instructions carefully to ensure proper maintenance and safety of your Fixed Frame Screen**

1. When hanging the screen up, please make sure that no other objects such as power switches, outlets, furniture, ladders, windows, etc. occupy the space designated for your Fixed-Frame screen.
2. Regardless if the screen is hung on or installed into the wall, make sure that the proper mounting anchors are used and that the weight is supported appropriately by a strong and structurally sound surface just as any large and heavy picture frame should.
3. *(Please consult a home improvement specialist for the best advice on installation)*
4. Frame parts are made of high quality velour-surfaced aluminum and should be handled with care.
5. When not in use, cover over the screen with a furniture sheet to protect it from dirt, grime, paint or any other impurities.
6. Spare Parts should be placed out of reach of small children in accordance with household safety guidelines.

**Need Assistance? Please Contact our**

**Elite Screens Support Team at**

**[www.elitescreens.com](http://www.elitescreens.com)**