



# **Yard Master Manual series**

## *Outdoor Movie Manual Projector Screen*

### **User's Guide – V1.1**

Visit [www.elitescreens.com](http://www.elitescreens.com) for latest updated version.

---

*Thank you for choosing the **Yard Master Manual** projection screen! Please read through this user guide before utilizing the screen. Correct usage and maintenance will ensure a long product life.*

***Compatible with standard (long) throw projectors only!***

#### **Product Description:**

The Yard Master Manual is a non-electric outdoor projector screen for wall and patio installations that brings media room quality to your outdoor spaces. Its sleek aluminum casing beautifully accessorizes your backyard, patio, pool deck or anywhere a gathering for evening movie time is appropriate.

#### **Outdoor Projection Screen Disclaimer**

Never leave your projection screen out and exposed to direct sunlight. Regardless of screen brand, prolonged exposure to the sun's ultraviolet radiation degrades the chemical bonds causing the material to eventually decompose. Photodegradation first causes the material to lose its theater-grade reflective qualities. Eventually nature will completely destroy even synthetic materials. For this reason, the Yard Master Manual has a retractable design that allows the material to be drawn up into its protective casing to be shielded from solar radiation.

#### **Care & Use Instructions**

◆ Dust, dirt and scratches on the projection surface will affect the picture quality, please take note of the points below to prevent that from occurring:

1. Do not touch the projection surface with your hands
2. Do not write or draw on the projection surface
3. Do not use fingers or sharp objects to point on the projection surface; this will damage the screen material.
4. Use a soft-damp cloth to clean the projection surface; do not use chemical cleaning agents or alcohol.
5. Use clean water when dampening the cleaning cloth and do not rub against the material to clean it.

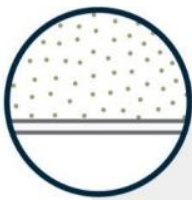
◆ To avoid damage and injury, the screen should only be operated by adults.

Understanding the Ingress Protection Rating IP65

# IP Rating Chart

**1st Digit - SOLID**

Degree of protection against solid objects



Dust tight.  
No ingress of dust.

**6**

**2nd Digit - LIQUID**

Degree of protection against water



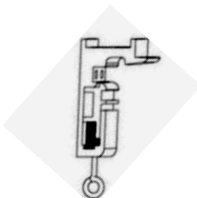
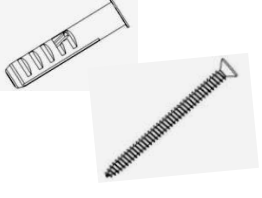
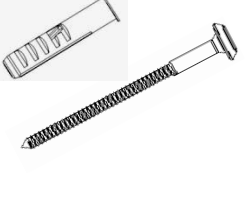
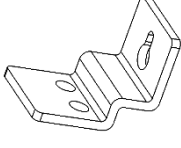


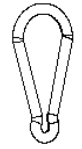

Protected against  
water jets from any  
angle.

**5**

**Note:** Wall screws included with this product are complimentary and may not be adequate for all mounting surfaces. Consult with a professional installer or hardware store for proper mounting screws and anchors.

Regardless of the mounting method, the screen should be securely supported so that the vibration or pulling on the viewing surface will not cause the screen case to become loose or fall. The installer must ensure that the proper mounting hardware and the fasteners used are of adequate strength and suitable for the mounting surface.

**Hardware Parts List for Yard Master Manual Series**

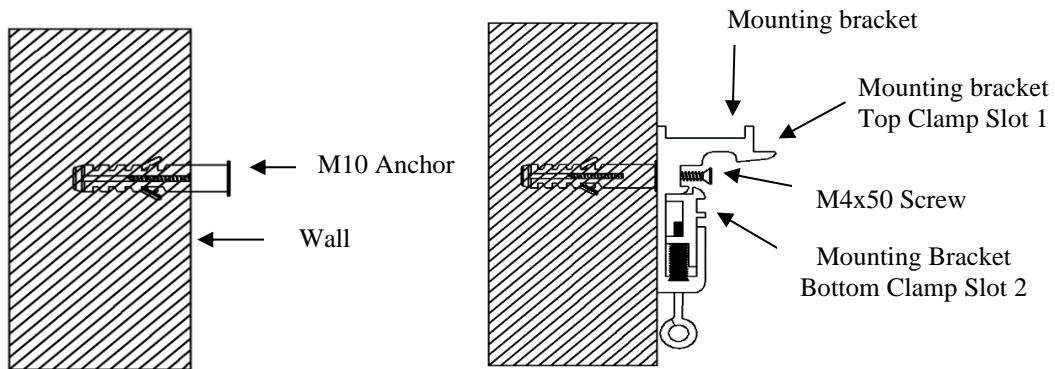
A. Mounting Bracket x2pcs	B. M10 Anchor and M4x50 Screwx4pcs	C. M10 Anchor and M5x50 Screwx1pcs	D. Suspended Ceiling Bracket Connectorx2pcs
			
E. M5x15 Screw & Bolt x4pcs	F. Curved Nail x2pcs	G. Hook x2pcs	H. Elastic Stringx2pcs
			

## Installation Instructions

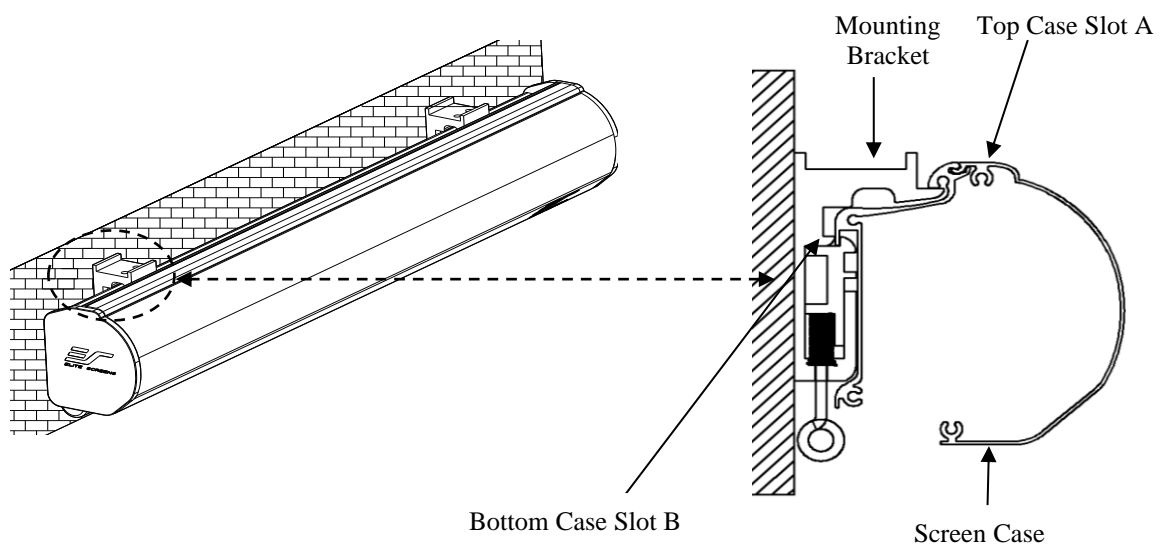
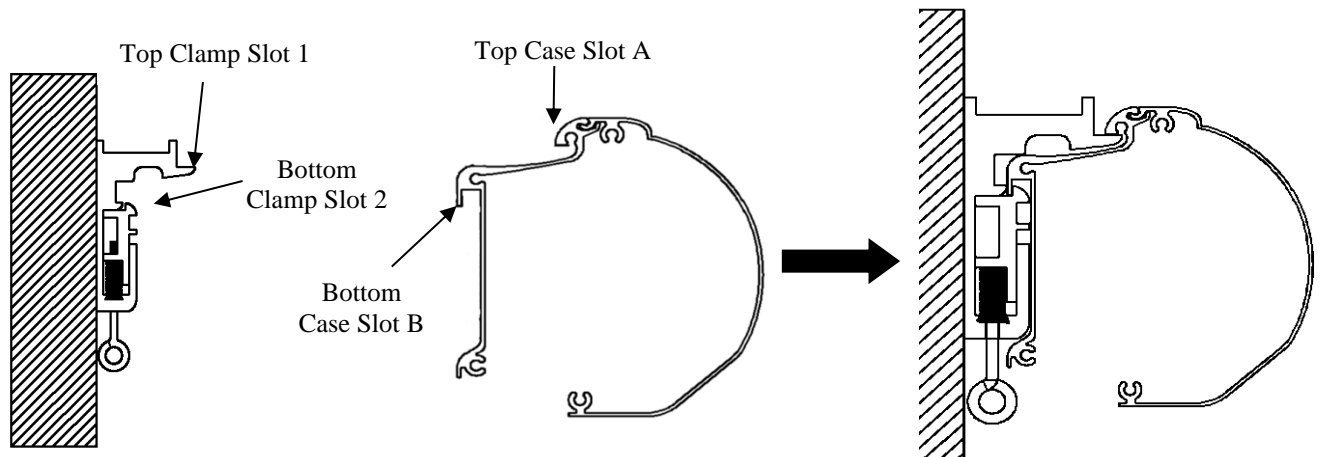
Please consult a professional installer, Elite Screens is not liable for faulty installations.

### Flush Mount to the Wall

1. Mark the location of where the screen is to be installed, drill your holes, and insert the **M10 Anchors (B)**.
2. Install the **Mounting Brackets (A)** to the wall and secure with the **M4x50 Screws (B)**.

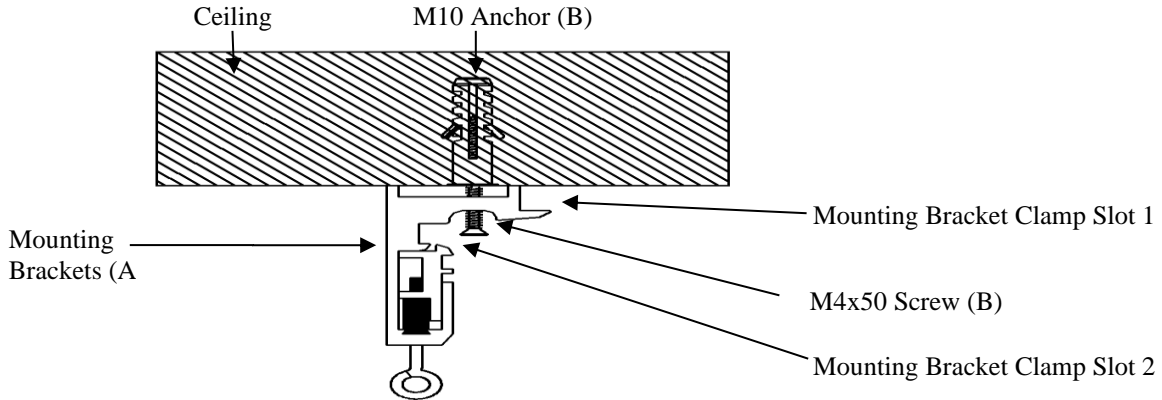


3. Insert and attach the **Top Case Slot A** to the **Top Clamp Slot 1**, then secure it by pushing and clicking it in the **Bottom Case Slot B** to the **Bottom Clamp Slot 2**. Make sure the case slots are securely attached to the mounting brackets.

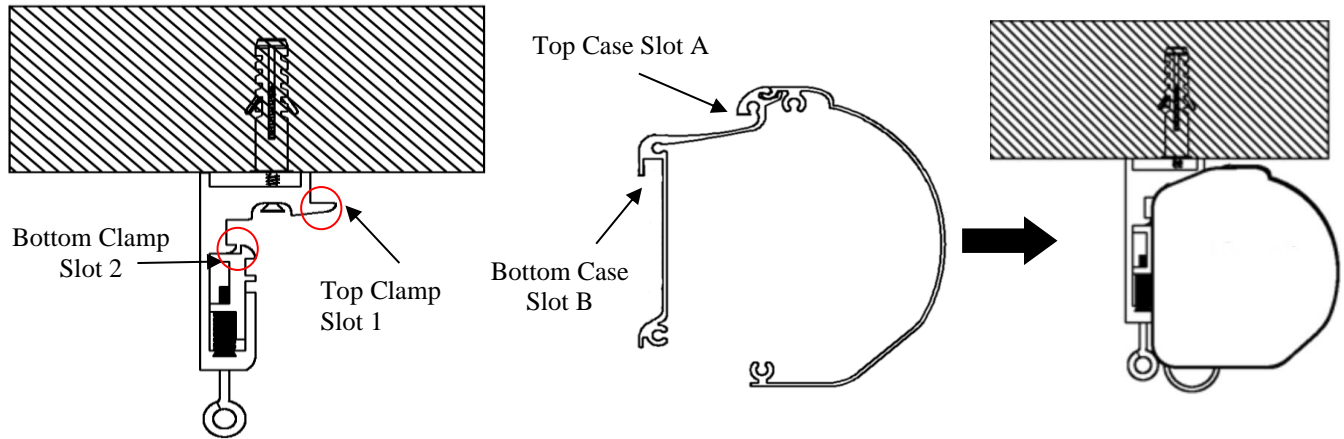


## Flush Mount to the Ceiling

1. Mark the location of where the screen is to be installed, drill your holes and insert the **M10 Anchors (B)**.
2. Install the **Mounting Brackets (A)** to the ceiling and secure them with the **M4x50 Screws (B)**.



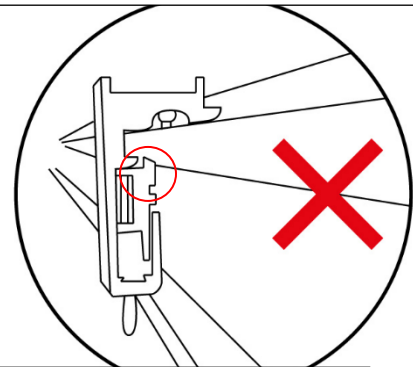
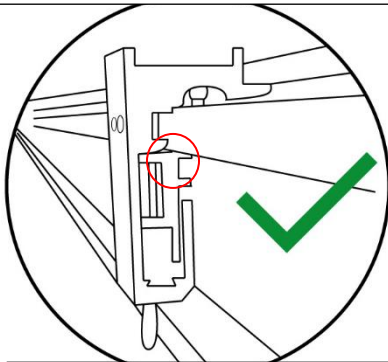
3. Insert the and attach the **Top Case Slot A** to the **Top Clamp Slot 1**, then secure it by pushing and clicking it in the **Bottom Case Slot B** to **Bottom Clamp Slot 2**. Make sure the case slots are securely attached to the mounting brackets.



## IMPORTANT: PROPERLY ATTACH THE BRACKET TO THE SCREEN CASE

**CORRECT:** BOTH TOP/BOTTOM MOUNTING BRACKET SLOTS ARE SECURELY LATCHED IN SCREEN CASE.

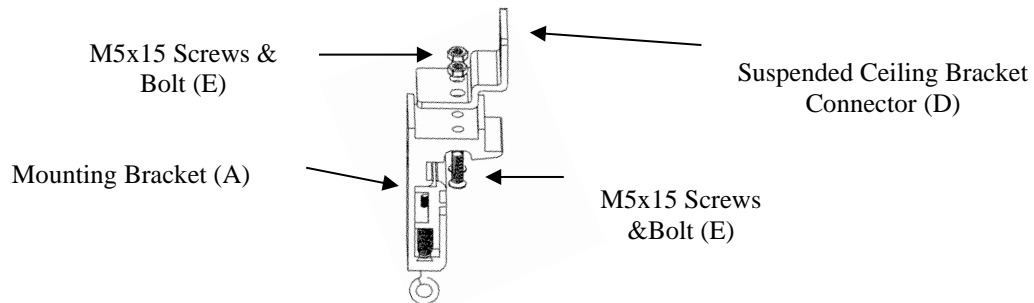
**INCORRECT:** BOTTOM MOUNTING BRACKET CLAMP SLOT IS NOT SECURELY LATCHED IN SCREEN CASE.



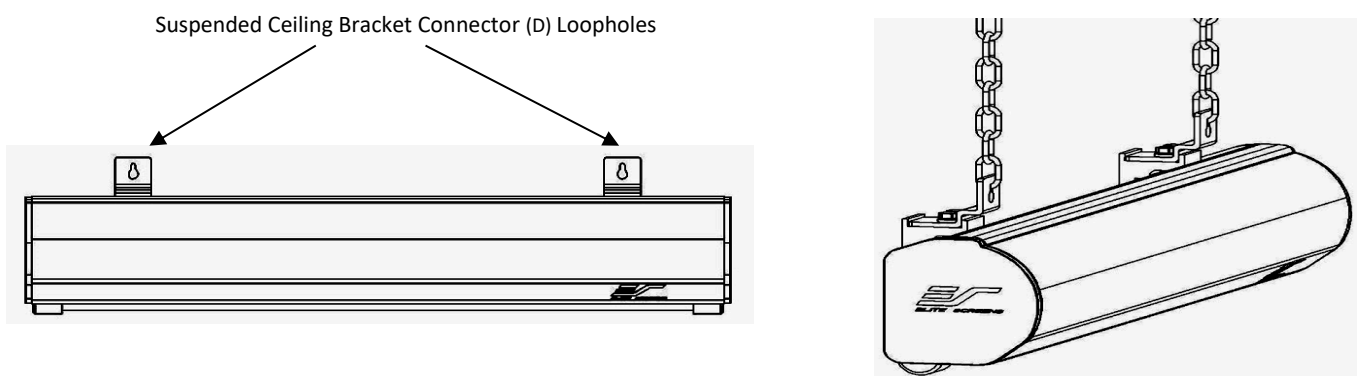
**CAUTION:** THE WALL BRACKET MUST BE SECURELY LATCHED IN THE CASE SLOTS TO PREVENT THE CASE FROM FALLING OFF.

## Suspended Ceiling using Chains (additional hardware required)

1. You can also hang the screen on the ceiling by using chains (not included).
2. Connect the *Suspended Ceiling Bracket Connector (D)* to the *Mounting Bracket (A)* and

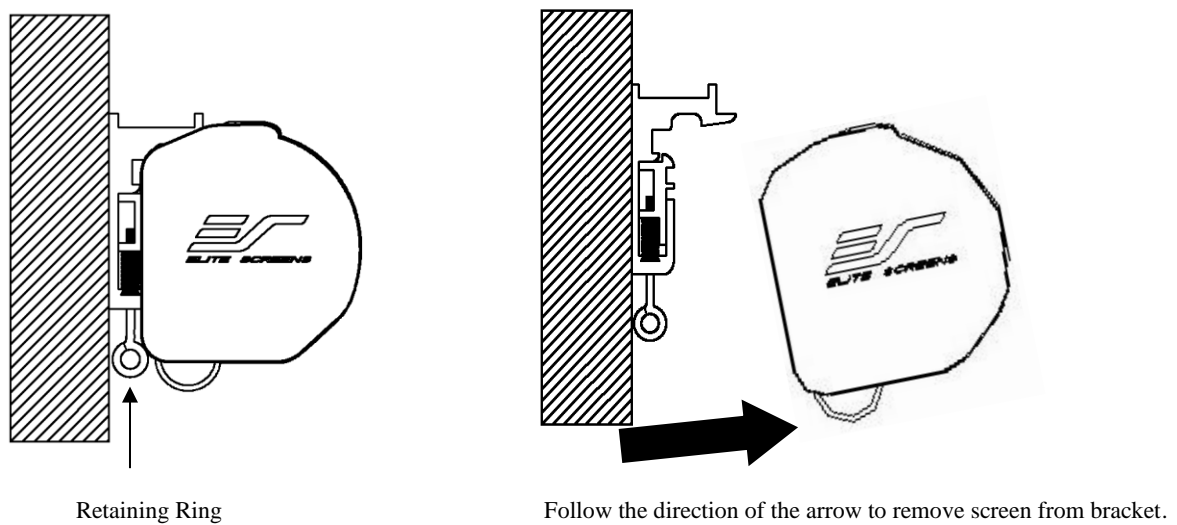


3. Insert chains (not included) through the loopholes of the *Suspended Ceiling Bracket Connector (D)*.



## Screen removal from the Mounting Brackets

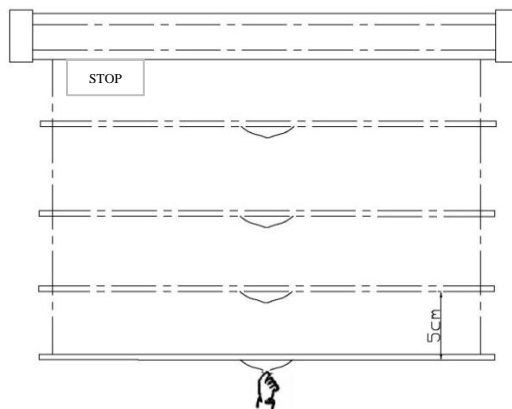
Pull down on the Mounting Bracket **Retaining Ring** and remove the bottom case away from the wall/ceiling followed by the top of the case.



## Screen Operation

1. Pull the screen down from the lanyard or from the handle only at a 90-degree angle. The screen is designed to stop at any location. To achieve this, make sure to pull straight down and allowing the screen to come up to lock into place. **Do not attempt to pull the screen down by the surface or touch the screen, as it will damage the screen and void the warranty.**

**DO NOT try to pull the screen beyond the STOP label position, as this may cause the screen material to come off the roller.**



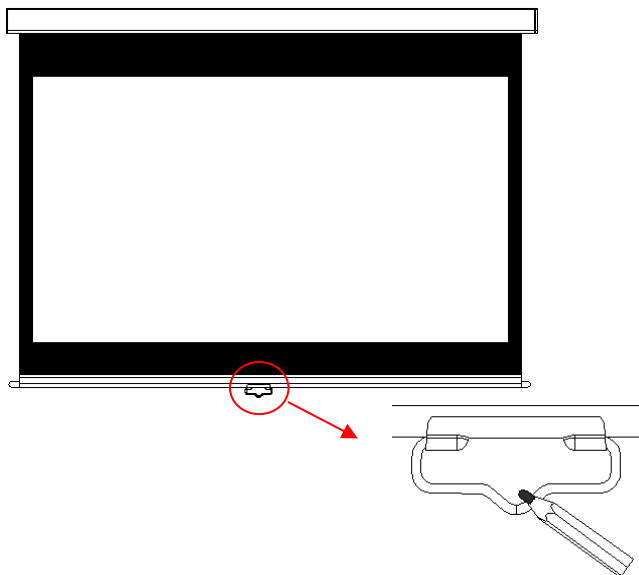
2. To retract the screen, simply pull the screen down more than 2 inches and retract the screen back releasing it up gently. The screen is equipped with a **SLOW RETRACT MECHANISM** which allows the screen to slowly retract without the need to hold on to the handle or lanyard. Simply release the handle and the screen will retract by itself into the housing.

*Note: If the screen does not unlock, carefully pull the screen straight down with a little force. Always pull the screen down at a 90-degree angle.*

**ATTENTION:** Always retract the screen when it is no longer used, to avoid the screen material from deforming.

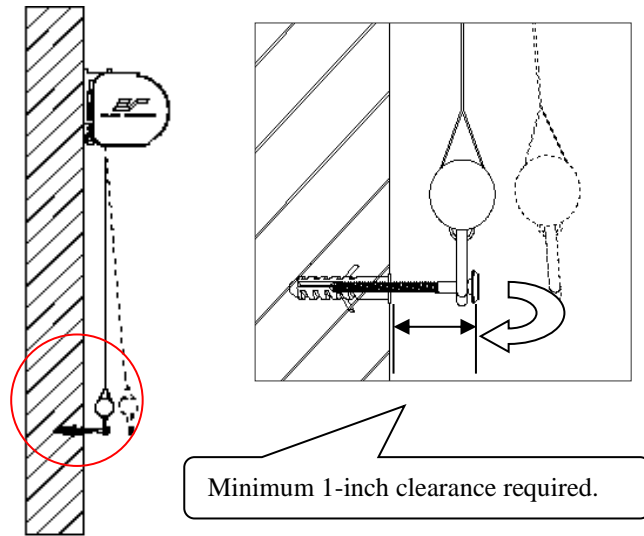
## Securing the weight bar location

1. Pull the screen down until you have reached the desired location.
2. Mark the drill-hole area of where the screw is to be installed, then retract the screen.
3. Drill the hole and insert an **M10 Anchor (C)**, secure it with an **M5x50 Screw (C)**. Allow a 1-inch gap between the wall and screw head to allow room for the weight bar and pull handle to release freely.



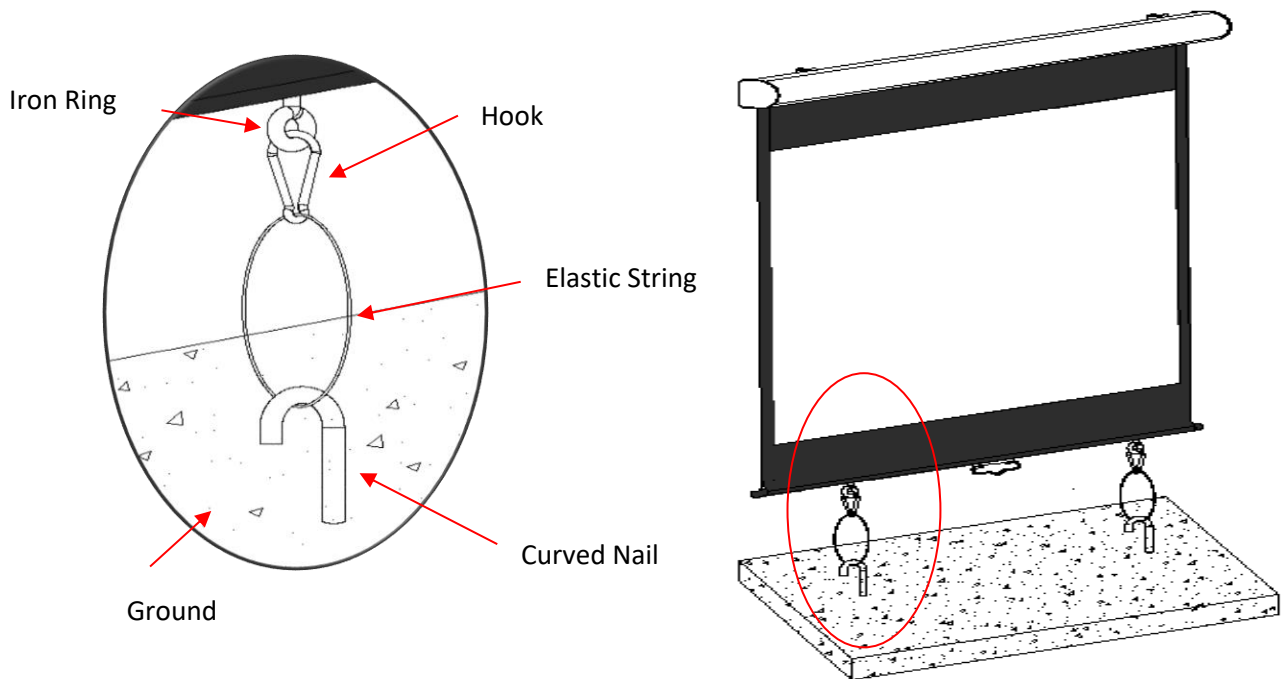
4. Pull the screen down and secure it to the screw location. Make any adjustments if there are any deviations.

*Note: Remove the screw when not in use any longer to avoid an accident.*



### How to ground the screen

1. Attach the **Hook (G)** into the Iron Ring, and join the **Hook (G)** and **Curved Nail (F)** using the **Elastic String (H)**.
2. Drive the **Curved Nail (F)** into the ground and stretch the **Elastic String (H)** in the direction of the **Curved Nail (F)** to secure screen to the ground and supply adequate tension to the screen.



For more information, technical support or your local EliteScreens contact, please visit [www.elitescreens.com](http://www.elitescreens.com)