



# ZOMS58H2-LEGS

*Yard Master 2 Extension Legs for 58" Model*

## Quick Guide

Visit [www.elitescreens.com](http://www.elitescreens.com) for latest updated version.

Thank you for choosing the Extension Legs accessory for your Yard Master 2 portable projection screen! Please read through this user guide before utilizing the accessory. Correct usage and maintenance will ensure a long product life.

### **Care & Use Instructions**

◆ After using the extension legs, disassemble and store them in a safe and secure location.

NOTE: Extension Legs will NOT fit in carrying bag supplied with the Yard Master 2 Series.

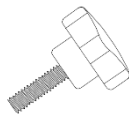
◆ To avoid damage and injury, the screen and extension legs should only be operated by adults.

### **Product Description**

Design: The aluminum frame is designed to be lightweight and easy to carry, assemble and disassemble.

### **Hardware and Parts List**

A. Knob Screw x2

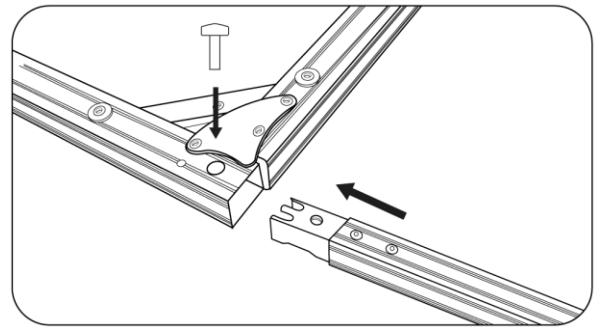


B. Left/Right extension legs x2

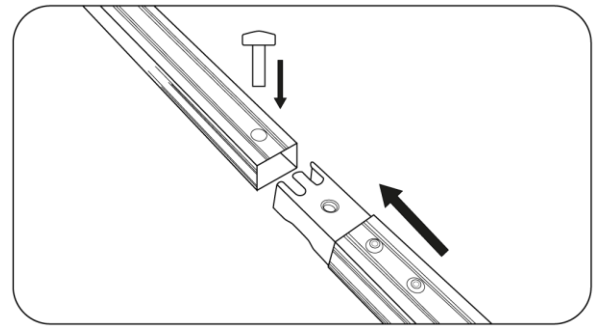


## Assembly

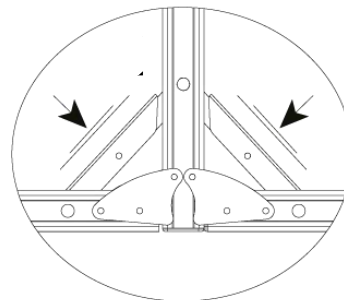
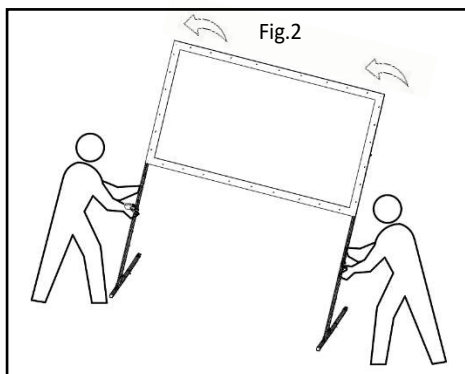
1. After the initial assembly of the screen frame, insert the extension legs into the openings located at the left and right bottom sides of the folding frame. Secure them by fastening the knob screw into the adjacent hole.



2. Next, insert the original frame legs to both the left and right extensions by securing them with the knob screw as well.



3. Lift the screen up while simultaneously opening the bottom of the legs. Ensure the legs are locked in place by pressing down on the hinges near the bottom-center of each leg. Two people are recommended for this step.



4. Lastly, make sure your screen is secure and stable. Make any adjustments if needed. The installation is now complete. *Note: Refer to Yard Master 2 User Guide for additional steps on securing your screen.*

## Disassembly

1. Repeat the assembly process in reverse to remove the extension legs on your frame.

### NOTE:

- All other accessories, except for extension legs, are supplied with the Yard Master 2 Series when purchased separately.
- See Yard Master 2 Series User Guide for full assembly instructions of the screen.

For a local Elite Screens contact or Technical Support, please visit  
[www.elitescreens.com](http://www.elitescreens.com)