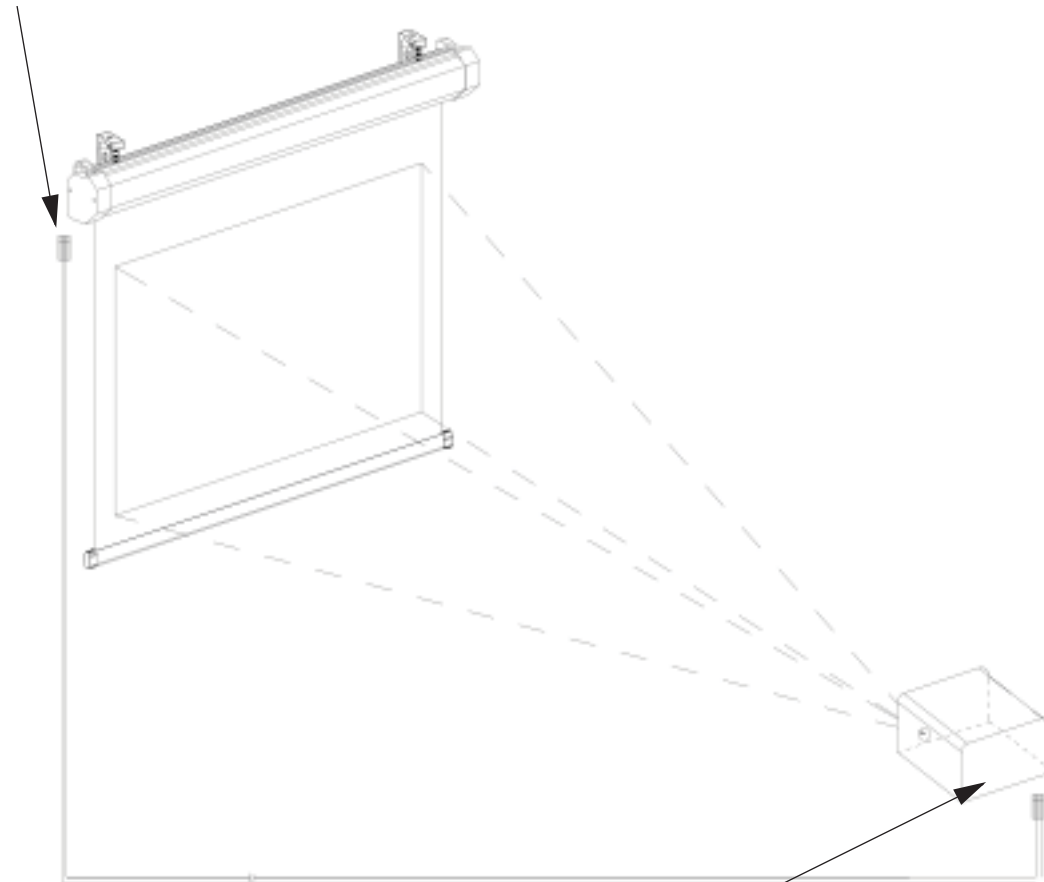


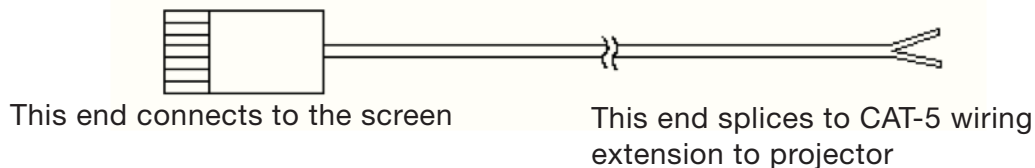
# Connection Diagram for ZSP-12V (Trigger)

Connect the 12-volt trigger to the screen's RJ-45 port



The trigger-out port is located on the back of the projector

12-volt trigger (ZSP-12V)



## NOTES

1. The wiring needed to extend the ZSP-12V to the projector's Trigger out port is not provided. You can use CAT-5 or regular phone wiring to trigger the screen.
2. The trigger-out port of a projector usually uses a 3.5mm jack (ex. Headphone jack). The 3.5mm jack can be purchased at a local Radio Shack or hardware store.
3. Make sure to properly match the green and red wires of the trigger and wiring to the 3.5mm stereo jack. The jack is marked with positive and negative pins.
4. Not all Projectors come with trigger-out ports. Please contact your projector's manufacturer for further details.
5. If your projector is not equipped with a trigger-out port, you can purchase the optional universal 12-volt trigger **model: ZU12V** from Elite Screens at [shop.elitescreens.com](http://shop.elitescreens.com) under accessories or contact [parts@elitescreens.com](mailto:parts@elitescreens.com)