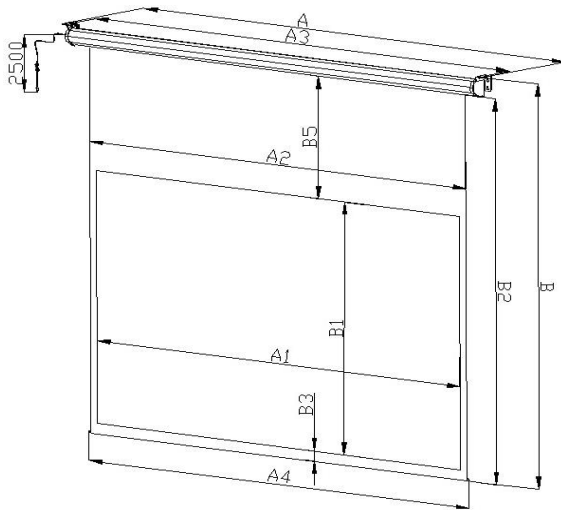


## Starling 2 Series Dimensions Table

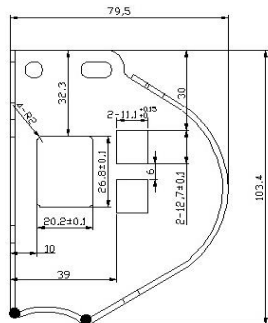
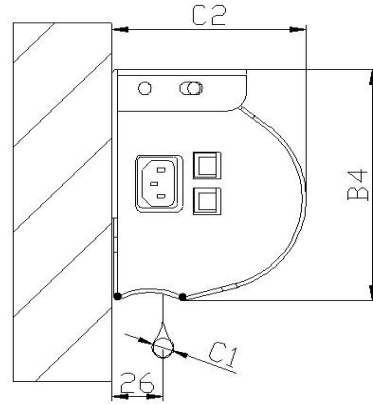
Unit:mm																			
Model Number	Nominal Diagonal	Aspect Ratio	Overall Length (A)	View Width (A1)	Screen Width (A2)	Installation Hole Distance (A3)	Weight Bar (A4)	Overall Height (B)	View Height (B1)	Screen Height (B2)	Bottom Border (B3)	B4	Top Black Border (B5)	C1	C2	L/R Border	Power Cord Length	Left EndCap to Screen Distance	Right Endcap to Screen Distance
ST120UWH2-E14	120"	16:9	2975	2655	2735	2935	2745	2002	1495	1895	50	107	350	88	88	40	2500	145	100
Unit:inch																			
Model Number	Nominal Diagonal	Aspect Ratio	Case Length (A)	View Width (A1)	Screen Width (A2)	Installation Hole Distance (A3)	Weight Bar (A4)	Overall Height (B)	View Height (B1)	Screen Height (B2)	Bottom Border (B3)	B4	Top Black Border (B5)	C1	C2	L/R Border	Power Cord Length	Left EndCap to Screen Distance	Right Endcap to Screen Distance
ST120UWH2-E14	120"	16:9	117.1	104.5	107.7	115.6	108.1	78.8	58.9	74.6	2.0	4.2	13.8	0.3	3.5	1.6	98.4	5.7	3.9

*The listed measurements are for general reference only. Please contact Elite Screens to verify product design and dimensions before attempting to integrate its products with any structural or furniture modification. Although a manufacturer may offer product advice, it may be taken or disregarded at the integrator's discretion. Elite Screens will not be held responsible or be otherwise liable for faulty installations.*

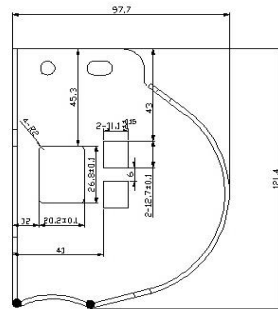
Note: Error ± 1"



**Unit of Measurement:**  
mm



**Unit: mm**  
**For Sizes 100" - 120"**



**Unit: mm**  
**For Sizes 135"**

