



Universal Ceiling Projector Mount

A56-E25B2

User Guide



The A56-E25B(2) Projector mount is compatible with 90% of projector footprints in the market. It is easy to use for low/high ceilings and short-throw wall projector installations. It can be adjusted in both length and height to optimize the right level of projection.

SPECIFICATIONS	
Max weight for ceiling and wall installation.	37.4 lbs.
Total weight of the A56-E25B2.	3 lbs.
Overall dimensions of the A56-E25B2. (L x W x H)	12.5" x 4.3" x 2.3"

Example of the A56-E25B2 with extension bar for high or angled ceilings.



Example of A56-E25B2 without extension bar for a flush mount to the ceiling.

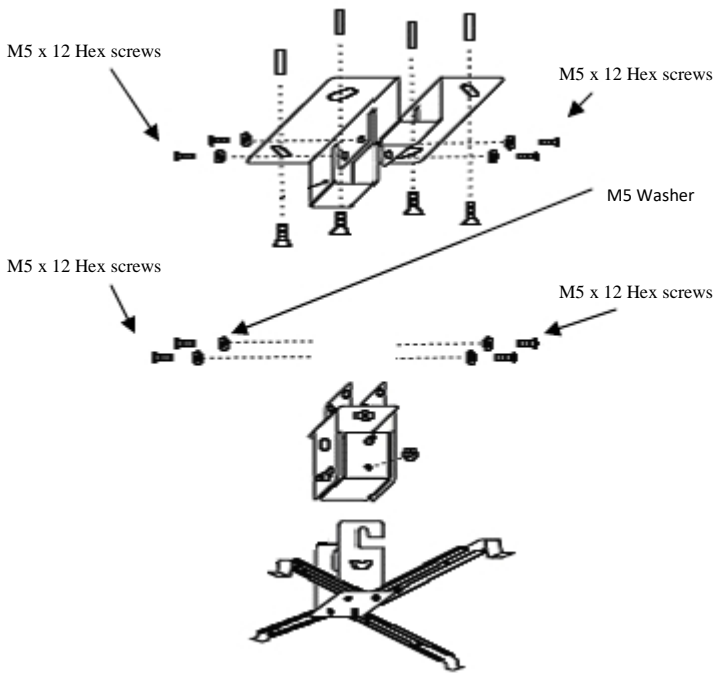


Example of A56-E25B2 as a short-throw mount for wall installation.



Flush Ceiling Mount

#1



This installation is designed to bring the projector closer to the ceiling to accommodate room size. The extension does not necessarily have to be removed for the projector to be mounted. The design of this particular mount has the ability to be extended or flushed closer to the ceiling. The extra accessories can be removed and replaced with additional parts. The extra hardware is designed to fit 90% of the different projector types in the US. Some screws may be required for the projector. For proper installation, please make sure the projector has the option of being ceiling mounted. Please reference in the projector's manual for mount options. The projector mount has the capability to tilt at a 20-30% angle in a circular motion.

d



Short extension

e



Extension for spider leg.

f

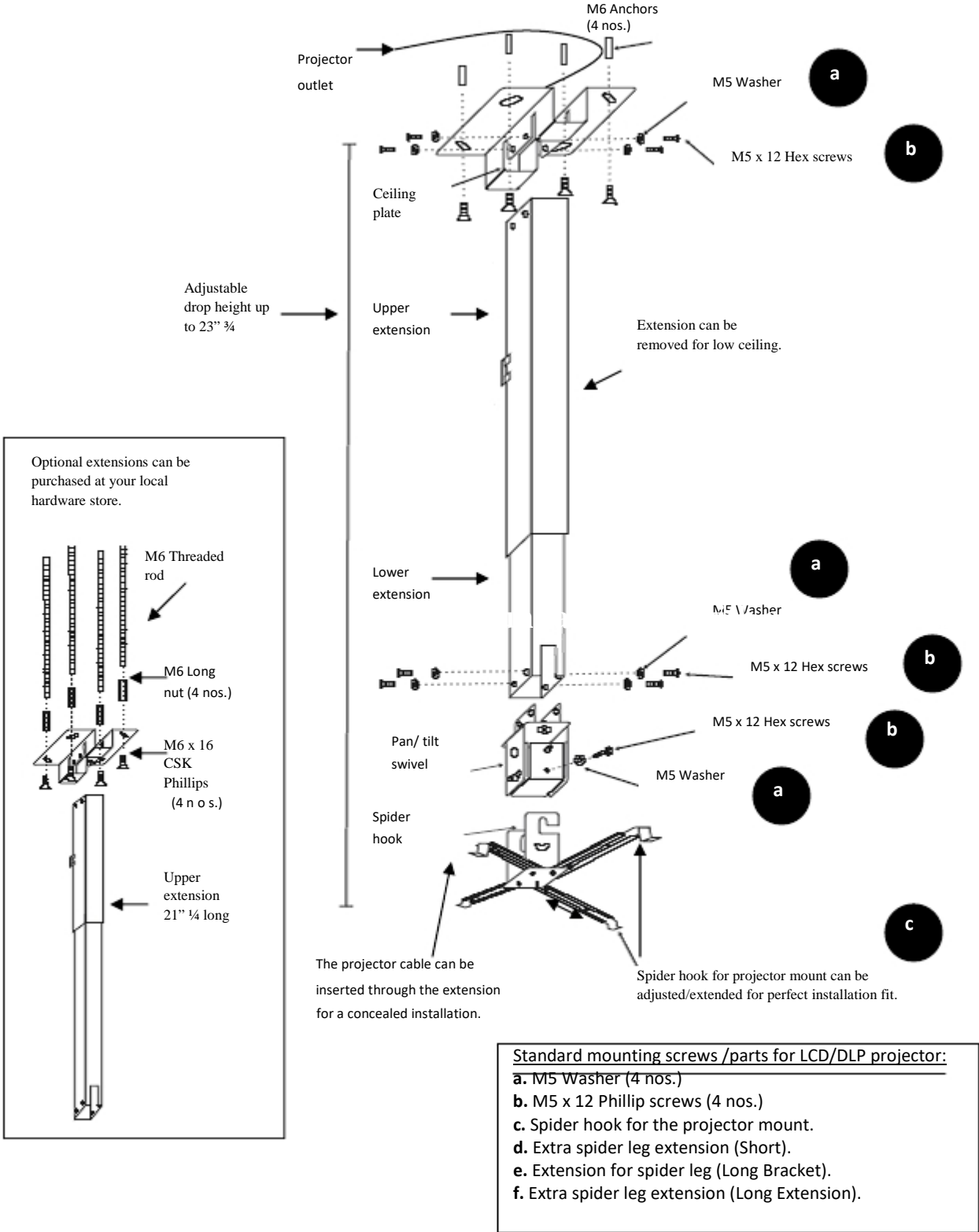


Long extension for spider leg.

These extensions are extra parts for mounting purposes. By simply removing either extension from the mount you can have it shortened or extended depending on the size and model of your projector. The spider legs are manufactured to extend if needed to provide extra extension to reach the correct mount screw. By adding extension (e) you can have the spider legs extended further for reaching the projector's screw points. Extension (d) can be placed with extension (e) by securing it with screw type (b). Extension (f) is an extra accessory; the mount has 2 extensions similar to extension (f). This will only be required if the extensions are not long enough for your projector.

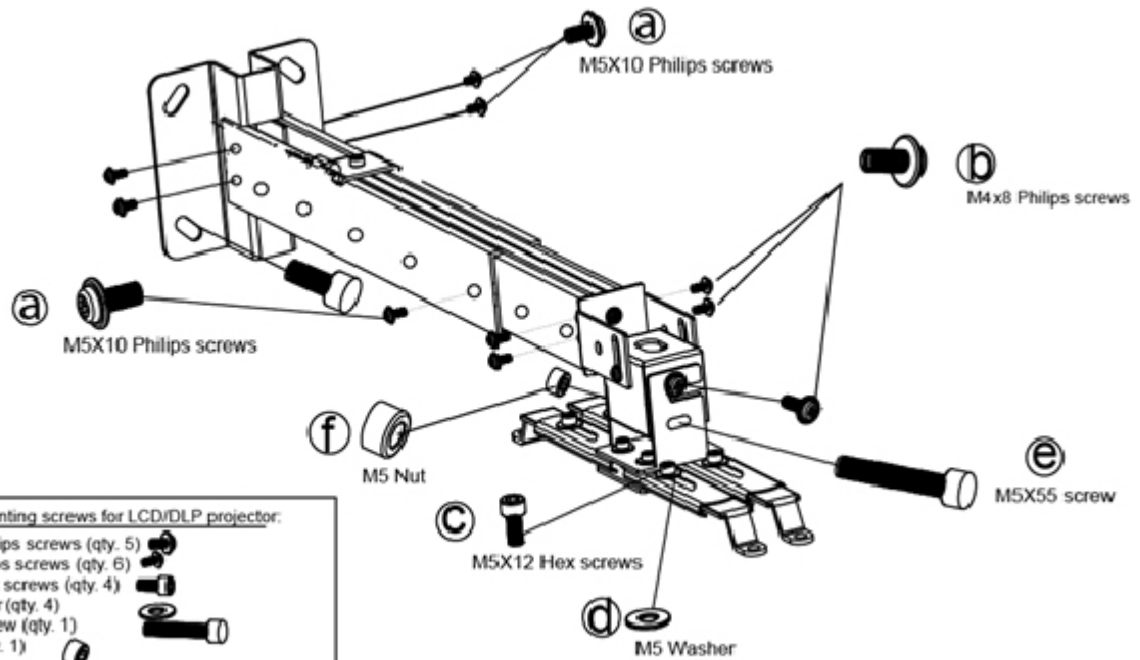
Mount assembly with extension bar

#2

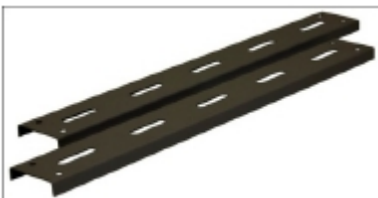


Short-throw mount assembly bar

#3



Remove the 2.5" Phillips head screw from the Pan/ Tilt Swivel to easily modify your mount to be used as a short-throw Mount. Next is to remove the Straight Blade head screws (2) from the Pan /Tilt Swivel. Connect the Spider Body to the Pan Tilt Swivel (as shown in picture), and secure with one M4x8 Phillips screw and the M5x55 screw and M5 Nut. Connect the Extension Bar to the Pan/Tilt Swivel and secure on both sides with the M4x8 Phillips screws. At the other end of the Extension Bar, connect the Wall Plate and secure with the M5x10 Phillips screws. Note: Extension Bar will need to be adjusted to connect to the Pan/Tilt Swivel and the Wall Plate. After connecting the Spider Legs to the Spider Body, the mount is ready to be attached to the projector and mounted directly to the wall or on the optional ZA56-WP (Wall Plates).



Optional ZA56-WP
(wall plate mount for short-throw wall mount on wood studs)