



DIY Wall 3 Series

Indoor/Outdoor Portable Roll-down Projection Screen


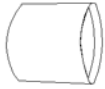
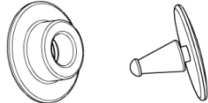



User's Guide

The DIY Wall 3 Projection Screen was designed to provide a simple portable solution to hang on an indoor/outside wall, patio, tree or just about any surface you want to project on. When using outdoors, please keep away from direct sunlight or rain to ensure longevity. The screen material can be cleaned with mild soap and water.

For more a video demonstration on how to assemble and install the DIY Wall 3, please visit www.elitescreens.com/videos/diyw3

Hardware and Parts List:

Please make sure all parts listed below are included before installation.

A. Top & Bottom support bar x 2pcs	B. Plastic end cap x 4pcs	C. Buttons x 37-53pcs
		
D. Hollow wall anchor x 4pcs	E. M5*60mm screws x 4pcs	F. Screen Material
		

Material Installation:

1. Lay the **screen material (F)** completely flat with the back facing down on a clean surface in a horizontal position.
2. Take out the **weight bars (A)** and **buttons (C)** from the packaging.
3. Insert and fasten all the buttons along the top and bottom of the **screen material (F)**, listening for a "snap" when attaching the buttons to insure they are secure. To insure they are secure, also give the buttons a slight tug, tap, or flick before proceeding.

****Please be sure the button is inserted through the front side of the screen material and secured with the clasp on the backside of the material. If needed, please carefully remove the button using tools while avoiding damaging the screen material.***

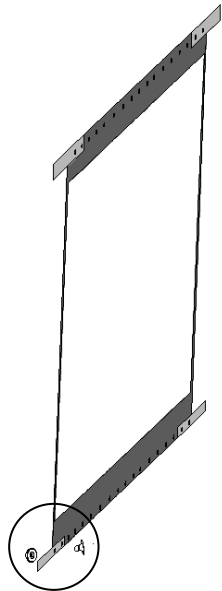
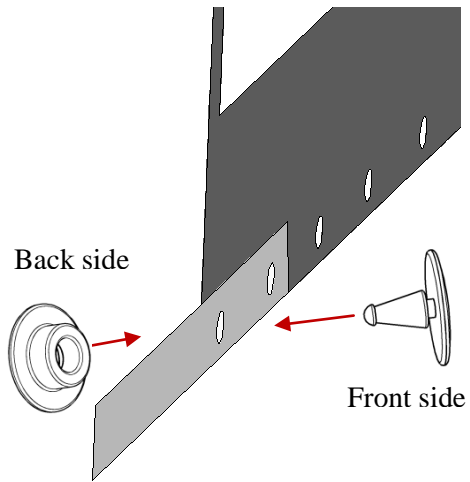


Fig.1



4. Two people are suggested for this step. While the screen remains laying on a flat surface, one person guides the support bars, while another slowly and carefully slide sit over the material as shown in **Fig. 2** and **3**.

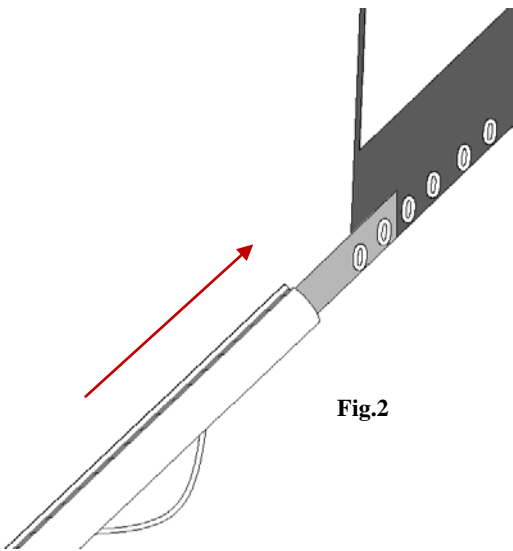


Fig.2

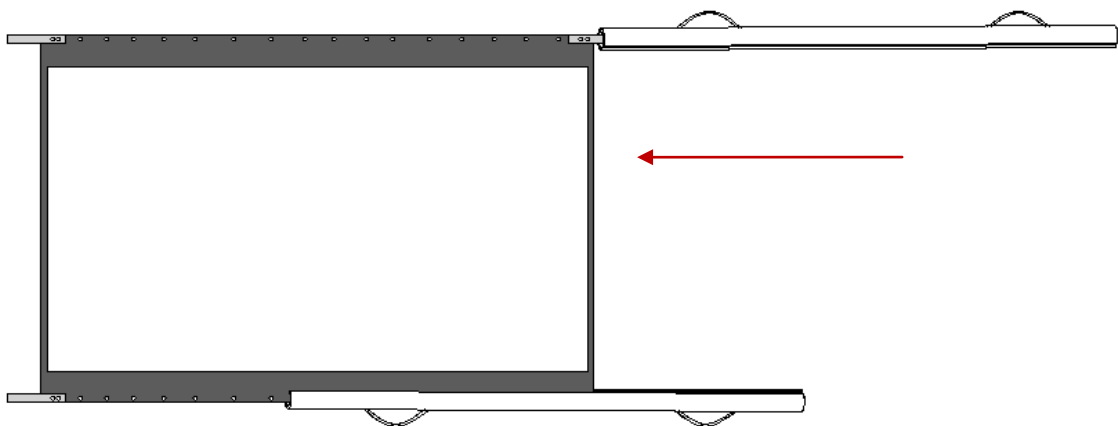
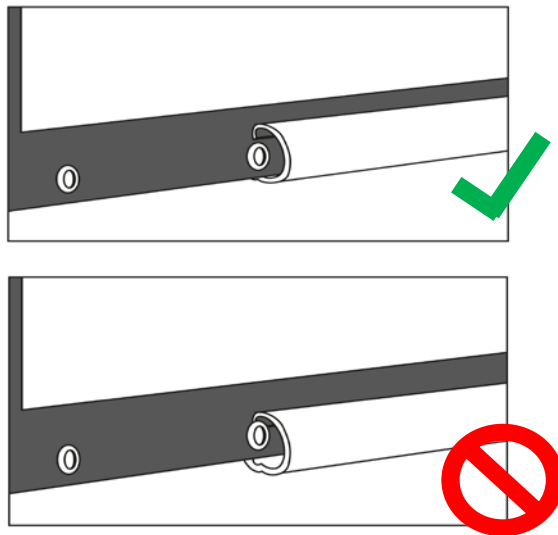
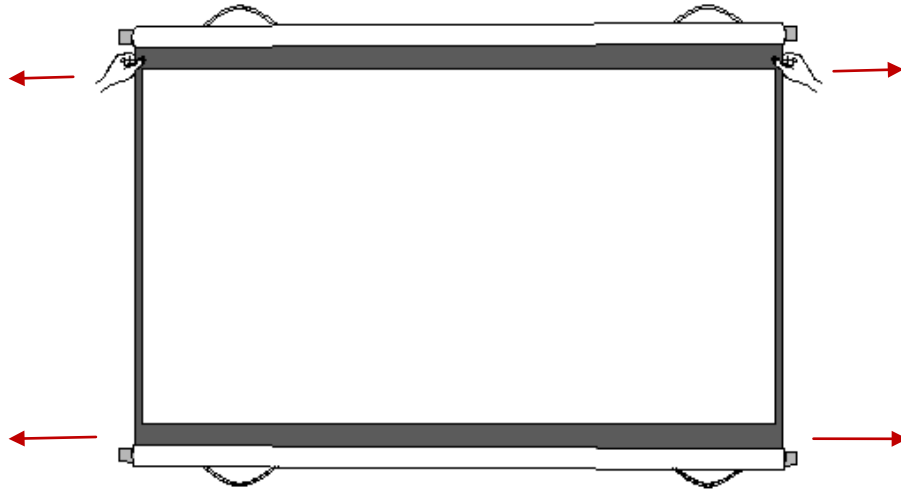


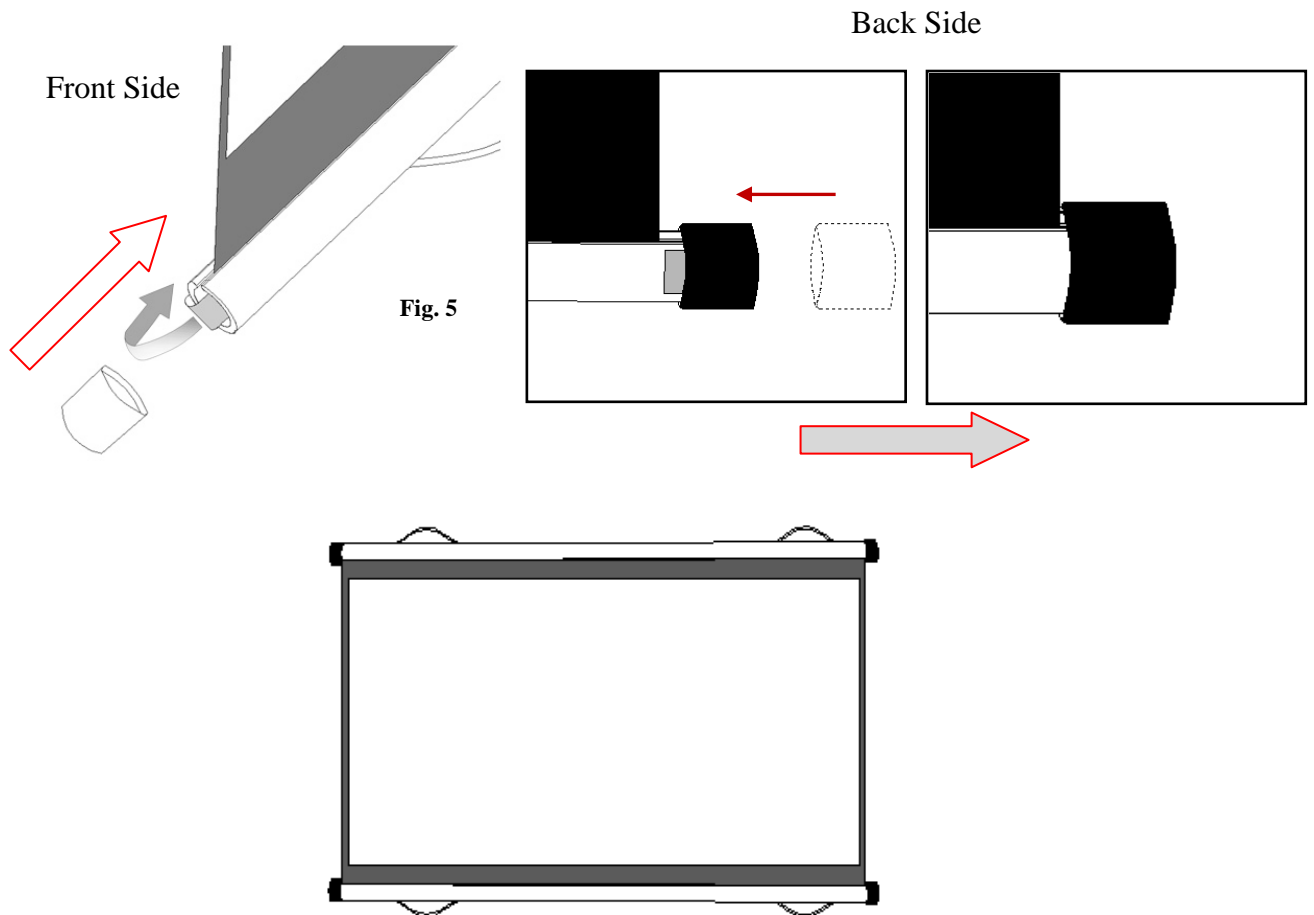
Fig. 3

5. Once the weight bars are fully inserted, pull both sides of the material (**Fig. 4**) outward which should remove and prevent the material from wrinkling.

Fig. 4



6. Make sure the material is not wavy or wrinkling by pulling on the material strip on all sides. Then fold back the excess and then insert the end caps. (**Fig.5**)



Installation:

1. Measure the distance between the two hooks (**Fig. 6**) which are located on the top support bar and install two screws or nails in the area where the screen will be installed. Once the nails or screws are in place, hang the screen by the wall hooks and carefully roll the screen down.

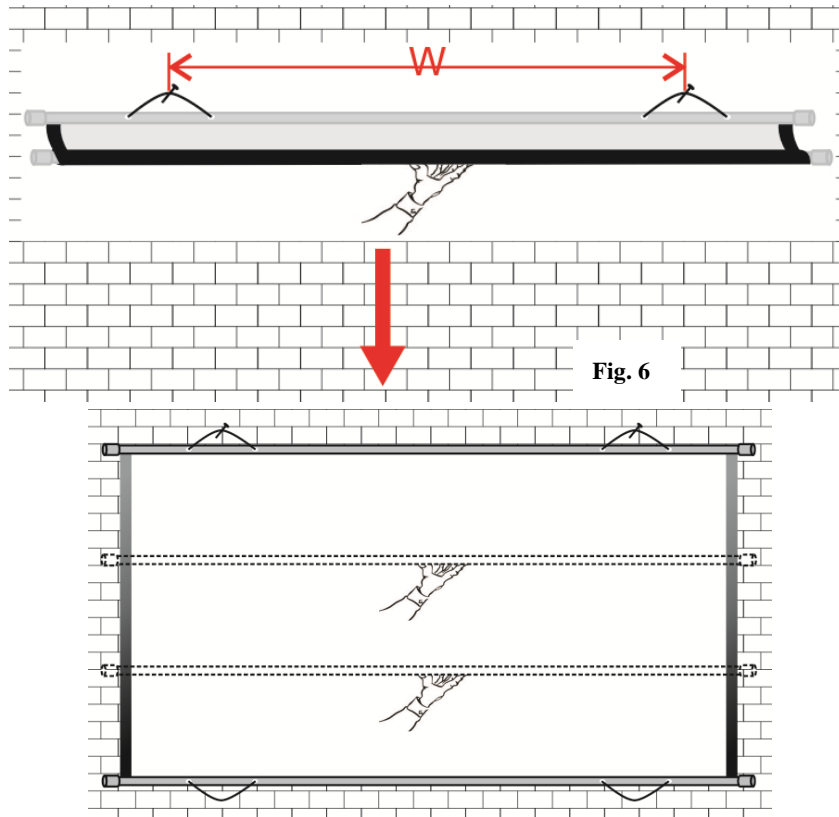


Fig. 6

2. Next, measure distance of the top hook and bottom hook (**Fig. 7**) to determine the height required for the bottom nail or screw installation. Once the bottom nails/screw supports are in place hang the bottom hooks to secure the DIY Wall 3 screen.

Tip: Pull the hooks on the bottom weight bar as far as they allow prior to installing the screw. This will allow the screen material to properly stretch out for a flat and taut installation.

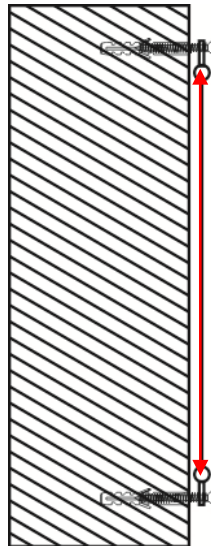


Fig. 7

**For Technical Support or an Elite Screens contact in your area,
please visit www.elitescreens.com**