

Yard Master Series | Model: OMS200H1 | User's Guide


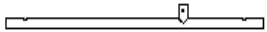

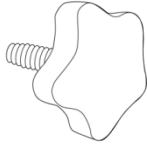




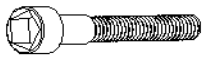
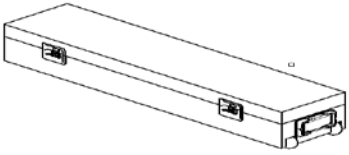

Note: 3 people suggested for setup of the OMS200H1

1. The Ring-Stakes, Curved-Stakes & Guy Rope should always be installed for Stability.
2. Use of this product is not recommended in gusty winds over 20mph.

Maintenance:

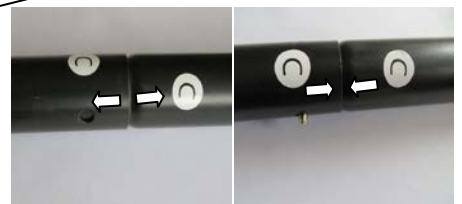
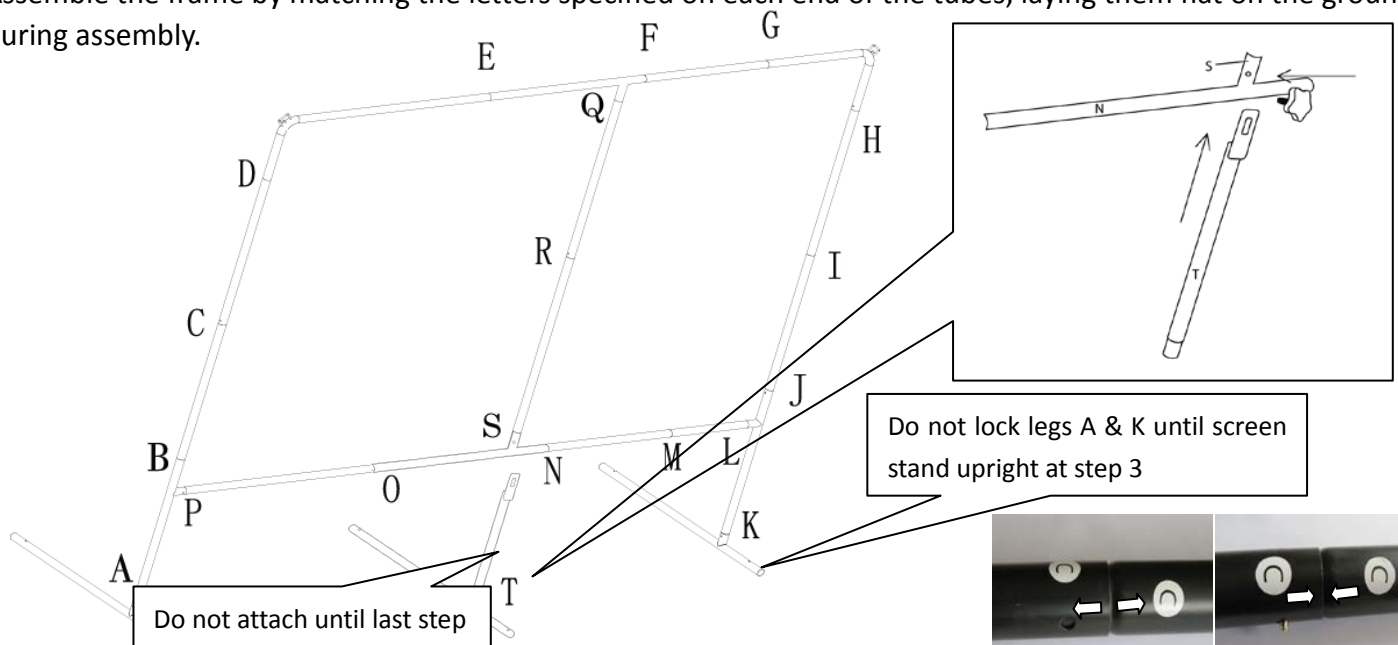
1. Soft cloth with mild soap & water may be used to clean the screen's surface.
2. To prolong the lifespan of this product, store it in its carry case when not in use.

Parts checklist (Model : OMS200H1)

<p>A. Screen material x1</p> 	<p>B. OMS200H1 Steel tube x19</p> 	<p>C. Curved Stake x6</p> 	<p>D. Knob Screw x1</p> 
<p>E. Ring-Stake x6</p> 	<p>F. Guy-Rope x6-5.5m</p> 	<p>G. M6hex nut x43</p> 	<p>H. Center Steel Tube x1</p> 
<p>I. M6 hexagonal screw x43</p> 	<p>J. Carrying Case x1</p> 		<p>K. Lock Pins (Spare parts) x 5</p> 

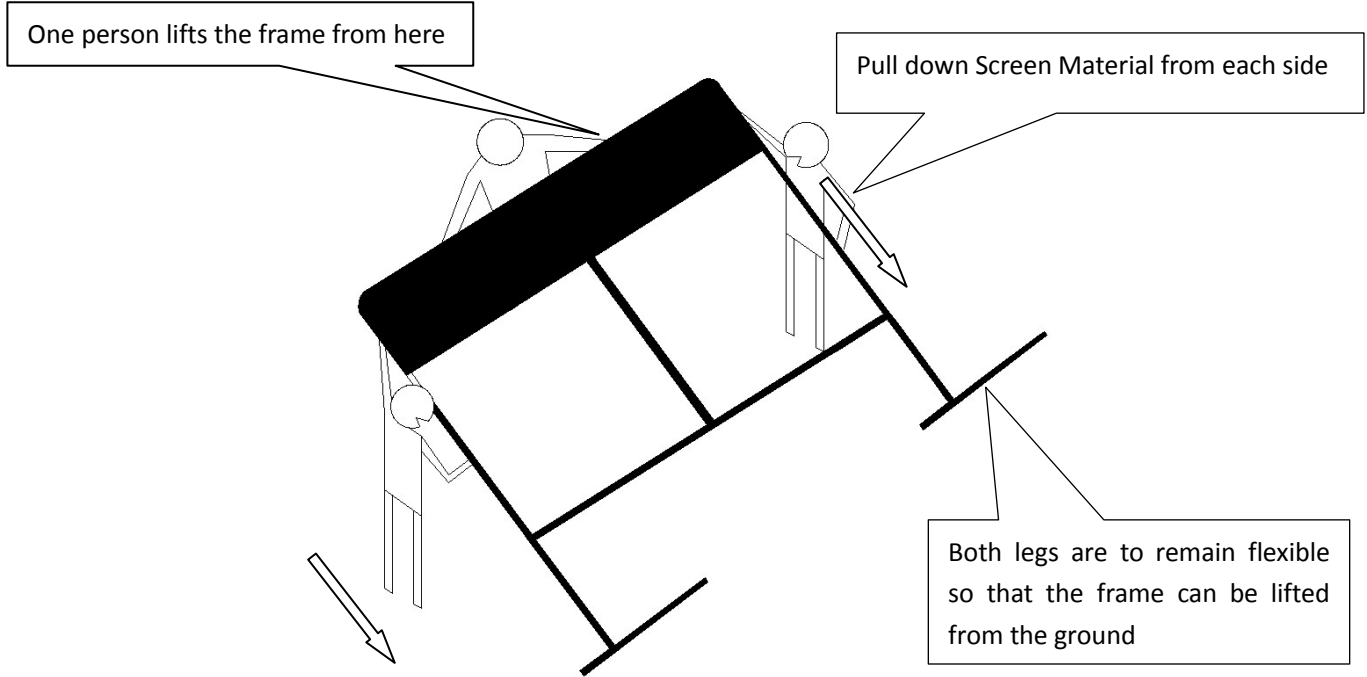
Step 1: Frame Assembly

Assemble the frame by matching the letters specified on each end of the tubes, laying them flat on the ground during assembly.

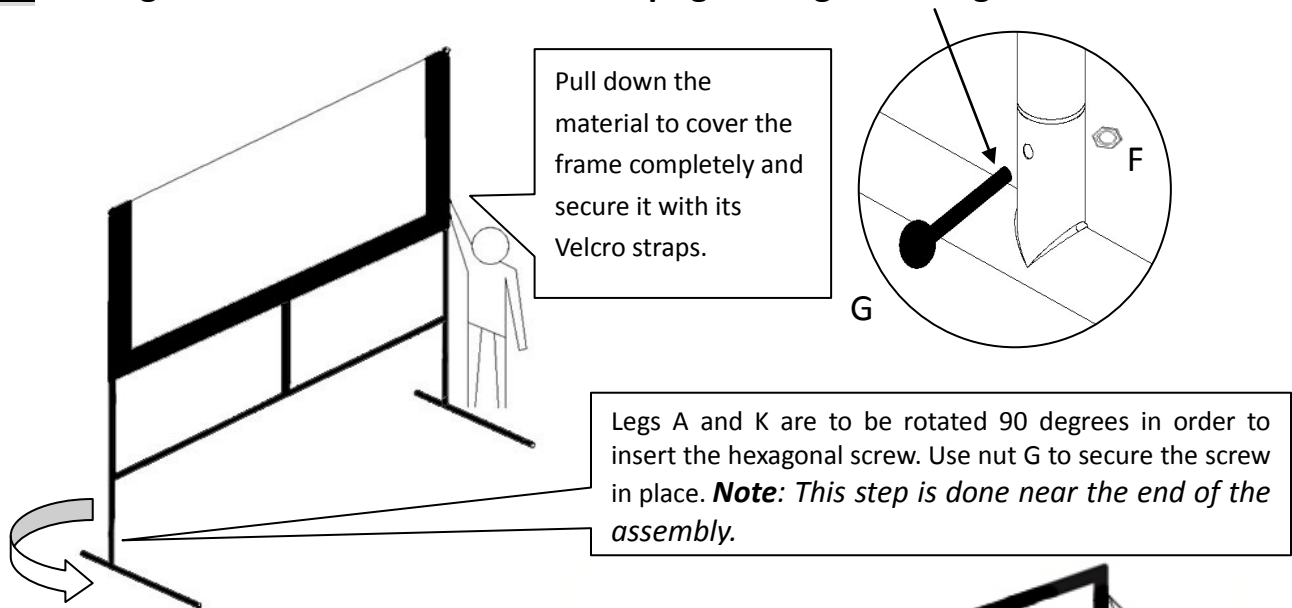


Step 2: Slipping on the Screen Material Over the Frame

With one person lifting the frame off the ground, two people can pull on the material from each side.



Step 3: Lock legs A & K once the frame stands upright using the hexagonal screws



Step 4: Ensure that the

ring-stakes and guy rope are properly used to safely secure the screen to the ground during use.

