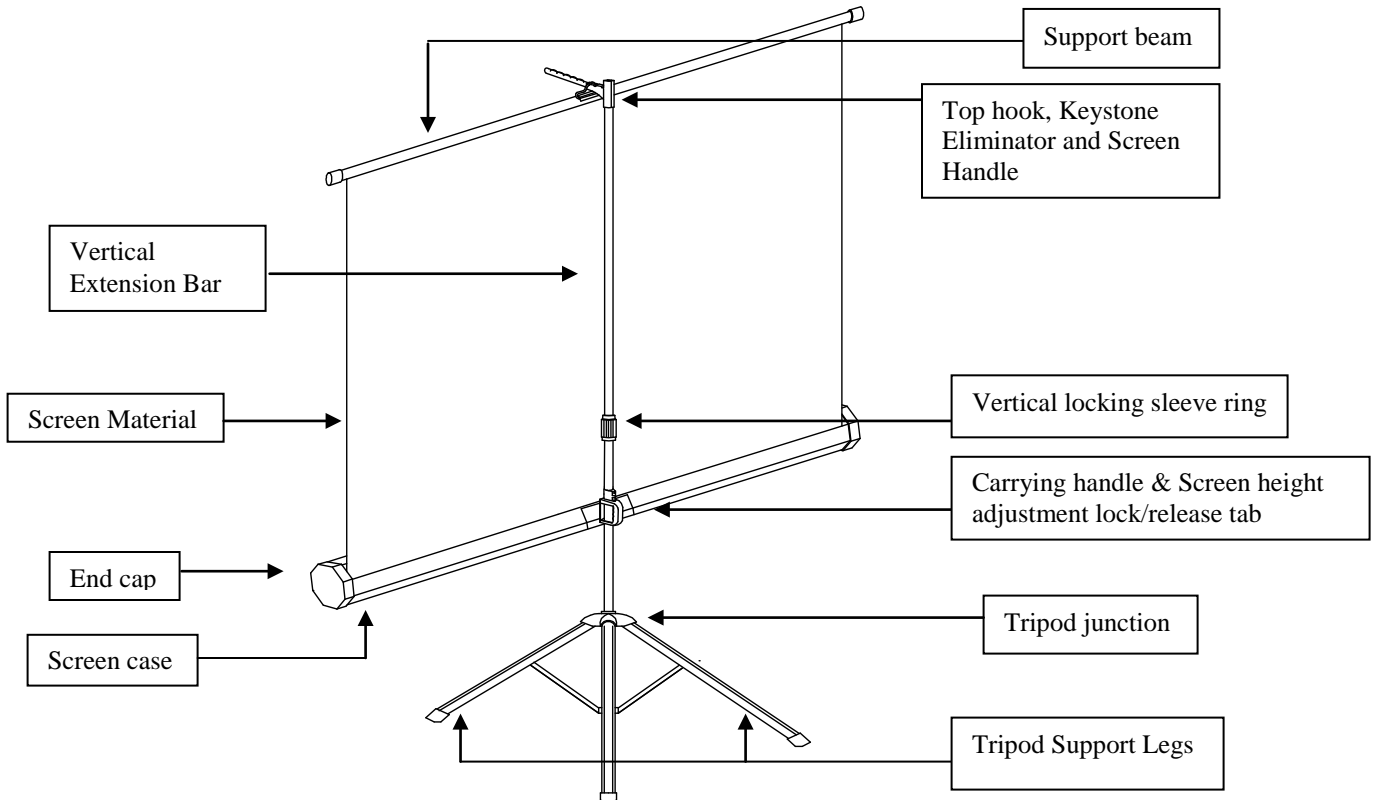




# Tripod B Series

## Tripod Portable Projection Screen USER'S GUIDE

### Tripod Screen Parts Identification

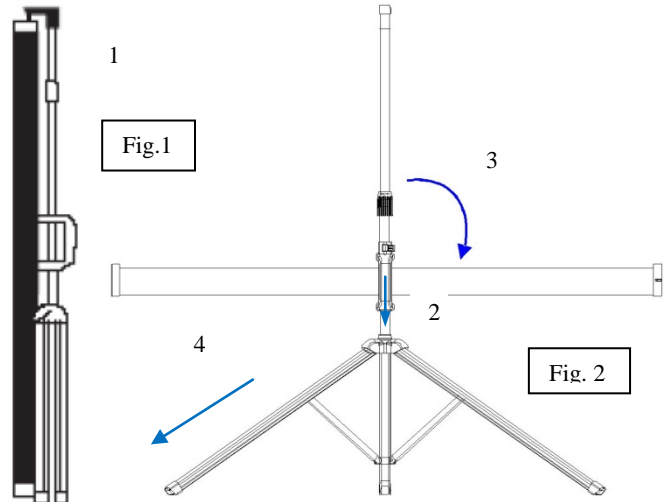


### Tripod Screen Setup

#### A. Setting up the screen:

Follow the steps below and Fig. 1 & 2.

1. Place the screen in an upright position (fig.1) with the legs toward the ground.
2. Deploy the Tripod **Support legs** by pushing down on the **Tripod Junction**.
3. Turn the tripod's screen casing in a 90-degree horizontal position so that the screen casing is now parallel to the ground with the screen handle facing the bottom of the top hook.
4. Completely extend the legs as much as possible so they are stable and position them away from objects that may interfere with their balance. **DO NOT** stand the tripod on an unstable platform to avoid an injury should the tripod screen collapse.



## B. Preparing the tripod screen for projection:

Follow the steps below and Fig. 3.

1. Pull the screen handle up vertically and hook the screen handle on the **Top Hook**.

*\*Note: Use the Keystone Eliminator to prevent “Keystone Effect” from occurring. Keystone Effect is caused when a projector presents its image at a downward angle causing a trapezoid-shaped image to appear on the screen. The Keystone Eliminator is designed to eliminate that effect by sloping the screen forward.*

2. Twist the **Vertical Locking Sleeve Ring** to the left to unlock the current position of the **Vertical Extension Bar** and raise it as necessary to the desired height.

3. Pull the **Screen Height Adjustment Lock/Release** tab out (to the left) located just above the **Carrying Handle** to raise or lower the bottom of the screen. Once the desired height has been set, push the tab in to lock the position in place.

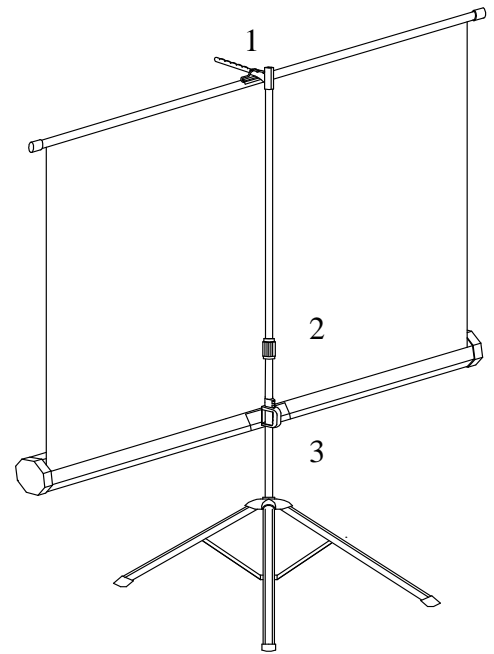


Fig. 3

## C. Disassembling the screen:

Follow the steps below and Fig. 4.

1. Unlock the **Adjustment Handle** by pulling the locking tab to the **left** and slowly slide the handle all the way down to bring down the position of the screen's case.

2. Hold the **Extension Bar** and twist the **Vertical Locking Sleeve Ring** to unlock and release the position of the extension bar. Once the extension bar has been brought all the way down, unhook the screen material from the **Top Hook** and slowly retract the screen back into the case.

*\* Note: It is very important to remember to hold the extension bar first and then unlock the sleeve to prevent the extension bar from slamming and causing injury or damaging the screen.*

3. Turn the screen's case **vertically clockwise** and insert the **Top Hook's** bottom pin to lock into the screen's end cap hole.

4. Close the tripod legs by pushing them in. Lastly, tighten the **Vertical Locking Sleeve Ring** by twisting it.

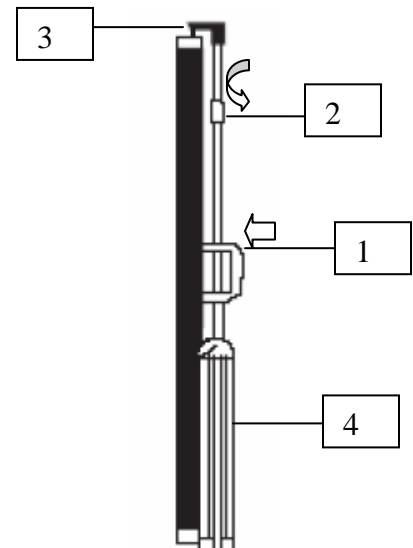


Fig. 4

## Note:

- To ensure the screen is stable, extend the tripod's legs as much as possible.
- Do not fold the screen or allow any sharp objects to touch the screen's surface.
- Clean the screen surface often when needed.
- Careful use will extend the lifetime of this product.

For more information, technical support or your local Elite Screens contact, please visit [www.elitescreens.com](http://www.elitescreens.com)