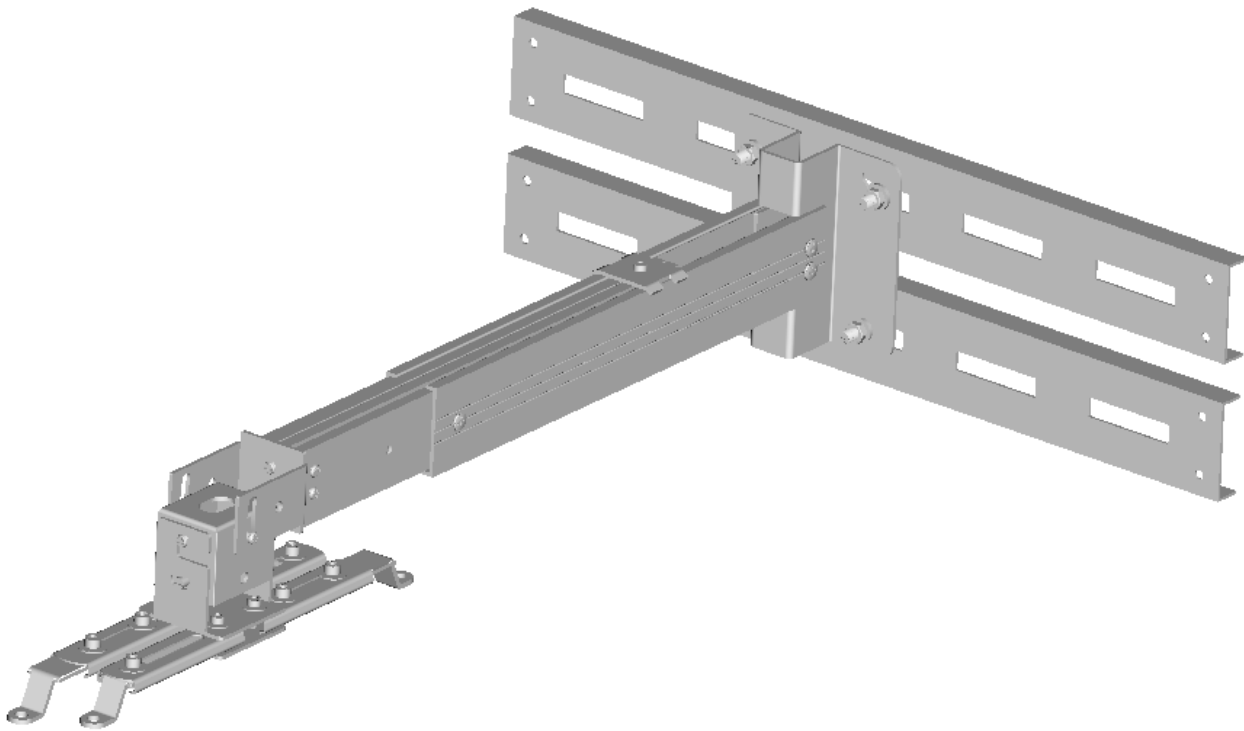




Wall Plates for the A56-E25B2 Universal Projector Mount

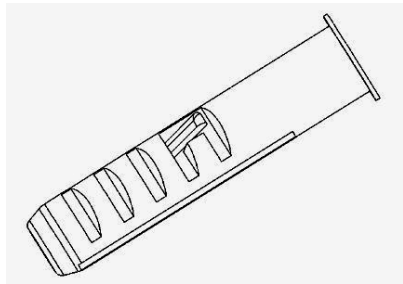
# **ZA56 -WP**

User's Guide

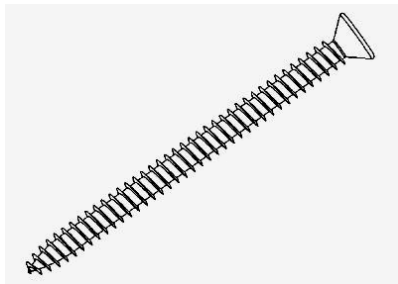


## Parts List for ZA56-WP Wall Plates

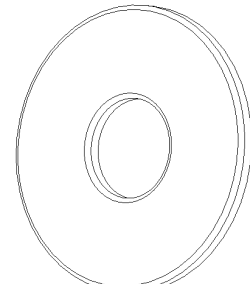
Please make sure all parts listed below are included before proceeding with the installation.



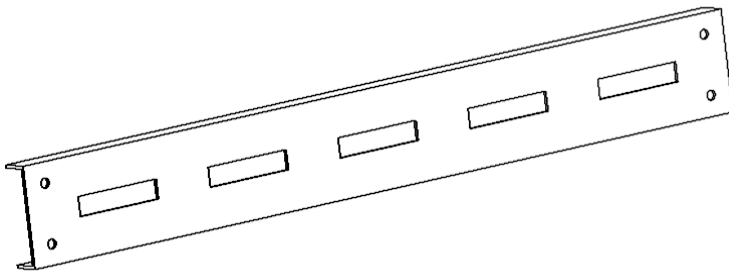
A.



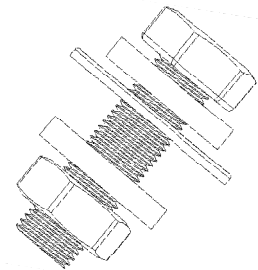
B.



C.



D.

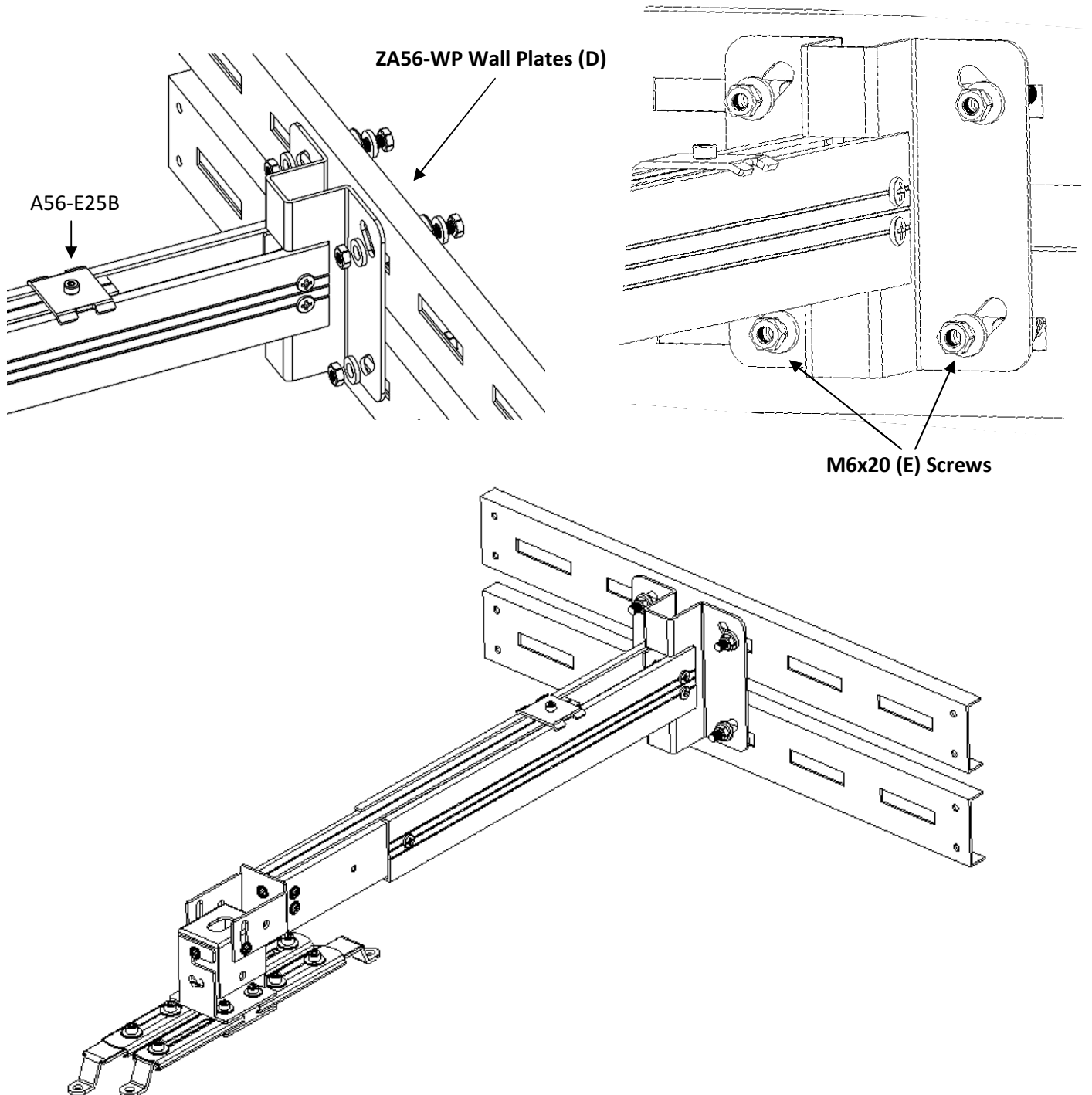


E.

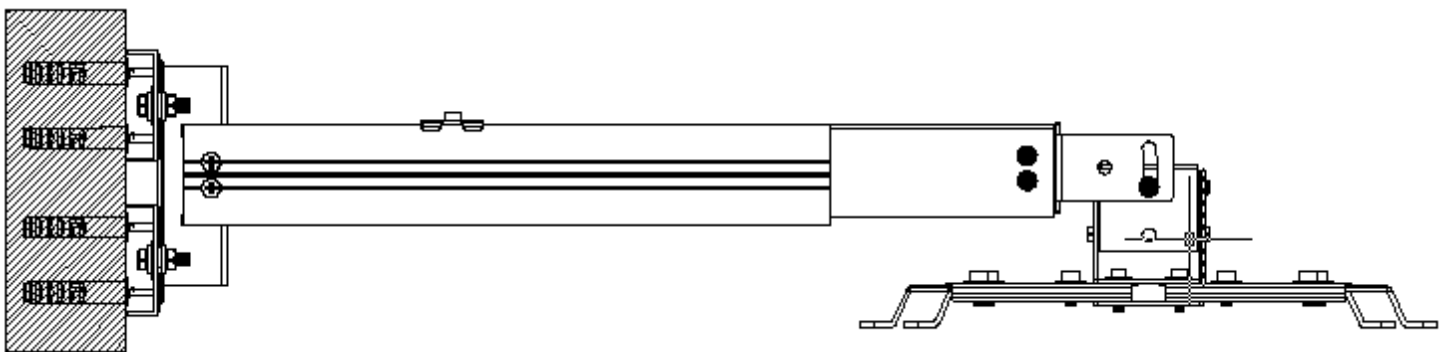
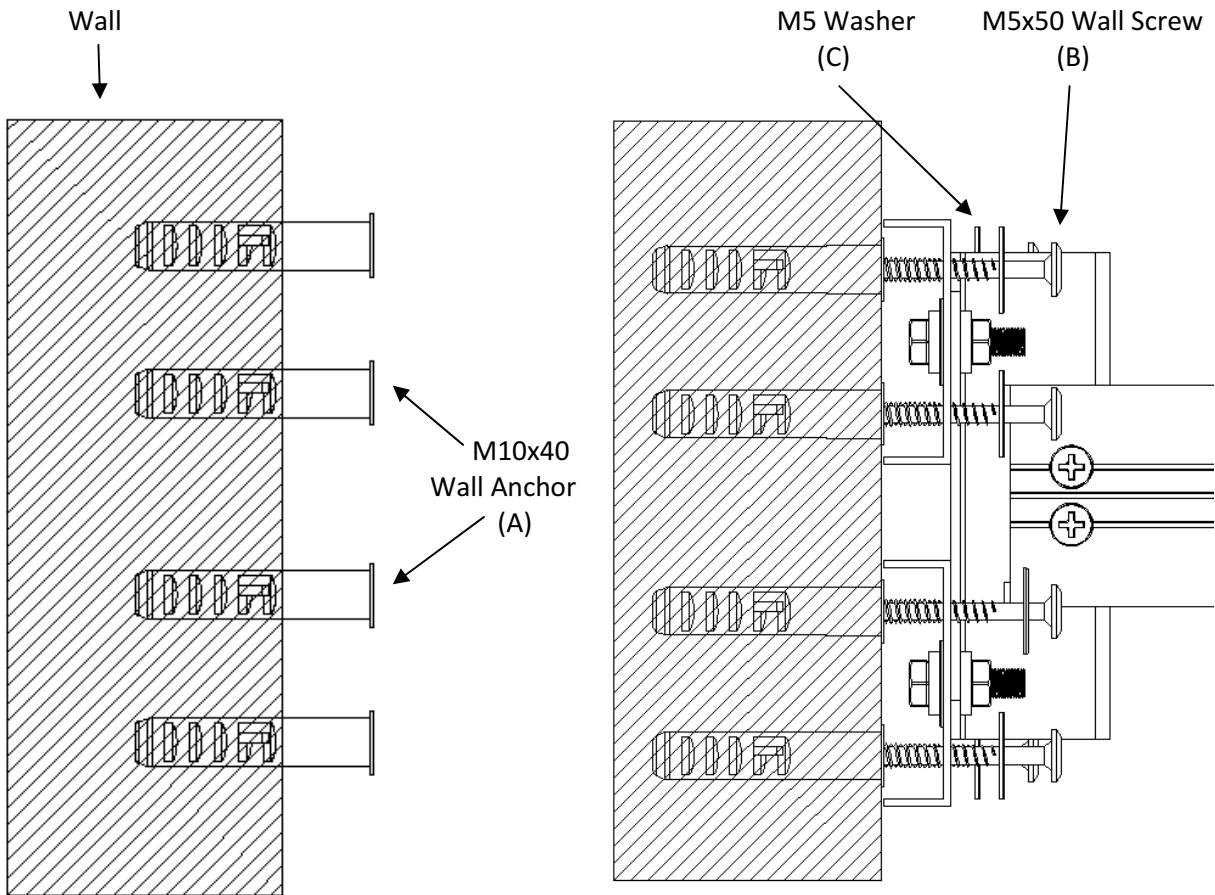
Parts	Qty
A. M10x40mm Wall Anchor	8
B. M5x50mm Wall screw	8
C. M5 Washer	8
D. ZA56-WP Wall Plates	2
E. M6x20mm Screw/Washer/Bolt	4

# Installation Instructions

1. Attach the A56-E25B Universal Projector Mount (available @ [www.elitescreens.com](http://www.elitescreens.com)) to the ZA56-WP Wall Plates (D) and secure with M6x20 (E) Screws.



2. Attach the A56-E25B2 & ZA56-E25B (D) to the Wall by using the included **M10x40 Wall Anchors (A)**, **M5x50 Wall Screws (B)** and **M5 Washers (C)**.



# Warranty Policy

- **Two (2) Year** parts and labor warranty from defects in workmanship from purchase date as follows (except for refurbished units as specified below).
- **Three (3) Year** parts and labor warranty from defects in workmanship for **GEMR** (Government, Educational, Military, & Religious) purchases of new product only.
- **Refurbished Units** carry a **90-DAY** parts and labor warranty.
- Each party will be responsible for one way shipping during the warranty period.
- A **RMA (Return Merchandise Authorization) number** must be issued in order to process a replacement or to authorize a return for warranty repair. Elite Screens will, at its sole option replace or repair the defective unit with a replacement \*(see exceptions below) after the defective unit or parts have been received. Once the product is received, Elite Screens will send out a replacement \*unit to the customer by ground service (subject to inventory availability).
- **Do Not Return Any Unauthorized Items to Elite Screens, as they will be refused and returned at your expense. The RMA Number must be included on the outside label of your shipping box. Our warehouse is not authorized to accept returns without an RMA number on the shipping label.**
- **RMA Numbers are valid for 45 days from the date issued.**
- **Missing Parts** must be reported within 7 days of receipt. If reported after 7 days, the customer will be responsible for shipping and handling fees. If reported after 30 days of receipt, the customer will be responsible for cost of parts and shipping & handling fees.

\*A New or refurbished replacement will be send out to the customer depending on the type of purchase (new or refurbished) and based on stock availability.

## **North America only U.S. and Canada**

For Warranty and Service requests, please submit an RMA/Service Form at:  
[www.elitescreens.com/warrantysupportform](http://www.elitescreens.com/warrantysupportform)

Please visit this link for full Warranty information:  
[www.elitescreens.com/warranty](http://www.elitescreens.com/warranty)

For Customer Service and Technical questions, please contact Elite Screens at:  
Telephone: (877) 511-1211 [service@elitescreens.com](mailto:service@elitescreens.com)  
Fax: (562) 926-8433 [techsupport@elitescreens.com](mailto:techsupport@elitescreens.com)

**REMEMBER TO REGISTER YOUR PRODUCT AT:**

**[www.elitescreens.com](http://www.elitescreens.com)**

# Elite Screens Contact Information

US & Canada Tech Support & Warranty Claim

Please contact us at [service@elitescreens.com](mailto:service@elitescreens.com) or call +1 877-511-1211 #3 or fax +1-562-926-8433

Europe Tech Support & Warranty Claim

Please contact us at [service@elitescreens.eu](mailto:service@elitescreens.eu) or call +49-(0) 40-30392958

Asia Tech Support & Warranty Claim

Please contact us at [service@elitescreens.com.cn](mailto:service@elitescreens.com.cn) or call +86-(0) 755-8461-7989

Taiwan Tech Support & Warranty Claim

Please contact us at [service@elitescreens.com.tw](mailto:service@elitescreens.com.tw) or call +866+2+8990-1999

## America:

### Elite Screens Inc

16410 Manning Way  
Cerritos, CA 90703 USA  
Tel: +1-877-511-1211  
Fax: +1-562-926-8433  
[info@elitescreens.com](mailto:info@elitescreens.com)  
[www.elitescreens.com](http://www.elitescreens.com)

## Europe:

### Elite Screens Europe

Lübecker Straße 1  
22087 Hamburg, Germany  
Tel: +49-4030392494  
Fax: +49-40-49219200  
[info@elitescreens.eu](mailto:info@elitescreens.eu)  
[www.elitescreens.eu](http://www.elitescreens.eu)

## Asia:

### Elite Screens China Corp.

Longxi Duimianling Industry Zone  
Longcheng Longgang District,  
ShenZhen GuangDong, China  
Tel: +86-(0)755-8461-7989  
Fax: +86-(0)755-8461-7669  
[info@elitescreens.com.cn](mailto:info@elitescreens.com.cn)  
[www.elitescreens.com.cn](http://www.elitescreens.com.cn)

## Elite Screens France S.A.S

11, Allée William Penn  
92150 Surennes, France  
Tel: +33-1-45064735  
Fax: +33-1-45064735  
[info.fr@elitescreens.com](mailto:info.fr@elitescreens.com)  
[www.elitescreens.com/fr](http://www.elitescreens.com/fr)

## Taiwan:

### Elite Screens Taiwan Corp.

4F., No. 42-1 Wuguan Rd. Wugu Township Taipei  
County 248, Taiwan (Wugu Industrial Park)  
Taiwan (R.O.C)  
Tel: +886+2+8990-1999  
Fax: +886+2+8990+1366  
[info@elitescreens.com.tw](mailto:info@elitescreens.com.tw)  
[www.elitescreens.com.tw](http://www.elitescreens.com.tw)

## Japan:

### Elite Screens Japan Corp.

467-2-606 Tsuruma, Machida-shi,  
Tokyo, 194-0004 Japan  
Tel: 0120-07-0008  
Fax: +81(0)42-706-9130  
[info@elitescreens.jp](mailto:info@elitescreens.jp)  
[www.elitescreens.jp](http://www.elitescreens.jp)

## Latin America Contact:

[Info.la@elitescreens.com](mailto:Info.la@elitescreens.com)

## East Asia Contact:

[Info.ea@elitescreens.com](mailto:Info.ea@elitescreens.com)

## India Contact:

[Info.india@elitescreens.com](mailto:Info.india@elitescreens.com)