



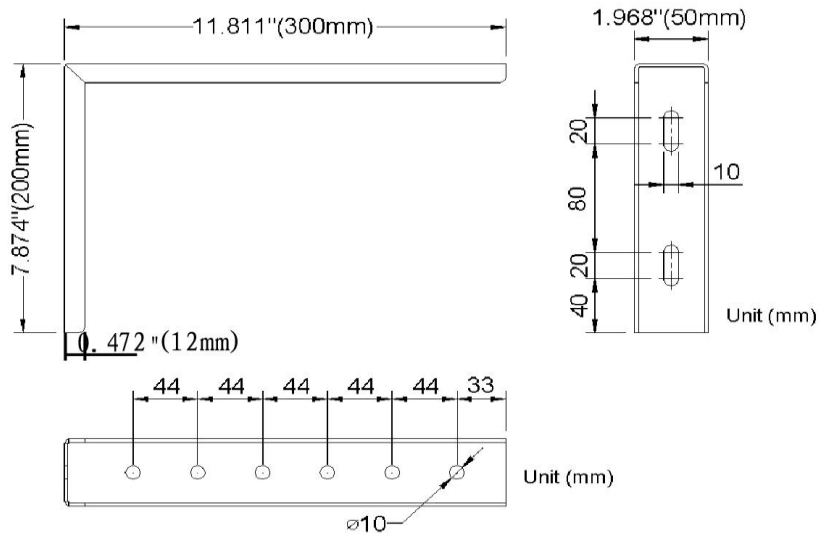
**Extension pair of L brackets for Home2 and CineTension2 series**

User Guide

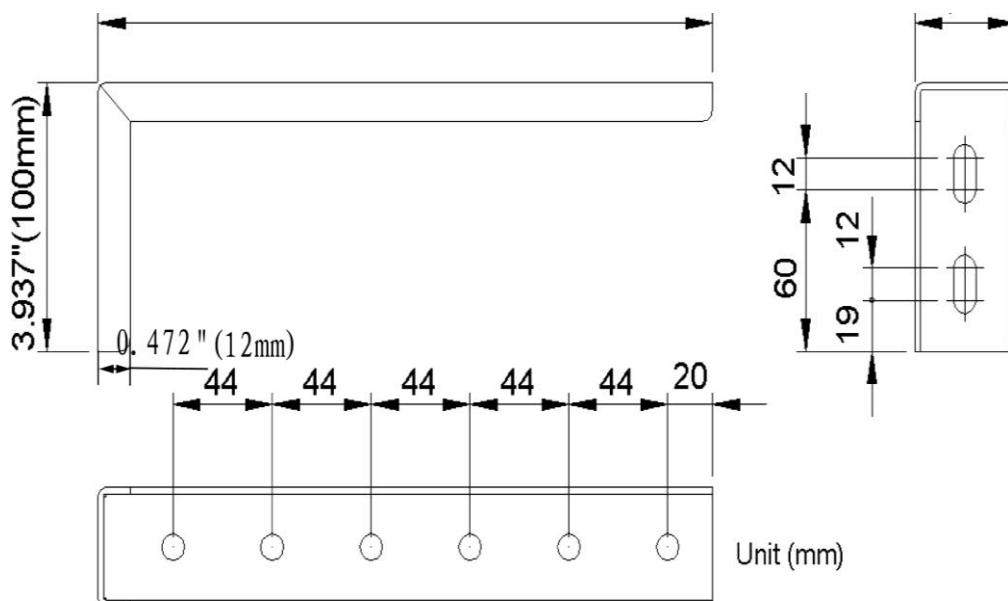
# **ZHOMELB11-4 and ZHOMELB12-8**

# Dimensions Chart and Drawings

Part Number	Dimensions
<b>ZHomeLB12-8</b>	50mm (1.96") W x 200mm (7.87") H x 300mm (11.81") L x 2.5mm T

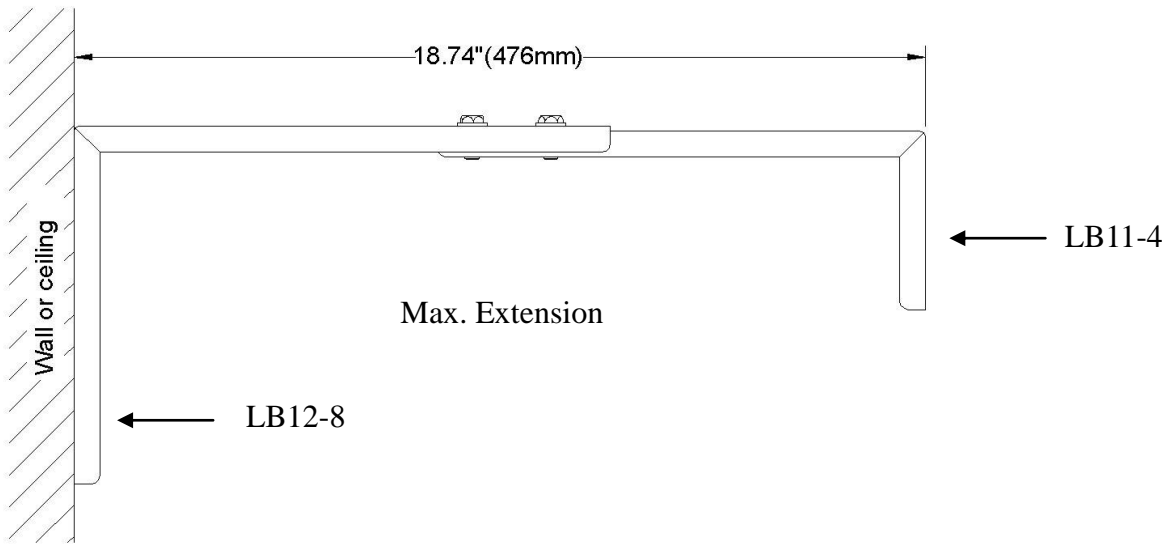


Part Number	Dimensions
<b>HomeLB11-4</b>	44.5mm (1.75") W x 100mm (3.93") H x 273.5mm (10.76") L x 2.5mm T

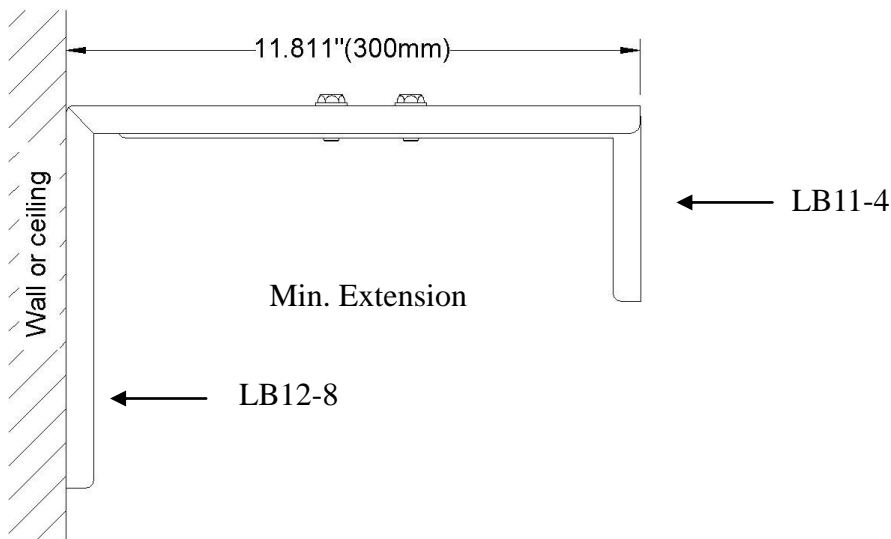


# 1. Combination examples **Maximum** and **Minimum** extension dimensions

Example A. (dimensions in mm, 10 mm = 0.3937 inch)

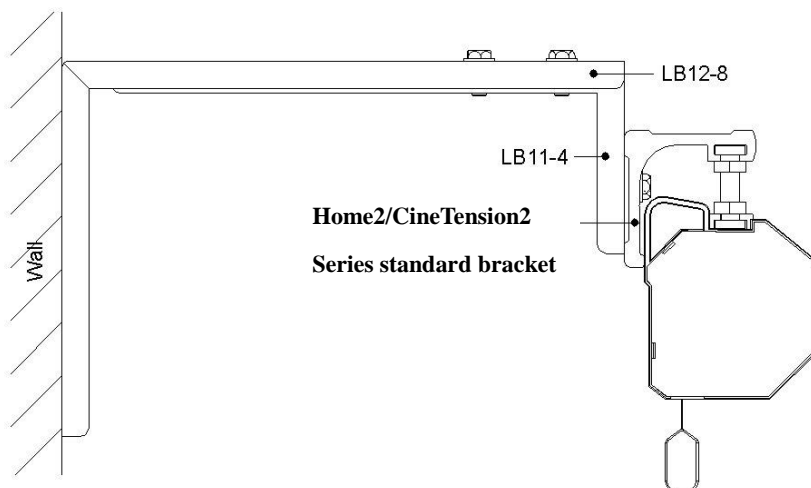


Example B. (dimensions in mm, 10mm=0.3937 inch)

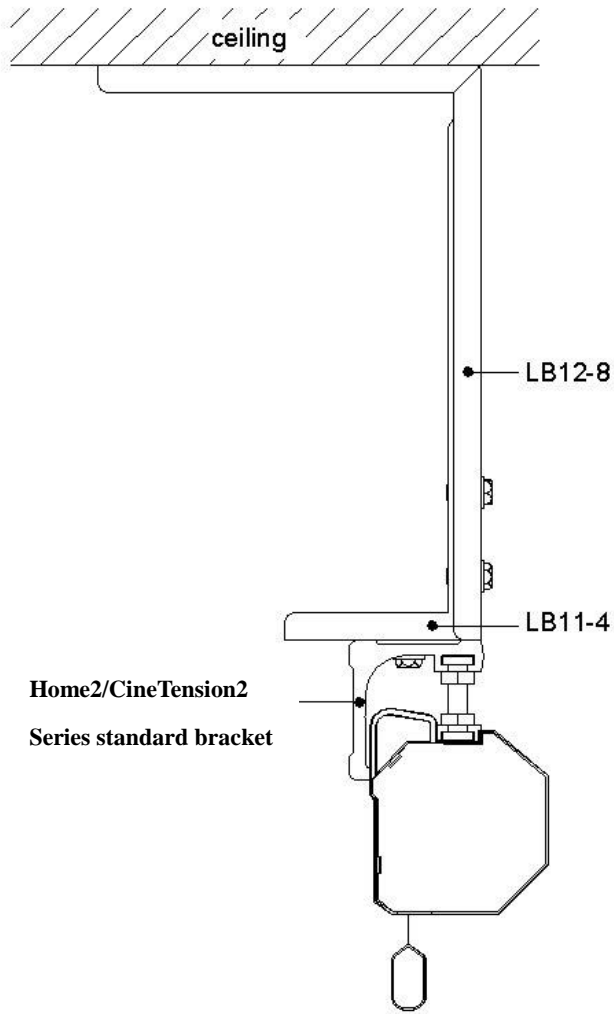


# 2. Combination examples with Home2/CineTension2

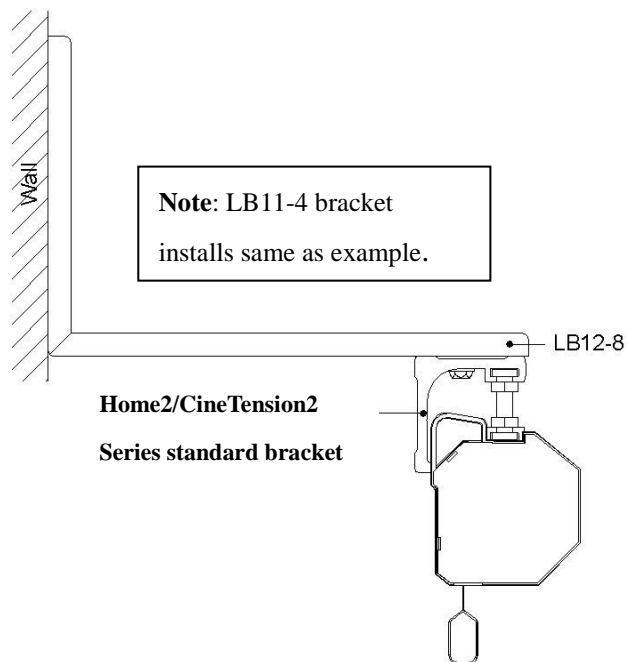
Example C.



Example D.



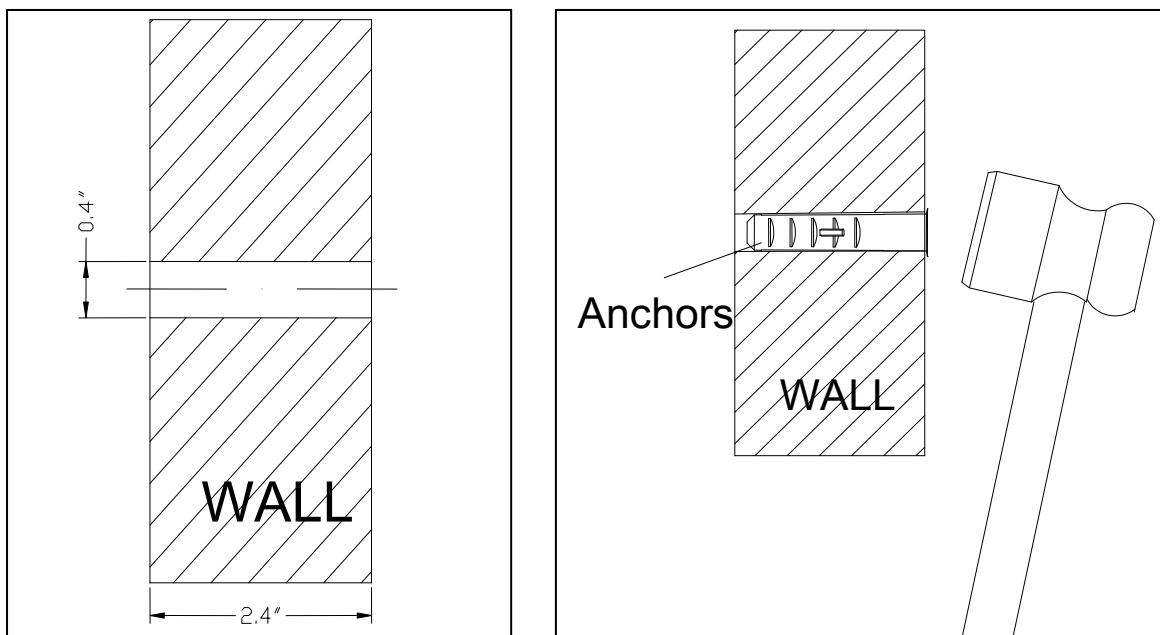
Example E.



## “L” bracket Installation:

1. Drill a Hole (use a 2/5 inch drill) in the desired location.
2. Insert anchor into the drilled wall.
3. Insert the wood screw thru the screw hole on the “L” bracket and into the anchor.
4. Screw in the wood screw to secure the installation

**Note: Do not install the L brackets on dry-wall. The L brackets should only be installed on wood studs.**



WALL THICKNESS – 2.4" TO 3"

