



# **CineTension B Series**

## [Tab-Tensioned Electric Projection Screen](#)

### User's Guide

#### **Important Safety & Warning Precautions**

**Make sure to read this user's guide and follow the procedures below.**

**Caution:** The screen's Black Top Drop is already set to its maximum drop distance. There is **NO** extra Black Top Drop in the roller. Please be aware of this as it will void your warranty with Elite Screens. Unapproved changes or modifications (except for cutting the power cord for hardwire installations) to this unit are prohibited and will void your warranty. For more information, please contact our Technical Support Dept. at [techsupport@elitescreens.com](mailto:techsupport@elitescreens.com)

- Please retain this user's guide for future reference.
- To avoid damaging the unit, do not use with any unauthorized accessories not recommended by the manufacturer.
- Handle the unit carefully during transportation to avoid any damages.
- To ensure safe and reliable operation, direct connection to a properly grounded power source is advised.
- The power outlet supplying power to the unit should be close to the unit and easily accessible.
- Do not install the unit on uneven or inclined surfaces.
- Do not put heavy objects on the power cord and position it properly to avoid creating a trip obstacle.
- Never overload the power cord to prevent an electric shock or fire due to a loose contact or a short circuit.
- There are not user serviceable parts in this unit. Do not attempt to disassemble this unit by yourself. No one except authorized technicians can open and make repairs to this unit.
- Make sure the power source this unit is connected to has a continuous power flow.
- If there is need to use an extension cord, make sure the cord has an equal rating as the appliance to avoid overheat.
- Do not handle the power plug when your hands are wet or your feet are in contact with water.

**Do not use this unit under the following circumstances.**

- Disconnect the power cord under the conditions of heavy rain, wind, thunder or lightning.
- Avoid direct Sunshine, rain shower and moisture.
- Keep away from fire sources and high temperature to prevent this device from overheating.
- Cut off the power supply first before transportation or maintenance.
- Fully disconnect from the power supply when the unit is not in use for a long period of time, as should be done with any other electric household appliance.
- To avoid possible injury and/or an electric shock, do not attempt to use the screen if there is obvious damage or if there are any evident broken parts.

## Pre-Installation

1. Carefully unpack the screen.
2. Always handle the screen in a leveled position on a clean surface.
3. In order to protect the screen from exposure to stains, keep the screen out of contact with foreign particles such as dust, sawdust, and/or liquids.

## Installation Warning

**Due to various installation environments, the instructions provided in this user's guide are for reference only. Please consult a professional installation company for further installation and safety advice. The installer must ensure that proper mounting hardware is used to provide adequate strength suitable for the installation. Elite Screens is not liable for any faulty installations.**

Individual modifications to this product are prohibited and will void the manufacturer warranty. Please contact Elite Screens Customer Service for any questions.

These limits are designed to provide reasonable protection against harmful interference in a residential installation. This equipment generates and can radiate radio frequency energy and, if not installed and used in accordance with the instructions, may cause harmful interference to radio communications.

However, there is no guarantee that the interference will not occur on a particular installation. If this equipment causes harmful interference to radio or television reception, which can be determined by turning the equipment off and on, the user is encouraged to try to correct the interference by one or more of the following measures.

- ✓ **Reorient or relocate the receiving antenna of the device that may be causing the interference.**
- ✓ **Increase the separation between the screen and the device's receiver.**
- ✓ **Connect the equipment into a different power outlet other than the device.**

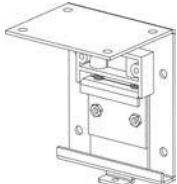
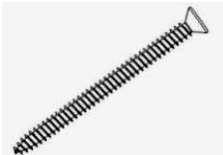
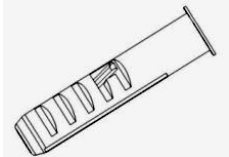
## Note

Regardless of the mounting method, the screen should be securely supported so that the vibration or pulling on the viewing surface will not cause the casing to become loose or fall. The installer must ensure that the fasteners used are of adequate strength and suitable for the installation location.

## Hardware Parts List

Please make sure all parts listed below are included before proceeding with the installation.

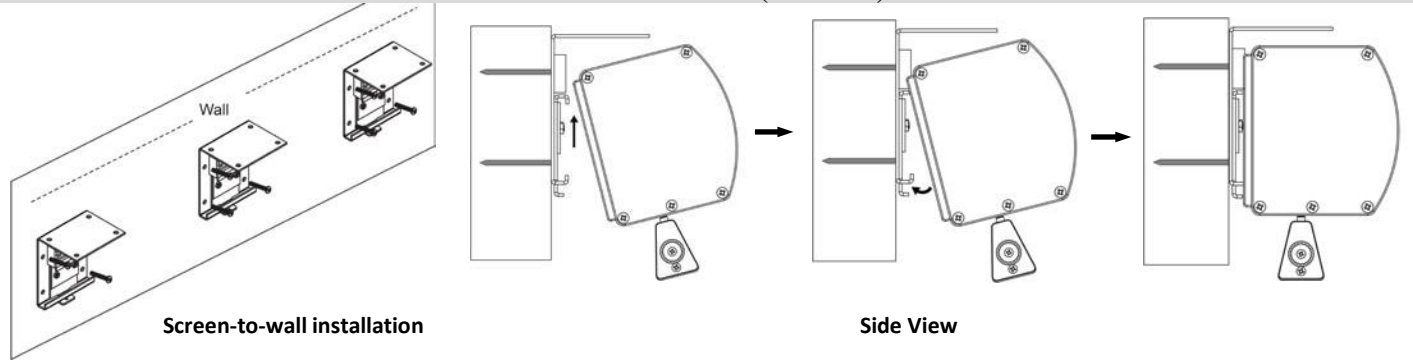
**Wall screws included with this product are complimentary and may not be adequate for all mounting surfaces. Consult with a professional installer or hardware store for proper mounting screws and anchors.**

<p><b>A. Wall/Ceiling Brackets x2 (x3 for 125" models and above)</b></p> 	<p><b>B. ST5x40 Self-drilling screws x8 (x12 for 125" models and above)</b></p> 	<p><b>C. Dry-wall anchor x8 (x12 for 125" models and above)</b></p> 
--	---	---

## Installation Instructions

### A. Wall Mount

#### Flush wall mount (slideable)



1. Determine where the screen will be installed. Measure and mark the distance between the top and bottom screw holes from each bracket. Then, drill a hole on all marked areas and install the brackets on the wall with the screws.

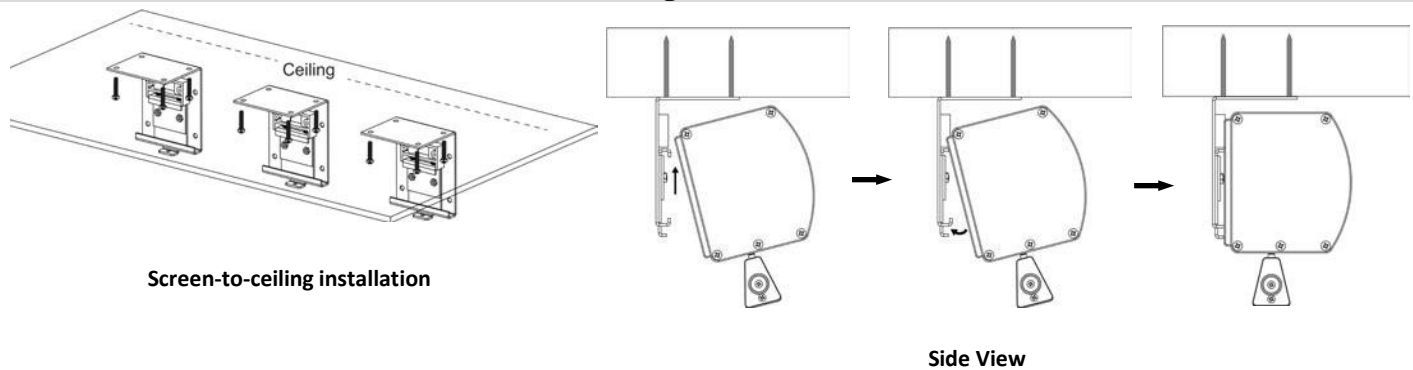
**Two or more people are required for the next step.**

2. Lift the screen up leveled with the brackets.

3. Slide the screen up in the bracket's "**upper lip**" and push it in to the "**bottom lip**" until you hear a "click" sound. This will confirm the screen is secure and in place.

### B. Ceiling Mount

#### Flush ceiling mount (slideable)



1. Determine where the screen will be installed. Measure and mark the distance between the top and bottom screw holes from each bracket. Then, drill a hole on all marked areas and install the brackets on the wall with the screws.

**Two or more people are required for the next step.**

2. Lift the screen up leveled with the brackets.

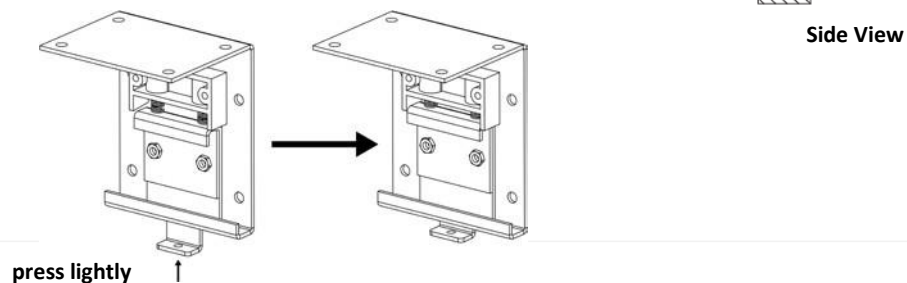
3. Slide the screen up in the bracket's "**upper lip**" and push it in to the "**bottom lip**" until you hear a "click" sound. This will confirm the screen is secure and in place.

### C. Hidden Mount

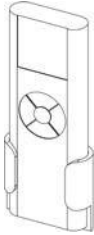
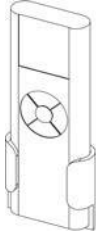



Refer to the installation procedures for wall mount and/or ceiling mount for instructions.

### D. Screen Removal

Hold the screen's case and push the bottom tab on the bottom of the bracket, then lift the screen.



## Standard Accesories for CineTension B Series

A. IR Remote	B. RF Remote	C. Wall keypad switch	D. 12 Volt Trigger Cable	E. AAA batteries
				

### Screen operation

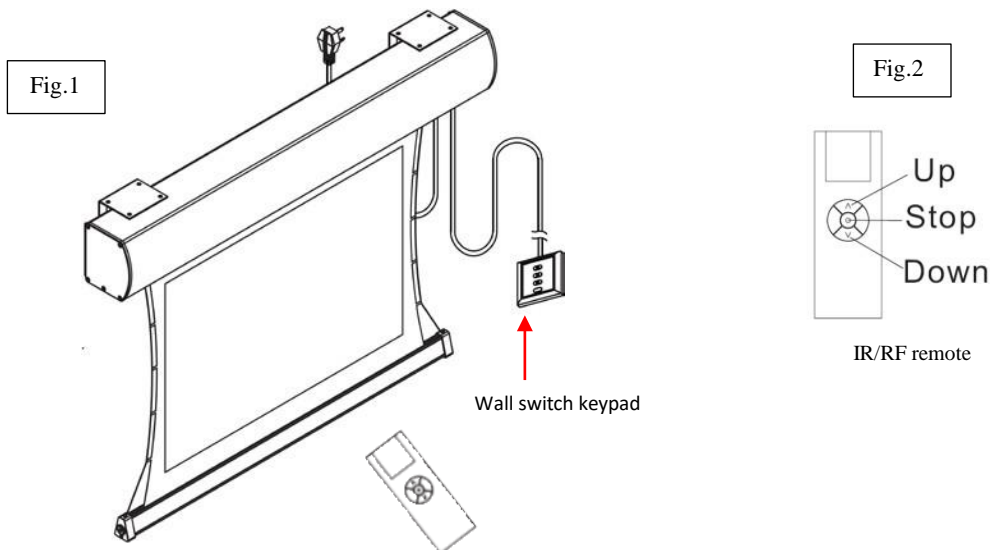
**Electric Current:** Depending upon region, your Elite Screen will operate on 100v, 110v, or 220v voltage. Choose the voltage according to the local requirement.

1. After ensuring the power outlet & screen is compatible (voltage), plug the power cord into the power outlet.
2. Once the screen has power, you'll be able to control it using any of the 5 methods described below.

### Control System

#### 3 ways to control your CineTension B

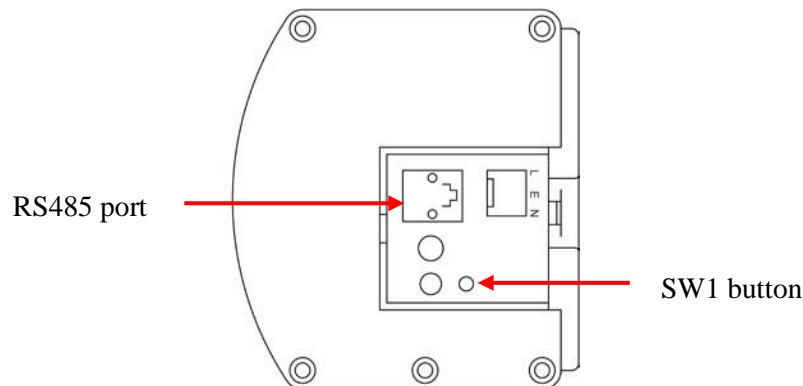
1. **Wall Switch Keypad (Item C, Fig 1):** The wall switch keypad is a wall mount control box with up/stop/down buttons. It plugs directly into the screen's RS-285 input port located next to the power cord.
2. **IR remote control (Item A, Fig 2):** The Infrared functions by direct line of sight contact with a beam range of 30 feet. Aim the IR remote at the oval shaped window located on the *wall switch keypad*, below the down button.
3. **RF Remote Control (Item B):** The radio waves eliminate the need for a direct line of sight with a range of 100 feet. *See How to program your RF remote on next section if your RF remote does not operate the screen.*



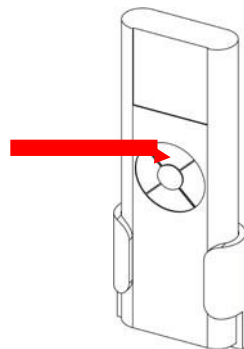
**NOTE: To avoid overheating, the tubular motor will shut off after 5 minutes of continuous use of the screen (non-stop lowering and retracting of the screen.) You may resume regular use after 15 minutes.**

## How to program your RF remote to your screen

1. Remove the cover located on the right side of the screen.
2. With a thin, sharp object, **press** the internal **SW1 button**.
  - a. You will hear a single "beep" once button is detected



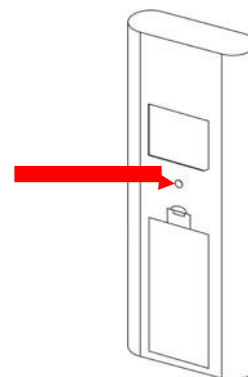
3. Let the screen drop completely using the IR remote or the manual keypad switch
4. Press and hold the internal **SW1 button** for 5 seconds.
  - a. You will hear continuous "beeping"
5. During the continuous beeping, press and hold the **UP** button on the RF remote for 3 seconds



6. You should now be able to control your screen with your RF remote.

## How to deprogram the IR/RF remote

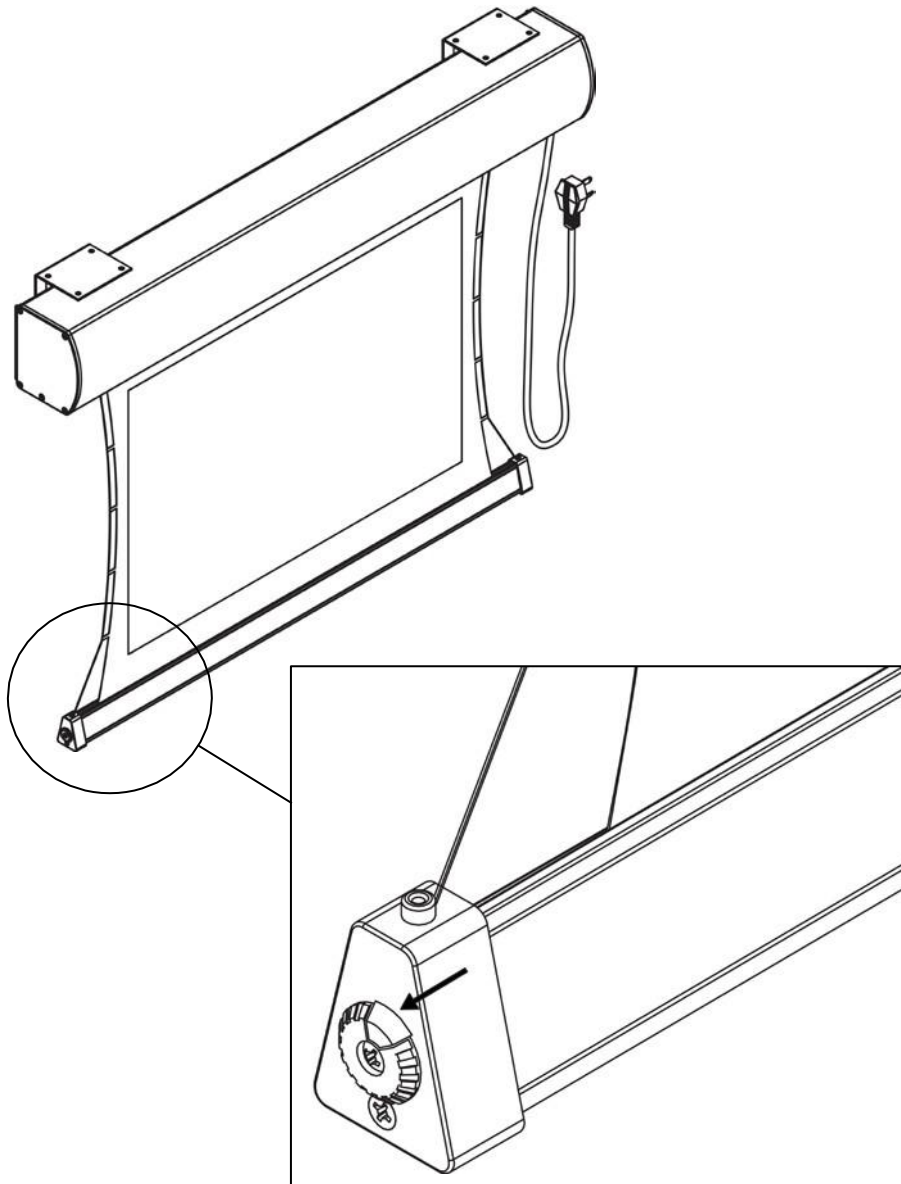
1. Press and hold internal **SW1 button**
  - a. You will hear continuous "beeping"
2. During the continuous beeping, press the button on back of remote with a thin, sharp object.
3. Release both buttons after a set of quick beeps.
4. Your remote has now been erased from the screen's memory.



## How to tension your screen

The tension has been properly preset for optimal performance. However, if the screen requires tension adjustment, please be careful as the tension system can become permanently damaged if not done correctly. Permanent damage to the tension system is not covered under warranty.

1. Fully deploy the screen.
2. At either end of the weight bar, press and hold button on knob.



3. Turn knob clockwise to tighten, counter clockwise to loosen.
  - a. Knob will only allow to tighten/loosen one notch at a time.
4. Repeat process on other side if necessary.

**For a local Elite Screens contact or Technical Support, please visit [www.elitescreens.com](http://www.elitescreens.com)**