

KESTREL TAB-TENSION SERIES

Section 1: Screen Design

1.1 What is it for?

The ***Kestrel Tab-Tension*** electric floor-rising screen is designed for environments where wall/ceiling installations are impractical. It has a stylish black finish and comes fully assembled.

1.2 How does it work?

It uses a cross-rising apparatus driven by a tubular motor with superior weight tolerance and variable height settings. It uses a tab-tensioned ***CineWhite***® 1.1 gain projection material with RF remote control package.

Section 2: Product Features

2.1 Characteristics

Screen Material

- CineWhite® screen material provides perfectly flat tensioned uniformity
- 180° wide viewing angle
- Active 3D, 4K Ultra HD, and HDR ready
- Standard 4-side black masking borders
- Available in the following diagonal sizes:
 - 80", 84" and 92" in 4:3 format
 - 80" and 84" in 16:9 format
 - 85" in 2.35:1 format

Design and Control System

- Rises and lowers by our motorized precision "scissor-backed" cross spring risers
- Built-in Infrared and Radio Frequency receivers
- Standard Radio Frequency (RF) remote control
- Wireless 5-12 volt (model ZSP-TR02) projector trigger
- Built-in 5-12 volt trigger port (RJ-45) enables Drop/Rise operation to synchronize with the projector's power cycle
- Optional Infrared (IR) remote control and Low-voltage detachable 3-way wall switch for in-line control - **sold separately**
- Optional in-wall switch - **sold separately**

Quality and Reliability

- Tubular motor allows swift operation with a superior weight tolerance and operational lifespan
- 2-year Parts & Labor manufacturer's warranty
- 3-year warranty offered through ENR-G program (Education, Non-Profit, Religious and Government)

2.2 Model Numbers

Model Number	Diag. Size	Aspect Ratio	View Height (in)	View Width (in)	Screen Material	Gain	Case Color	Net Weight (lbs)	Gross Weight (lbs)	Packaging Dimensions (LxHxW)
FTE80V	80"	4:3	48.0	64.0	CineWhite®	1.1	Black	53.4	68.2	80.0"x9.1"x12.2"
FTE84V	84"	4:3	50.4	67.2	CineWhite®	1.1	Black	54.5	69.7	85.8"x9.1"x12.2"
FTE92V	92"	4:3	55.2	73.6	CineWhite®	1.1	Black	58.7	74.5	94.0"x9.1"x12.2"
FTE80H	80"	16:9	39.2	69.7	CineWhite®	1.1	Black	55.0	70.3	85.8"x9.1"x12.2"
FTE85C	85"	2.35:1	39.2	69.7	CineWhite®	1.1	Black	60.5	71.2	93.2"x9.1"x12.2"

Section 3: Product Features

3.1 Characteristics

CineWhite® (Tension Matte White) has broad light dispersion through diffusion uniformity, black & white contrast and true color rendition making it the most versatile in Elite's tensions screen product lines. This tension PVC surface is the best choice for today's high-contrast ratio projectors in commercial or residential presentations. The **CineWhite®** material equals the performance to our MaxWhite® product,



but improves the experience with the superior surface flatness. Uniform diffusion surface has black-backing to eliminate light penetration and is easily washable with mild soap and water.

Features & Benefits

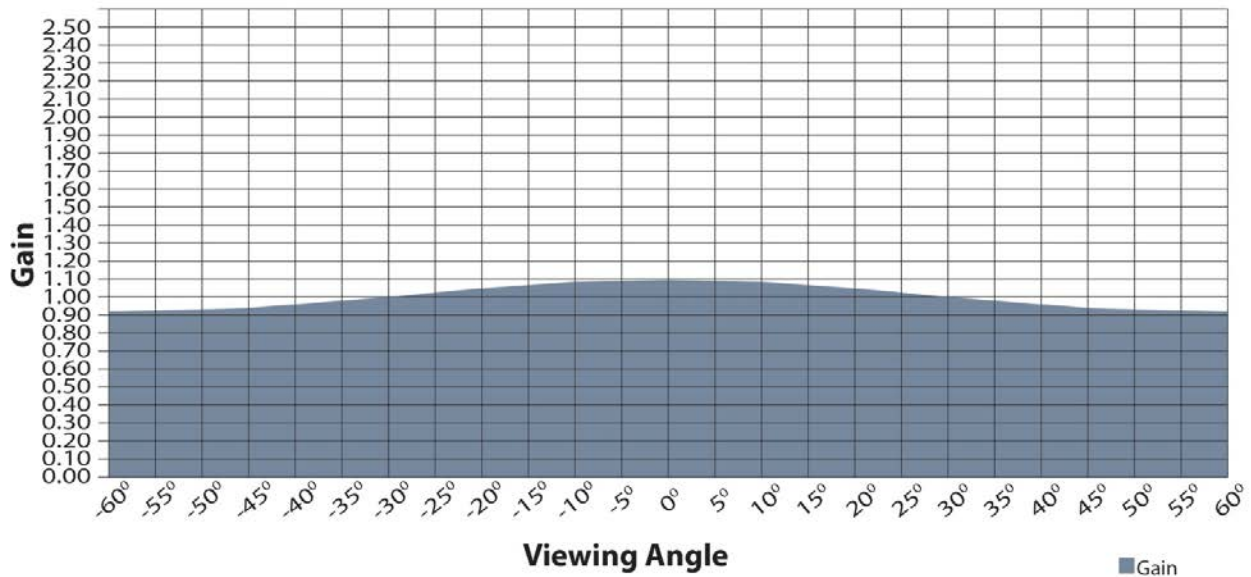
- Multi-layer PVC (Polyvinyl chloride) with texture and surface coating
- 1.1 Gain produces exceptional picture quality for any presentation
- View Angle: 180° (90° ±LR)
- Full Lambertian Diffuser- no half gain drop
- Mildew Resistant
- Active 3D and 4K Ultra HD ready
- Surface can be cleaned with (water) moist cotton cloth

Specifications	
Thickness	0.27 mm
Weight	350 g/m ²
Maximum Height	3.2 M (10 ft)
On-axis Gain	1.1
Half-Gain Angle	Does not reach half gain

3.2 Gain Chart



On axis 0° Gain: 1.1
Viewing Cone: 180°



Section 4: Execution

4.1 Important Safety Notes

1. Please read this manual before use and follow the procedures specified:
 - a. Please retain this manual for future reference.
 - b. To avoid any damages to the screen, do not use any accessories or parts not recommended by Elite Screens.
 - c. Handle the device carefully during transportation.
 - d. Do not set up screen on uneven surfaces.
 - e. To prevent electrical shock or fire; never over load the power cord, and avoid contacting the motorized components with liquids or foreign objects.

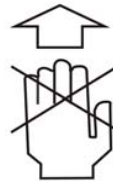
2. **The tubular motor equipped in the electric screen Kestrel Tension models feature an overheat protection sensor. If the screen is consecutively brought up and down between 3-4 minutes, the motor will automatically shut-off to prevent the motor from sustaining damage through overheating. If the automatic shutoff is activated, please allow 30 minutes cool down time before resuming operation.**

3. **The Kestrel Tension Series Screen is equipped with a strong tension cross-spring system. Please do not attempt any unnecessary repairs. It is at your own risk to open the inside cover or dismantle/work on the screen. Individual modifications to this product are prohibited and will void the user's warranty.**

4. **When using the screen, please**
 - a. Avoid strong wind, rain, or electrical storms.
 - b. No direct sunshine (UV Radiation) or moisture.
 - c. Keep away from fire sources and high temperature devices.
 - d. Turn off the power before moving or maintaining this product.



Keep away from children



Keep hands clear from the closing panels

NOTE:

- This equipment has been tested and found to comply with the limits for a **Class B** digital device pursuant to Part 15 of the FCC Guidelines.
- The products are designed to provide reasonable protection against harmful interference in a residential/commercial installation and end user application and may radiate radio frequency energy.
- However, there is no guarantee that interference will not occur in a particular installation. If this equipment does cause harmful interference to radio or television reception, which can be determined by turning the equipment off and on, the user is encouraged to try to correct the interference by one or more of the following measures:
 1. The power outlet should be close to the unit and easily accessible.
 2. Re-orient or relocate the receiving antenna.
 3. Increase the separation between the equipment and the receiver.
 4. Connect the equipment into an outlet on a circuit different from that to which the receiver is connected.
 5. Consult the dealer or an experienced radio/TV technician for additional help.

4.2 Standard Accessories



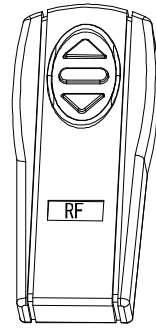
Qty 2
AAA Batteries



Qty 1
In-wall RJ45 module



Qty 1
Wireless 5-12V Trigger

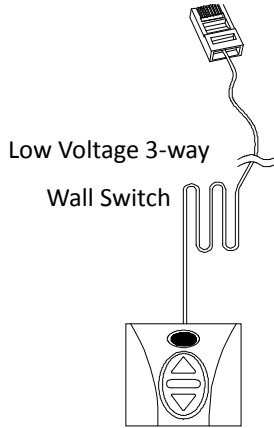


Qty 1
Radio Frequency
Remote Control

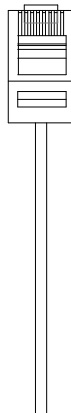
Part# ZSP-TR02

4.2.1 Optional Accessories

Available for purchase at www.shop.elitescreens.com or your preferred reseller



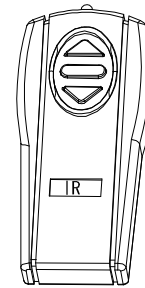
Low Voltage 3-way
Wall Switch



5-12V DC
Trigger



IR "eye"
Receiver



Infrared Remote
Control

4.3 Screen Operation

Setup: Remove the controls and wiring from the compartment on the left side of the Kestrel Home Floor Electric Screen as shown in the pictures below.



Connect the screen to the power supply and switch the power button on. Now it is ready for use.

Power:

ON

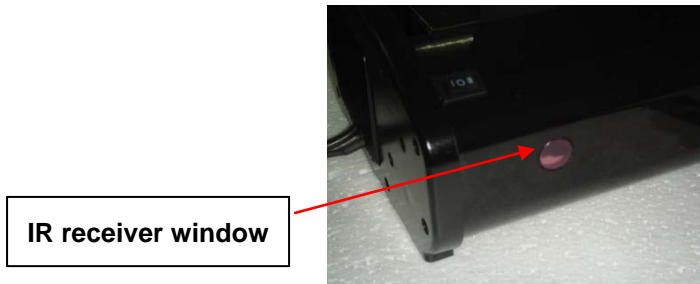
OFF



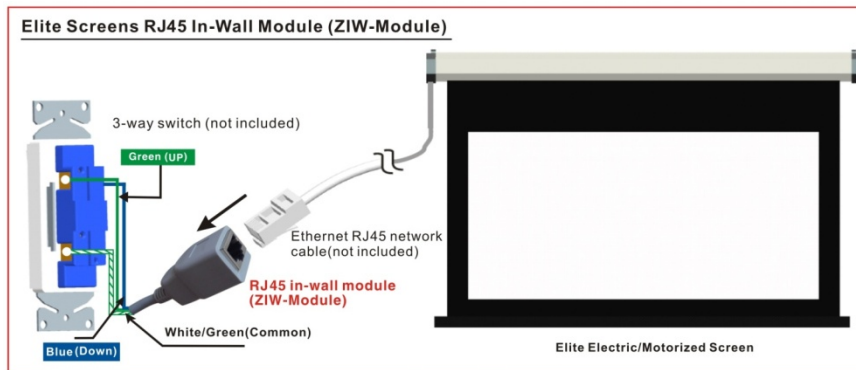
About the Control System:

1. **Wireless 5-12V Trigger:** The ZSP-TR02 Wireless 5-12V trigger for your new Elite Kestrel allows your screen to synchronize its rise and drop with the projectors power cycle by connecting the output trigger, which is typically located on the back of most projectors, and the RF remote control via the ZSP-TR02 cable. The screen rises when the projector powers up and retracts when the projector powers down.

2. **RF (Radio Frequency) and Optional IR (Infrared) Remotes:** The Kestrel Tension Series screen includes both IR and RF receivers that enable the consumer to use either the RF or an optional IR remote control. The RF remote is best used when the screen is concealed or long distance control is required. The RF technology therefore more versatile as it does not require line of to operate the screen. The optional IR requires a direct line of sight through the screen’s IR receiver window.



3. **In-wall RJ-45 Module:** The RJ-45 module connects to a local wall switch for Up/Down control of your electric projection screen. Please follow the picture diagram below for instructions on how to connect this accessory.



Steps to attach Elite Screens Motorized Screen to your local wall switch

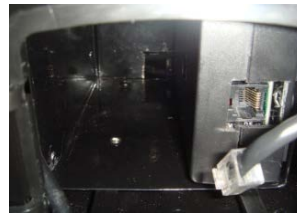
1. Attach Elite Screens in-wall switch module (Part #: ZIW-Module) to your local wall switch as shown in diagram above

2. Attach an RJ-45 Ethernet cable (not included) to the ZIW-Module and the other end to the RJ-45 input on your Elite electric screen
3. After testing the connection, place the in-wall switch module in/on the wall and wire the Ethernet cable into the wall and complete the setup.

Note: *Please be aware that Ethernet cables have length limitations so please make a test first before concealing the cable into the wall.*

Controlling the Optional accessories: Wired 5-12V trigger, Extended IR “eye” receiver or 3-way wall box switch-

1. **Wired 5-12V Trigger:** Connect the 5-12 volt trigger cable to your projector’s trigger output via a separate cable that may or may not be provided by the projector manufacture. The trigger feature will not work without an output cable from the projector, but it can be tested using a 9-volt battery by simply connecting the Red (+) and Green (-) cable to the 9-volt battery
2. **IR “Eye” Receiver:** The IR “eye” receiver cable provides an extension of the IR sensor should the IR receiver window on the Kestrel Tension’s screen is concealed.
3. **3-way wall switch box:** The 3-way wall switch box allows manual control to operate the screen’s UP/STOP/DOWN commands.
4. **The RJ-45 input jack is located on the left side compartment which accepts the 5-12V trigger, extended IR “eye” receiver or the 3-way wall switch box.**

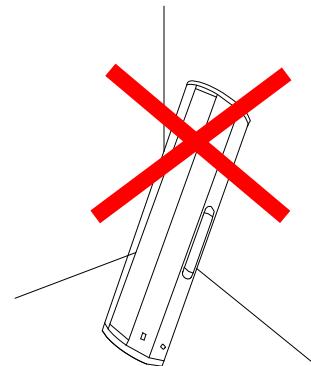


4.4 Screen Maintenance

Storing the screen: Always store the screen flat horizontally. Never store the screen in a vertical position.

Screen Maintenance

1. Always close the screen when not in use
2. Do not touch the screen surface
3. Keep away from direct sun and high/low temperatures
4. For indoor use only
5. Clean with soft water
6. Do not drop/close screen consecutively for more than 3 minutes. This is to avoid overload protection shut-off. If automatic shut-off occurs, please wait for 20-30 minutes to try again.

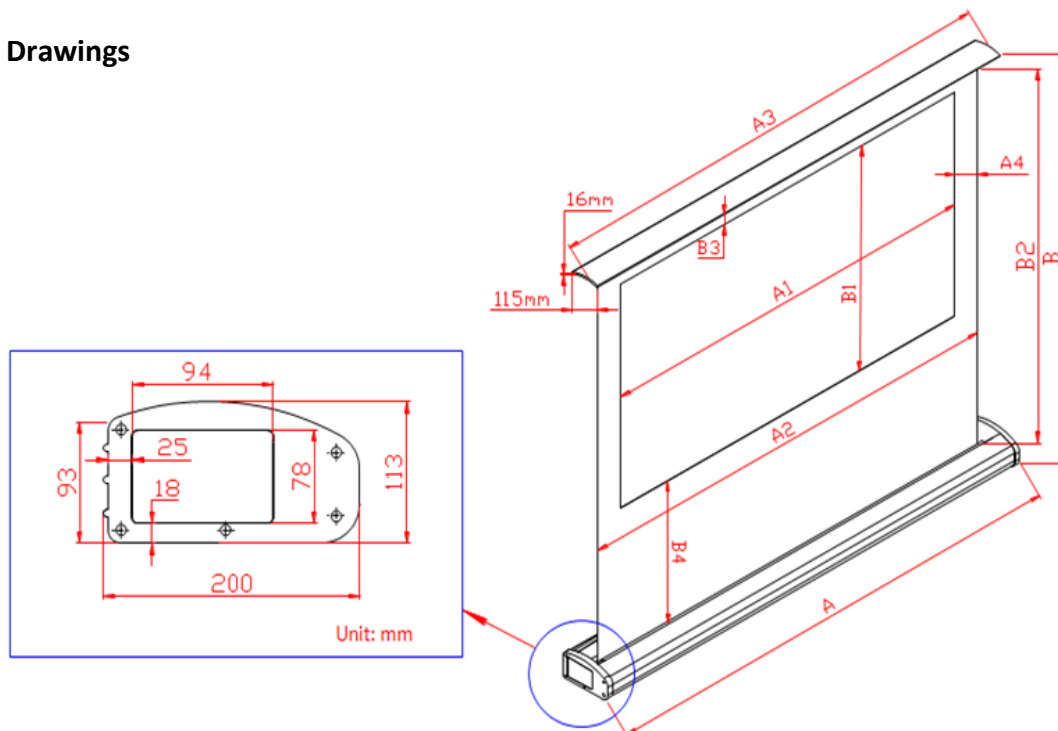


Section 5: Product Specifications

5.1 Dimensions

Model	Diag. Size	Aspect Ratio	Case Length (A)	View Width (A1)	Screen Width (A2)	Top Panel Length (A3)	L/R Black Border (A4)	Screen Height (B)	View Height (B1)	Screen Height (B2)	Top Black Border (B3)	Bottom Black Border (B4)
Unit: Inches												
FTE80V	80"	4:3	76.4	64.0	71.1	75.1	3.5	80.4	48.0	76.0	3.0	25.0
FTE84V	84"	4:3	79.6	67.2	74.3	78.3	3.5	81.9	50.4	77.4	3.0	24.0
FTE92V	92"	4:3	85.6	73.6	80.7	84.3	3.5	82.6	55.2	78.2	3.0	20.0
FTE80H	80"	16:9	82.1	69.7	76.8	80.9	3.5	80.7	39.2	76.2	3.0	34.0
FTE85C	85"	2.35:1	82.1	69.7	76.8	80.9	3.5	80.7	39.2	76.3	3.0	40.0
Unit: mm												
FTE80V	80"	4:3	1940	1626	1806	1908	90	2043	1219	1930	76	635
FTE84V	84"	4:3	2021	1707	1887	1989	90	2079	1280	1966	76	610
FTE92V	92"	4:3	2174	1869	2049	2142	90	2099	1402	1986	76	508
FTE80H	80"	16:9	2086	1771	1951	2054	90	2049	996	1936	76	864
FTE85C	85"	2.35:1	2086	1771	1951	2054	90	2050	996	1937	76	1016

5.2 Drawings



PRODUCT WHITE PAPER

<http://www.elitescreens.com>



5.3 Pictures

Kestrel Tab-Tension Series Front and Back View



Housing



Housing Detail



Housing and Tab-Tension Detail



Section 6: About Elite Screens

6.1 Company Description

Elite Screens Inc. is a California based company that specializes in making quality commercial and home-theater projection screens for the retail and custom install sales channels. Our company began as an innovative venture into the projection market by manufacturing veterans from the AV/IT industry. Elite Screens quickly established itself as an entry level commercial and home theater screen manufacturer. This was accomplished by making a quality product cost effective with a focus on mass-producing screen material, sizes and aspect ratios that were most commonly preferred by AV customers in general. We focused on uniformity with what would match the mainstream demographic while including extra features that are not usually included by other manufacturers. In time, we progressed from just retail sales into the realm of custom installer/integrator manufacture as our numerous reviews and awards will attest. We stand behind our product and are so certain of customer satisfaction with the quality of our product that we offer a 2-year manufacturer's warranty which is twice the industry standard.

In our continued devotion to excellence in products and service, we are committed to implementing green practices with our production. We have adopted manufacturing methods that promote conservative regulation of our energy needs. Our simple product designs combined with the expertise of our permanent staff ensures that our entire line of products are made by experienced hands devoted to the high standards of today's audio-video consumer.

###