

SPECTRUM TAB-TENSION SERIES

Section 1: Screen Design

1.1 What is it for?

The ***Spectrum Tab-Tension Series*** is part of Elite's "Spectrum" CE-Retail line of electric projection screens.

1.2 How does it work?

Its primary identifiable feature is the tab-tension reinforcements at the sides of the material which enhance superior flatness levels on the screen.

Section 2: Product Features

2.1 Characteristics

Screen Material

- MaxWhite®, 1.1 gain matte white material
- 180° wide viewing angle
- Not compatible with Ultra/Short-throw Projectors
- Black masking borders with black material backing
- 4K Ultra HD, Active 3D, and HDR Ready
- Available in the following diagonal sizes:
 - 100" and 125" in 16:9 format

Design and Installation

- Durable black casing for wall/ceiling installations
- Tab-tension system provides a uniform screen flatness
- Ships fully assembled with standard 3-prong power connection ready to plug and play
- Includes wood screws and drywall anchors
- Bubble level with wall screw kit
- Optional in-ceiling trim kit (Model ZCU3 for Electric100HT and ZCU4 for Electric125HT) - sold separately
- Optional 6" & 12" wall/ceiling brackets - sold separately

Control System

- Infrared (IR) remote control
- Detachable 3-way wall switch

PRODUCT WHITE PAPER

<http://www.elitescreens.com>



- Integrated 5-12 volt trigger port synchronizes Drop/Rise operation with the projector's power cycle
- 5-12 v trigger cable
- Low-voltage internal IR/RF receivers
- RJ45 input port allows easy integration with 3rd party control systems
- Optional RF remote & Wireless 5-12 volt trigger available - sold separately

Quality and Reliability

- Synchronous motor allows silent operation with low power consumption and extended operational longevity
- AMX and Crestron Certified
- Standard and Child/School indoor air quality cert.
- GREENGUARD® and GREENGUARD® Gold Certified
- 2-year warranty from defects in workmanship
- 3-year warranty offered through ENR-G program (Education, Non-profit, Religious, and Government/Military)

2.2 Model Numbers

Model Number	Diag. Size	Aspect Ratio	Viewing Height (in)	Viewing Width (in)	Screen Material	Gain	Case Color	N.W. (lbs)	G.W. (lbs)	Packaging Dimensions (LxWxH)
Electric100HT	100"	16:9	49.0	87.2	MaxWhite®	1.1	Black	31.3	35.8	106.5"x4.9"x5.3"
Electric125HT	125"	16:9	61.3	108.9	MaxWhite®	1.1	Black	32.0	39.1	133.2"x5.6"x5.8"

Section 3: Screen Material Specifications

3.1 Characteristics

MaxWhite® screen material is the most versatile screen surface for front projection presentations. This material provides the widest possible viewer angles with perfect diffusion uniformity while giving precise definition, image color reproduction and black & white contrast. Screen surface has black-backing to avoid light penetration and can be cleaned safely with mild soap and water. Woven screen material is a multi-layer, cross-array coated with a matte white reflective compound.



Features & Benefits

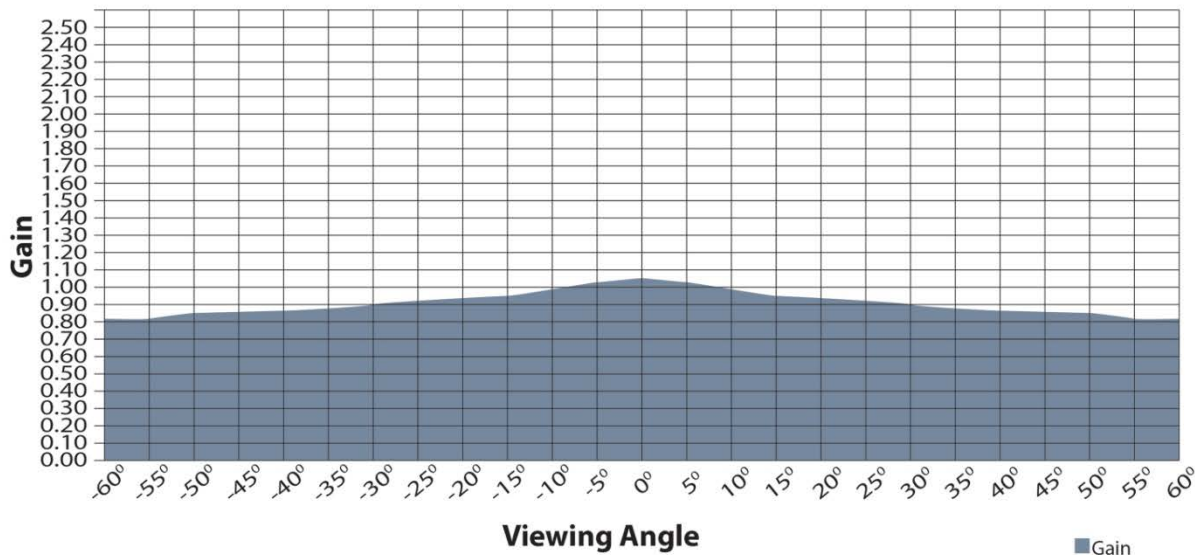
- Multi-layer weave and textured surface coating
- Gain: 1.1
- View Angle: 180° (90° ± LR)
- Not compatible with Ultra/Short-throw Projectors
- Mildew Resistant
- Black backing
- Active 3D and 4K Ultra HD ready
- Surface can be easily cleaned with mild soap and water
- GREENGUARD® and GREENGUARD® Gold Certified | UL 2818

Specifications	
Thickness	0.2 mm
Weight	350 g/m2
Maximum Height	3.2 M (10 ft)
On-axis Gain	1.1
Half-Gain Angle	Does not reach half gain

3.2 Gain Chart



**On axis 0° Gain: 1.1
Viewing Cone: 180°**



Section 4: Execution

4.1 Important Safety & Warning Precautions

- Please retain this user's guide for future reference.
- To avoid damaging the unit, do not use with any accessories/triggering sources not recommended or specified by the manufacturer.
- Handle the unit carefully during transportation to avoid any damages.
- To ensure safe and reliable operation, direct connection to a properly grounded power source is advised.
- The power outlet supplying power to the unit should be close to the unit and easily accessible.
- Do not install the unit on uneven or inclined surfaces.
- Do not hang any objects on the power cord and position the cord properly to avoid tripping over it.
- Never overload the power cord to prevent an electric shock or fire due to loose contact or short circuit.
- There are no user serviceable parts in this unit. Do not attempt to disassemble this unit by yourself. No one except authorized technicians can open the casing and make repairs to this unit.
- Make sure that the power source this unit is connected to has a continuous power flow.
- If there is need for use of an extension cord, make sure the cord has an equal rating as the electrical device to avoid overheat.
- Do not handle the power cord when your hands are wet or your feet are in contact with water.
- Unplug the power cord during extreme weather conditions such as heavy rain, gusty winds, thunder or lightning.
- Avoid direct Sunlight, moisture/rain to this unit.
- Do not mount near high temperature environments to prevent this device from overheating.
- Cut off the power supply first before transportation or maintenance.
- Fully disconnect from the power supply when the unit is not in use for a long period of time, as should be done with any other electrical household appliance.
- To avoid possible injury and/or an electric shock, do not attempt to use the screen if there is obvious damage or if there are any evident broken parts.

WARNING: The screen's deployment is already set from the factory to drop to its maximum distance. There is NO extra black masking on the roller to allow for a lower drop. Please be aware of this as making adjustments to the screen's limit motor will void your warranty if the motor becomes faulty. Unapproved changes or modifications (except for cutting the power cord for hardwire installations) to this unit are prohibited and will void your warranty. For more information, please contact our Technical Support Department at (877) 511-1211 Ext. 604.

NOTE: This equipment has been tested and found to comply with the limits for a Class B digital device, pursuant to Part 15 of the FCC Rules.

These limits are designed to provide reasonable protection against harmful interference in a residential installation. This equipment generates and can radiate radio frequency energy and, if not installed and used in accordance with the instructions, may cause harmful interference to radio communications.

However, there is no guarantee that the interference will not occur on a particular installation. If this equipment causes harmful interference to radio or television reception, which can be determined by turning the equipment off and on, the user is encouraged to try to correct the interference by one or more of the following measures.

- ✓ **Reorient or relocate the receiving antenna of the device which may be causing the interference.**
- ✓ **Increase the separation between the screen and the device's receiver.**
- ✓ **Connect the equipment into a different power outlet other than the device.**

4.2 Pre-Installation

1. Carefully unpack the screen.
2. Always handle the screen in a leveled position on a clean surface.
3. In order to protect the screen's viewing surface, do not allow contact with foreign objects such as dust, writing utensils, liquids, etc

NOTE:

Regardless of the mounting method, the screen should be securely supported so that the vibration or pulling on the viewing surface will not cause the casing to become loose from the wall and fall to the ground. The installer must ensure that the fasteners used are of adequate strength and suitable for the installation location.

4.3 Installation

A. Wall Mount (flushed):

1. Measure distance A (shown in Fig. 1) between the 2 holes on the backside of both end caps with a measuring tape. Mark and then drill the two screw holes on the wall.
2. Insert wall anchors into the two drilled holes on the wall and then insert the screws into the anchors leaving the screw head to stick out of the anchor by at least a 1/8" (see Fig. 2).
3. After hanging the screen on to the affixed screws, use the provided bubble leveler to ensure for a levelled installation (see Fig. 3).

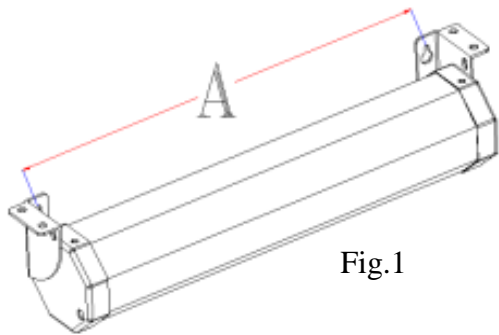
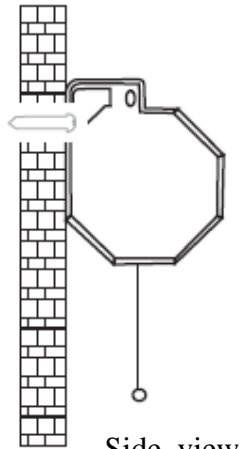


Fig.1

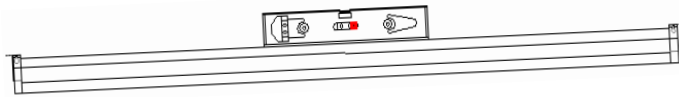
The screw head should be at least 1/8" away from the wall.



Side view

Fig. 2

a. If the bubble runs to the right side, the screen is not balanced.



b. If the bubble is in the center, the screen is balanced.

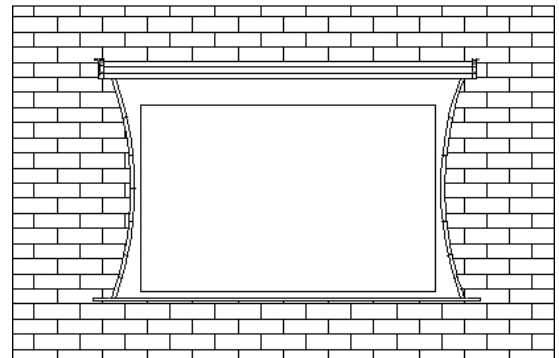
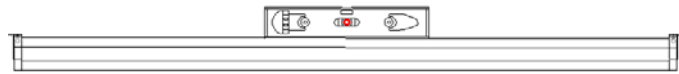


Fig.3

B. Ceiling Mount (flushed):

1. Measure distance B (shown in Fig. 4) between the holes on the top of both end caps with a measuring tape. Mark and then drill the four screw holes on the ceiling.
2. Insert wall anchors into the four drilled holes on the ceiling and then insert the screws through the end cap holes into the anchors and ensure that you tighten the screws without stripping the anchors (see Fig. 5).
3. After hanging the screen on to the affixed screws, use the provided bubble leveler to ensure for a levelled installation (see Fig. 6).

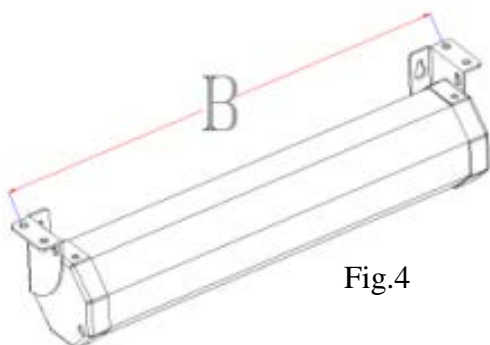


Fig.4

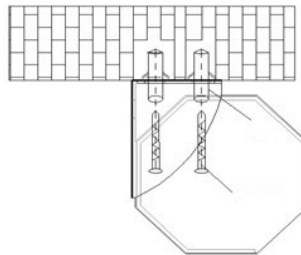


Fig.5

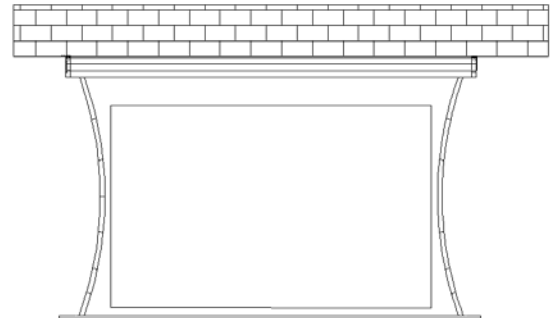
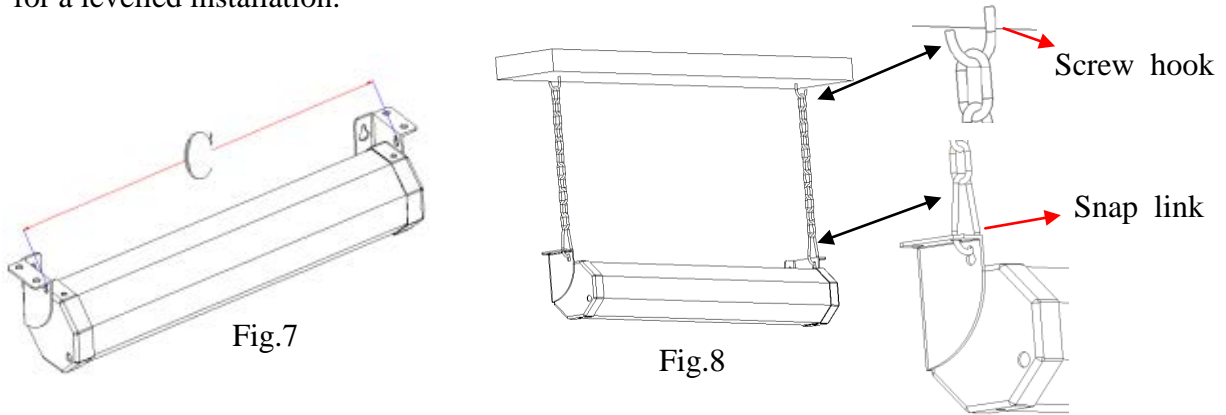


Fig.6

C. Ceiling Mount (suspended):

Hardware required (not included): screw hook, snap link, chain

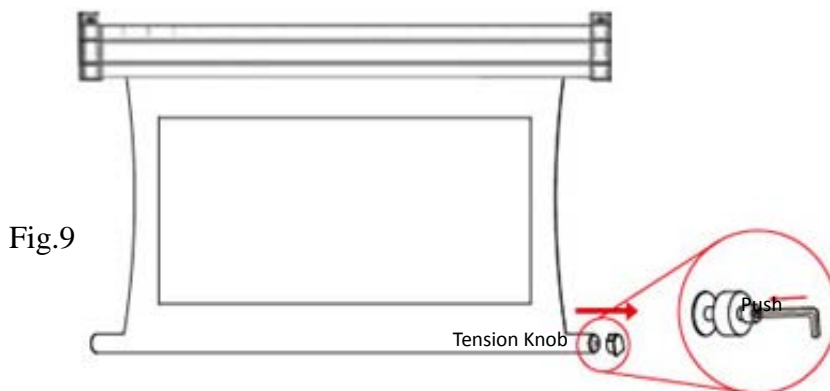
1. Measure distance C (shown in Fig. 7) between the holes on the top of both end caps with a measuring tape. Mark and then drill the screw holes on the ceiling.
2. Insert wall anchors into the drilled holes on the ceiling and then insert the screws through the chain's support into the anchors and ensure that you tighten the screws without stripping the anchors (see Fig. 8).
3. Attach the chains to the support that was screwed into the ceiling. Attach the end caps of the screen to the snap link that are at the bottom of the chains for sustainability (see Fig. 8).
4. After hanging the screen on to the affixed screws, use the provided bubble leveler to ensure for a levelled installation.



4.4 Screen Material Tension Adjustment

(4mm Allen Wrench required and not included)

Remove the weight bar end cap to expose the adjustment tension knob (see Fig. 9). Insert your 4mm Allen Wrench to push in the adjustment tension knob, turn clockwise and your screen will gain more tension. Turn the Allen Wrench counter clockwise and the screen will lose tension. Please note this adjustment is not necessary as the tension of the screen has been preset by the factory for best performance. Please contact Elite Screens for assistance to avoid damaging the screen and voiding your warranty at techsupport@elitescreens.com.

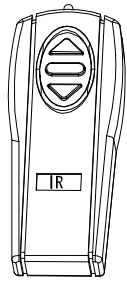


PRODUCT WHITE PAPER

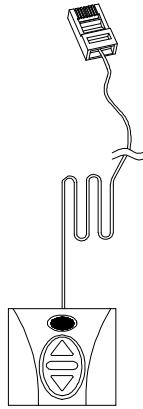
<http://www.elitescreens.com>



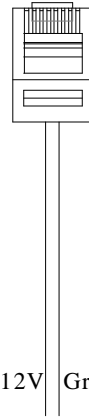
4.5 Accessories



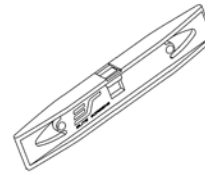
A. IR remote



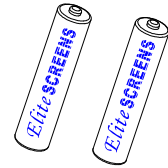
B. Wall box switch



Red 12V Green 0V
C. 5-12 volt trigger cable



D. Bubble leveler



E. 2 x AAA Batteries

4.6 Screen Operation

Electric Current: The screen operates on AC110V @ 60hz

1. Plug the screen's power cord into a power outlet.
2. Once the screen's has power, you'll be able to control it using any of the 3 methods described below.

1. 5-12V Trigger (Item C, Fig. 10): The built-in 5-12V trigger input allows your screen to synchronize its drop & rise with the projector's triggering output. The screen deploys when the projector powers up and will retract when the projector powers down. The 5-12 volt adaptor connects to your projector's trigger output via a separate cable that may or may not be provided by the manufacturer of the projector. The trigger feature will not work without an output cable from the projector, but it can be tested by connecting the Red (+) and Green (-) cable to a 9-volt battery.

2. 3-Way Wall Switch (Item B, Fig. 11): The 3-way wall switch is a wall mount control box with an up/stop/down button and plugs directly into the screen's RJ-45 input.

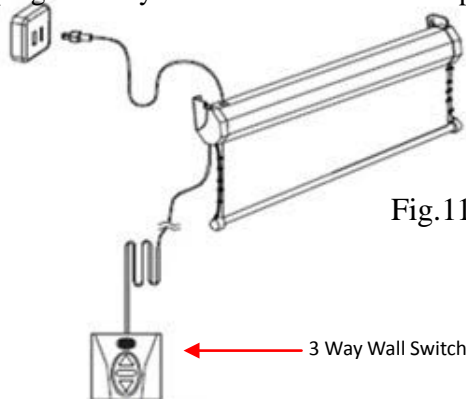
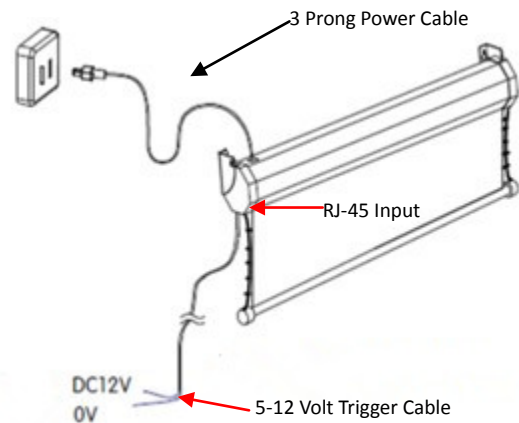


Fig.11



3. IR Remote Control (Item A, Fig. 12): The Infrared functions by direct line of sight contact with a beam range of 30 feet.

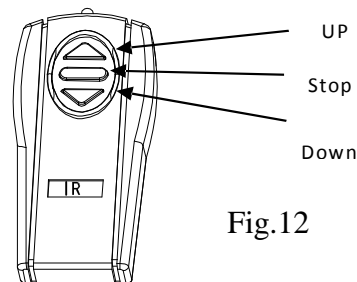


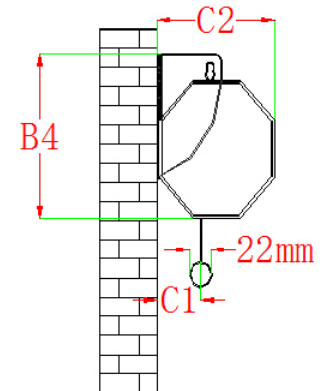
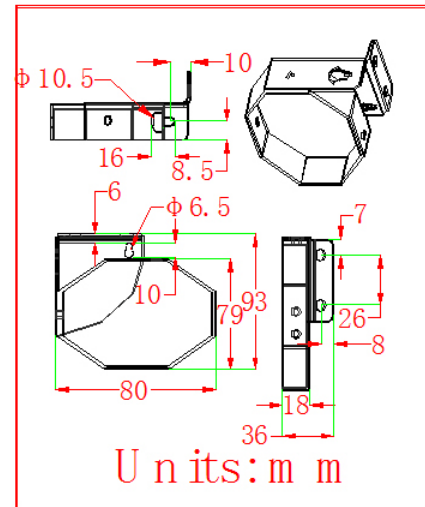
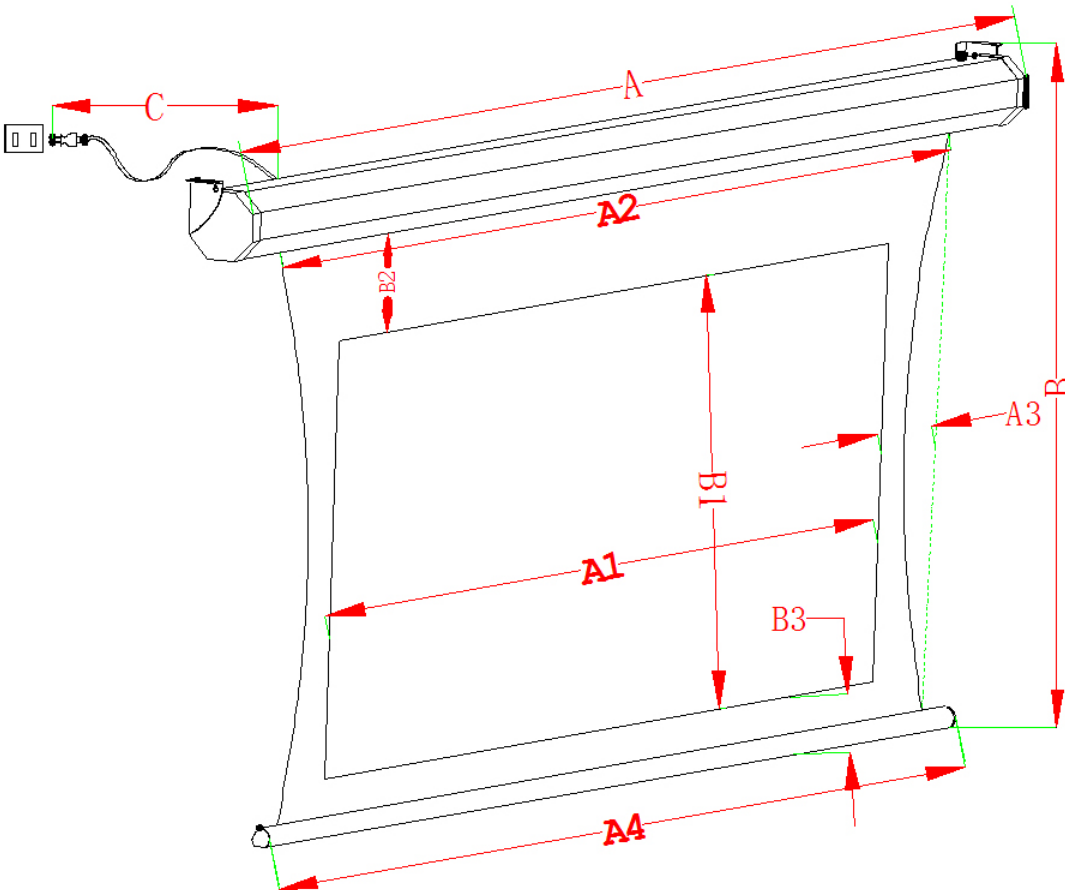
Fig.12

Section 5: Product Specifications

5.1 Dimensions

Model Number	Diag. Size	A	A1	A2	A3	A4	B	B1	B2	B3	B4	C	C1	C2
Unit: Inches														
Electric100HT	100"	104.4	87.2	94.3	3.5	98.2	62.4	49.0	6.0	3.7	3.7	70.9	0.7	3.1
Electric125HT	125"	126.1	108.9	116.0	3.5	120.0	74.7	61.3	6.0	3.7	3.7	70.9	0.7	3.1
Unit: mm														
Electric100HT	100"	2651	2214	2394	90	2494	1585	1245	152	95	93	1800	17	80
Electric125HT	125"	3204	2767	2947	90	3047	1897	1557	152	95	93	1800	17	80

5.2 Drawings



5.3 Pictures

Spectrum Tab-Tension Series with accessories



Weight Bar and Tensioning Detail



PRODUCT WHITE PAPER

<http://www.elitescreens.com>



Housing Detail



End Cap Detail



Life Style



Section 6: About Elite Screens

6.1 Company Description

Elite Screens Inc. is a California based company that specializes in making quality commercial and home-theater projection screens for the retail and custom install sales channels. Our company began as an innovative venture into the projection market by manufacturing veterans from the AV/IT industry. Elite Screens quickly established itself as an entry level commercial and home theater screen manufacturer. This was accomplished by making a quality product cost effective with a focus on mass-producing screen material, sizes and aspect ratios that were most commonly preferred by AV customers in general. We focused on uniformity with what would match the mainstream demographic while including extra features that are not usually included by other manufacturers. In time, we progressed from just retail sales into the realm of custom installer/integrator manufacture as our numerous reviews and awards will attest. We stand behind our product and are so certain of customer satisfaction with the quality of our product that we offer a 2-year manufacturer's warranty which is twice the industry standard. In our continued devotion to excellence in products and service, we are committed to implementing green practices with our production. We have adopted manufacturing methods that promote conservative regulation of our energy needs. Our simple product designs combined with the expertise of our permanent staff ensures that our entire line of products are made by experienced hands devoted to the high standards of today's audio-video consumer.

###