



Manual SRM Series

Section 1: Screen Design

1.1 What is it?

The **Manual SRM Series** front projection screen has a special built-in Slow Retract Mechanism to allow a safe and quiet return to the screen's housing.

1.2 How does it work?

The MaxWhite® 1.1 Gain Front Projection material is black-backed to eliminate light penetration for enhanced brightness. It also has black masking borders on all sides to mitigate projector overshoot while enhancing perceived visual contrast.

Section 2: Product Features

2.1 Characteristics

Screen Material

- MaxWhite® 1.1 Gain screen material is durable and easy to clean
- 180° wide viewing angle for commercial presentations or residential home cinema
- 4K Ultra HD, Active 3D, and HDR Ready
- Not compatible with Ultra/Short-throw Projectors
- Standard 4-side black masking borders
- Black backed screen material eliminates light penetration for superior color reproduction
- Available in the following diagonal sizes:
 - 85", 99", and 113" in 1:1 format
 - 84", 100" and 120" in 4:3 format
 - 100" and 120" in 16:9 format
 - 94" and 113" in 16:10 format

Design and Installation

- Dual wall and ceiling installation design
- Slow Retract Mechanism Manual Pull-down Screen - Retracts slowly back into housing after releasing handle without the need to hold on to handle

- Screen lanyard for easy operation included - allows screen's pull down handle to be reached from high areas
- Includes wood screws and drywall anchors
- Optional 6" and 12" L brackets available - sold separately

Quality and Reliability

- GREENGUARD® and GREENGUARD® Gold Certified (UL 2818) for safe indoor emissions
- 5-year manufacturer's warranty

2.2 Certifications



2.3 Model Numbers

Model Number	Nominal Diagonal	Aspect Ratio	Viewing Height (in)	Viewing Width (in)	Screen Material	Gain	Case Color	N.W. (lbs)	G.W. (lbs)	Packaging Dimensions (LxWxH)
M85XWS1-SRM	85"	1:1	60.1	60.1	MaxWhite®	1.1	White	12.7	15.2	70.2"x5.1"x5.5"
M99NWS1-SRM	99"	1:1	70.0	70.0	MaxWhite®	1.1	White	14.0	16.8	80.2"x5.5"x5.5"
M113NWS1-SRM	113"	1:1	79.9	79.9	MaxWhite®	1.1	White	17.3	20.7	90.2"x5.5"x5.7"
M84NWV-SRM	84"	4:3	50.4	67.2	MaxWhite®	1.1	White	13.2	16.1	77.4"x5.5"x5.5"
M100NWV1-SRM	100"	4:3	60.0	80.0	MaxWhite®	1.1	White	15.8	19.0	90.2"x5.3"x5.3"
M120XWV2-SRM	120"	4:3	72.0	96.0	MaxWhite®	1.1	White	20.5	24.3	106.3"x5.5"x5.9"
M100XWH2-SRM	100"	16:9	49.0	87.2	MaxWhite®	1.1	White	16.9	20.2	97.3"x5.3"x5.3"
M120XWH2-SRM	120"	16:9	58.8	104.6	MaxWhite®	1.1	White	23.5	30.0	117.5"x6.1"x6.3"
M94NWX-SRM	94"	16:10	49.8	79.7	MaxWhite®	1.1	White	14.8	17.7	90.2"x5.3"x5.5"
M113NWX-SRM	113"	16:10	59.9	95.8	MaxWhite®	1.1	White	21.5	25.1	106.1"x5.5"x5.7"

Section 3: Screen Material Specifications

3.1 Characteristics

MaxWhite® screen material is the most versatile screen surface for front projection presentations. This material provides the widest possible viewer angles with perfect diffusion uniformity while giving precise definition, image color reproduction and black & white contrast. Screen surface has black-backing to avoid light penetration and



can be cleaned safely with mild soap and water. Woven screen material is a multi-layer, cross-array coated with a matte white reflective compound.

Features & Benefits

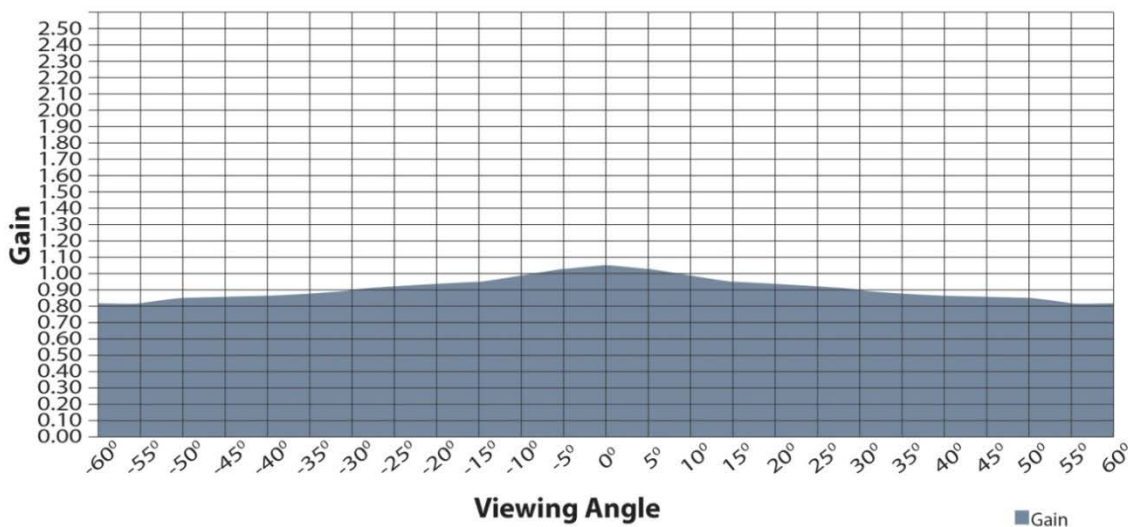
- Multi-layer weave and textured surface coating
- Gain: 1.1
- View Angle: 180° (90° ± LR)
- Not compatible with Ultra/Short-throw Projectors
- Mildew Resistant
- Black backing
- Active 3D, 4K Ultra HD, and HDR ready
- Surface can be easily cleaned with mild soap and water
- GREENGUARD® and GREENGUARD® Gold Certified | UL 2818

Specifications	
Thickness	0.41 mm (0.016")
Weight	530 g/m ²
Maximum Height	3.2 M (10 ft)
On-axis Gain	1.1
Half-Gain Angle	Does not reach half gain

3.2 Gain and Viewing Angle



On axis 0° Gain: 1.1
Viewing Cone: 180°



Section 4: Execution

4.1 Pre-Installation

1. Carefully unpack the screen.
2. Always handle the screen in a leveled position on a clean surface.

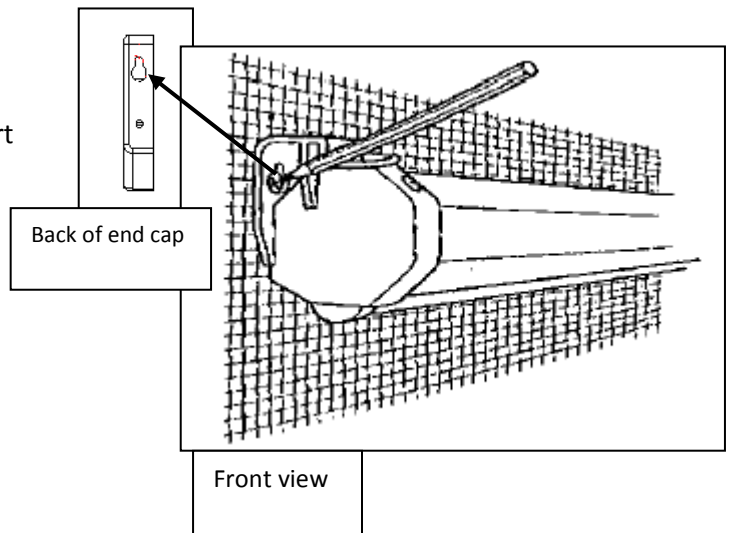
NOTE:

Regardless of mounting method, the screen should be securely supported so that vibration or even abusive pulling on the viewing surface will not cause the case to work loose or fall. The installer must insure that the fasteners used are of adequate strength and suitable for the mounting surface chosen.

4.2 Installation

Flush Wall Mounting

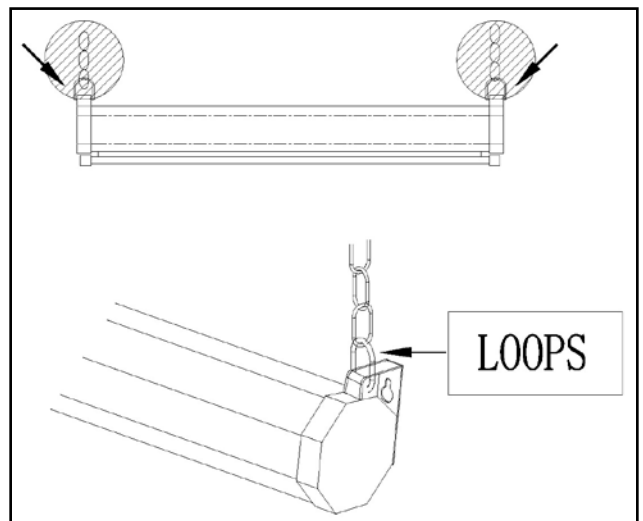
1. Mark the location of where the screen is to be installed for the pre-drilled hole.
2. After marking the area and drilling the hole, insert the proper screw into the drilled hole and leave about 1/8" of an inch from the wall to mount the screen.
3. Mount your screen from the keyhole located on back of screen's left and right end cap.



**Ceiling Mounting
(additional hardware required)**

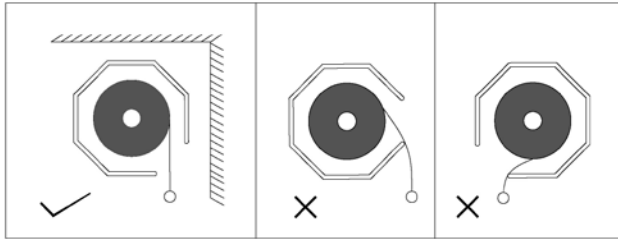
Optional installation using a chain to hang the screen from the ceiling.

1. You can also hang the screen on a ceiling by using a chain (not included) and hang it by the two loops located on each end of the case.



4.3 Screen Operation

*Note: **Always** pull the screen down or let it up in a 90-degree vertical angle. Do not allow the screen to touch the screen case when the screen goes up or comes down to avoid damaging the screen material.*



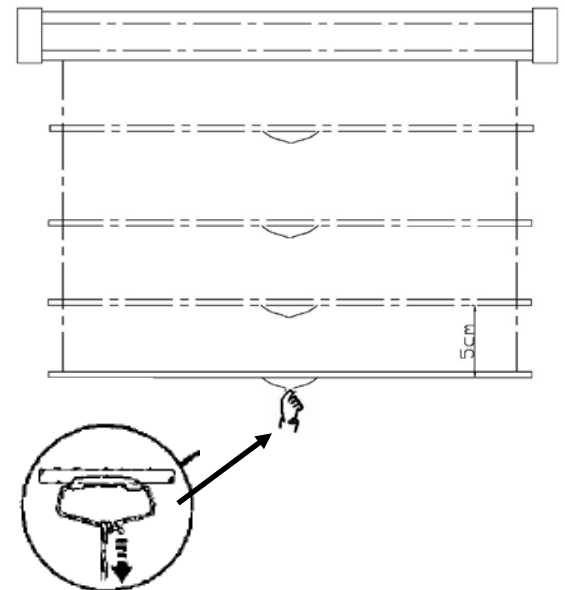
1. Pull the screen down from the lanyard or from the handle only in a 90-degree angle. Do not attempt to pull the screen down by the surface or touch the screen, as it will damage the screen and void the warranty.
Note: An internal auto-lock mechanism system will cause the screen to stop and lock on the position at intervals.

2. If you want the screen to retract back, simply pull the screen down more than 2 inches and retract the screen back by quickly and smoothly releasing it up gently. The screen is equipped with a **SLOW RETRACT MECHANISM (SRM)** which allows the screen to slowly retract without the need to hold on to the handle or lanyard. Simply release the handle and the screen will retract by itself.

Note: Always release at a 90-degree angle and do not let go until the screen is entirely inside the case.

If ever the screen feels stuck, keep in mind that the screen’s mechanism is new and needs to be run up/down a few times to loosen up. If this happens, carefully with a little force yank the screen straight down to unlock the screen.

Note: Improperly bringing the screen up/down will damage the screen material or rolling system.



4.4 Retraction Tip

If you are not able to pull the screen down two inches when attempting to retract it, give the screen a quick yank downwards with a little bit of force. Please be sure to not stand directly under the housing of the unit when yanking down on the screen.

4.5 Maintenance

Clean matte white screen material with a soft cloth and mild soap with water. When not in use, retract screen in its housing to keep the screen material surface clean.

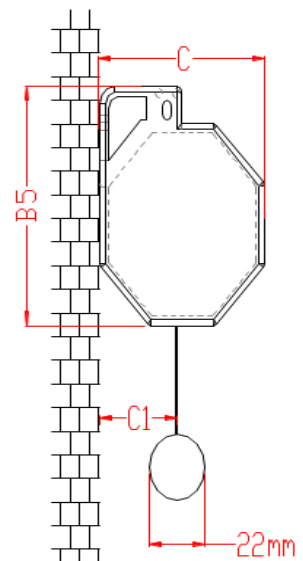
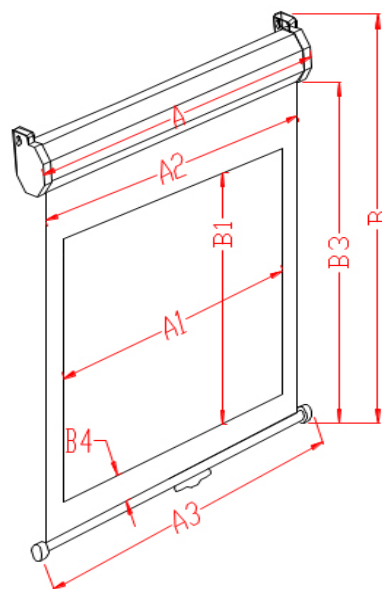
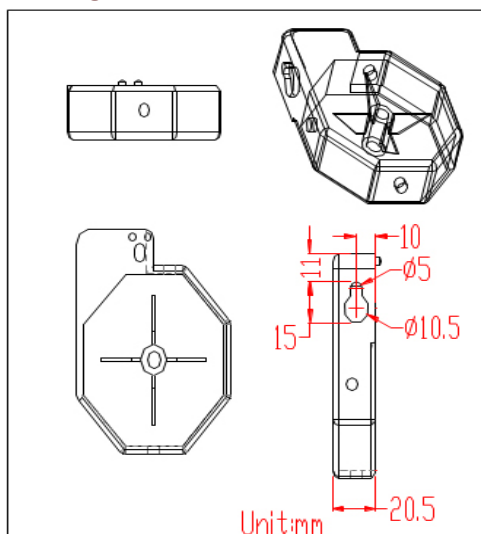
Section 5: Product Specifications

5.1 Dimensions

Model Number	Diag. Size	Aspect Ratio	A	A2	A1	A3	B4	B3	B1	B	B5	C	B2	C1
Unit: Inches														
M85XWS1-SRM	85"	1:1	66.5	63.1	60.1	66.3	2.4	67.0	60.1	70.7	3.6	3.1	4.5	0.8
M99NWS1-SRM	99"	1:1	76.4	73.0	70.0	76.2	2.4	76.9	70.0	80.6	3.6	3.1	4.5	0.8
M113NWS1-SRM	113"	1:1	86.4	82.9	79.9	86.3	2.4	86.9	79.9	90.5	3.6	3.1	4.5	0.8
M84NWX-SRM	84"	4:3	73.6	70.2	67.2	73.5	2.4	57.3	50.4	60.9	3.6	3.1	4.5	0.8
M100NWX-SRM	100"	4:3	86.4	83.0	80.0	86.2	2.4	66.9	60.0	70.6	3.6	3.1	4.5	0.8
M120XWH2-SRM	120"	4:3	102.8	99.0	96.0	102.6	2.4	78.9	72.0	82.6	3.6	3.1	4.5	0.8
M100XWH2-SRM	100"	16:9	93.5	90.2	87.2	93.4	2.4	55.9	49.0	59.6	3.6	3.1	4.5	0.8
M120XWH2-SRM	120"	16:9	110.9	107.6	104.6	110.8	2.4	65.7	58.8	69.4	3.6	3.1	4.5	0.8
M94NWX-SRM	94"	16:10	86.4	82.7	79.7	86.3	2.4	56.7	49.8	60.4	3.6	3.1	4.5	0.8
M113NWX-SRM	113"	16:10	102.8	98.8	95.8	102.6	2.4	66.8	59.9	70.4	3.6	3.1	4.5	0.8
Unit: mm														
M85XWS1-SRM	85"	1:1	1689	1603	1527	1684	61	1702	1527	1796	91	79	114	20
M99NWS1-SRM	99"	1:1	1941	1854	1778	1935	61	1953	1778	2047	91	79	114	20
M113NWS1-SRM	113"	1:1	2195	2106	2029	2192	61	2207	2029	2299	91	79	114	20
M84NWX-SRM	84"	4:3	1869	1783	1707	1867	61	1455	1280	1547	91	79	114	20
M100NWX-SRM	100"	4:3	2195	2108	2032	2189	61	1699	1524	1793	91	79	114	20
M120XWH2-SRM	120"	4:3	2611	2515	2438	2606	61	2004	1829	2098	91	79	114	20
M100XWH2-SRM	100"	16:9	2375	2291	2215	2372	61	1420	1245	1514	91	79	114	20
M120XWH2-SRM	120"	16:9	2817	2733	2657	2814	61	1669	1494	1763	91	79	114	20
M94NWX-SRM	94"	16:10	2195	2101	2024	2191	62	1441	1265	1533	92	79	114	20
M113NWX-SRM	113"	16:10	2610	2510	2434	2606	62	1697	1521	1789	92	79	114	20

Note Data Error: ±1"

5.2 Drawings





5.3 Pictures

Manual SRM Series Sizes



End Cap Detail



Housing Detail



Corner Detail



Weight Bar Detail



Handle Detail



Life Style



Section 6: Company Description

6.1 About EliteProAV™

EliteProAV™ is the manufacturer of projector screens for the commercial AV sales channel. It is a division of Elite Screens Inc., an ISO9001:2015 certified manufacturer that is presently the leading international brand of CE Retail projector screens with offices located worldwide.

EliteProAV™ provides an array of dedicated commercial grade projector screens for professional integrators. This includes certified products that are also compatible with building codes as well as programs, warranties and trained professionals to assist installers every step of the way. Product is available through a series of regional warehouses located in Southern California, Texas, Georgia, and Maryland. EliteProAV™ is located at 12282 Knott St. Garden Grove, CA 92841. For more information, please call 877-511-1211 or visit <http://www.eliteproav.com>.

###