



# Tab-tensioned Electric Motorized Projection Screen

## **CineTension 2 Series**

### **User's Guide**

#### **Important Safety & Warning Precautions**

**Make sure to read this user's guide and follow the procedures below.**

**Caution:** The screen's Black Top Drop is already set to its maximum drop distance. There is NO extra Black Top Drop in the roller. Please be aware of this as it will void your warranty with EliteProAV. Unapproved changes or modifications (except for cutting the power cord for hardwire installations) to this unit are prohibited and will void your warranty. For more information, please contact our Technical Support Department at (877) 511-1211 Ext. 604.

- Please retain this user's guide for future reference.
- To avoid damaging the unit, do not use with any unauthorized accessories not recommended by the manufacturer.
- Handle the unit carefully during transportation to avoid any damages.
- To ensure safe and reliable operation, direct connection to a properly grounded power source is advised.
- The power outlet supplying power to the unit should be close to the unit and easily accessible.
- Do not install the unit on uneven, inclined surfaces;
- Do not install in damp places to avoid an electric shock or short circuit.
- Do not place any heavy objects over the power cord.
- Position the power cord properly to avoid creating a trip obstacle.
- To avoid an electrical shock or fire, due to a loose contact or short circuit, do not overload the power cord.
- The internal & external parts of this unit are not end user serviceable. Do not attempt to disassemble this unit by yourself. No one except authorized technicians can open and make repairs to this unit.
- Make sure the power source that this unit is connected to has a continuous power flow.
- If there is need to use an extension cord, make sure the cord has an equal rating as the appliance to avoid over heat.
- Do not handle the power plug when your hands are wet or your feet are in contact with water.
- Properly dispose of this equipment according to the environmental regulations in your area when product is no longer of service.

### **Do not use this unit under the following circumstances.**

- Disconnect the power cord under the conditions of heavy rain, wind thunder or lightning.
- Avoid direct sun light, rain shower and moisture.
- Keep away from fire sources and high temperature to prevent this device from overheating.
- Cut off the power supply first before transportation or maintenance.
- To avoid possible injury and/or an electric shock, do not attempt to use this screen if there is obvious damage or if there are any evident broken parts.

### **Installation Warning**

**The instructions provided in this user's guide are for reference only. Please consult a professional installation company for further installation and safety advice. The installer must insure that proper mounting hardware is used to provide adequate strength suitable for the installation. EliteProAV is not liable for any faulty installations. For limit adjustment instructions, please contact our Technical Support Department at (877) 511-1211 Ext. 604**

The Screen's **Top Black Drop** is already set to its maximum drop distance. There is **NO** extra top black drop in the roller. Please be aware of this as it will void the limitation of your warranty.

Individual modifications to this product are prohibited and will void the warranty with the manufacturer. Please contact EliteProAV Customer Service for any questions.

#### **NOTE:**

This equipment has been tested and found to comply with the limits for a Class B digital device, pursuant to Part 15 of the FCC Rules.

These limits are designed to provide reasonable protection against harmful interference in a residential installation. This equipment generates and can radiate radio frequency energy and, if not installed and used in accordance with the instructions, may cause harmful interference to radio communications.

However, there is no guarantee that the interference will not occur on a particular installation. If this equipment causes harmful interference to radio or television reception, which can be determined by turning the equipment off and on, the user is encouraged to try to correct the interference by one or more of the following measures.

- ✓ **Reorient or relocate the receiving antenna of the device which may be causing the interference.**
- ✓ **Increase the separation between the screen and the device's receiver.**
- ✓ **Connect the equipment into a different power outlet other than the device.**




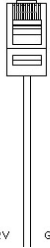



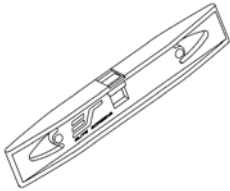
### **Pre-Installation**

1. Carefully unpack the screen.
2. Always handle the screen in a leveled position on a clean surface.
3. In order to protect the screen from exposure to stains, keep the screen out of contact with foreign particles such as dust, sawdust, and/or liquids.

#### **NOTE**

Regardless of the mounting method, the screen should be securely supported so that the vibration or pulling on the viewing surface will not cause the casing to become loose or fall. The installer must insure the fasteners that are used are of adequate strength and suitable for the installation location.

## CineTension 2 Series| Controls and Accessories

A. IR Remote	B. RF Remote	C. Wall switch control box	D. 5-12 volt trigger cable
			 Red 12V   Green 0V
E. IR extended "eye" receiver	F. Wireless 5-12v (3.5 mm) mono trigger cable	G. AAA batteries	H. Bubble leveler
			

### Screen operation

**Electric Current:** Depending upon region, your EliteProAV™ screen will operate on 100v, 110v, or 220v voltage.

1. After ensuring the power outlet & screen are compatible (voltage), plug the power cord into the power outlet.
2. Once the screen has power, you'll be able to control it using any of the 6 methods described below.

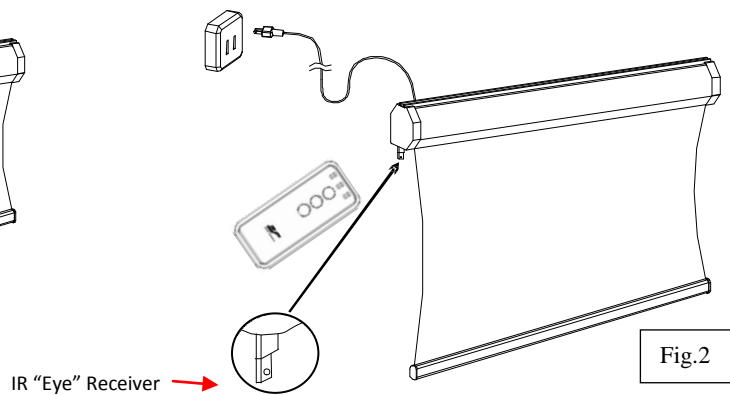
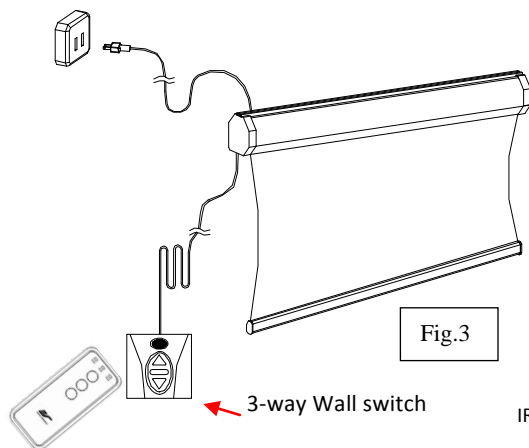
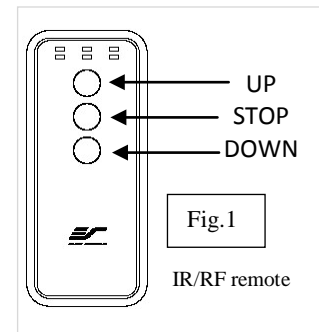
### 6 ways to control your CineTension 2

1. **IR remote control (Item A, Fig 1):** The Infrared functions by direct line of sight contact with a beam range of 30 feet. Aim the IR remote at the circular window located on the left side of the screen

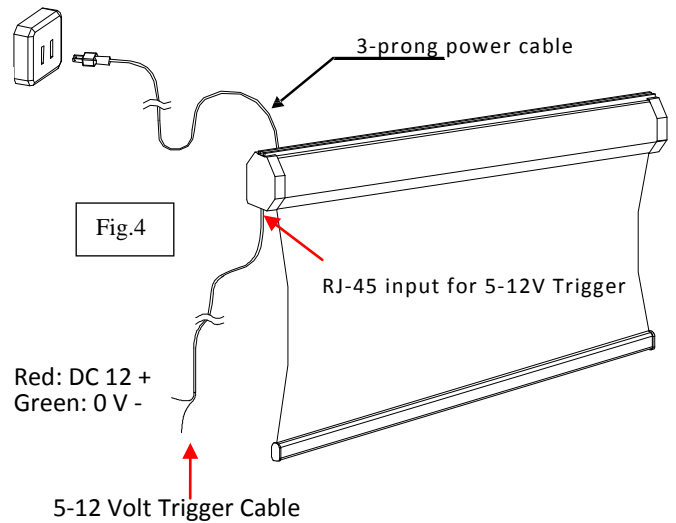
2. **IR "Eye" Receiver (Item E, Fig 2):** The IR "Eye" Receiver plugs directly into the screen's RJ-45 input to present a low profile line-of-sight control option for your IR remote control even in a recessed ceiling installation.

3. **RF Remote Control (Item B):** The radio waves eliminate the need for a direct line of sight with a range of 100 feet.

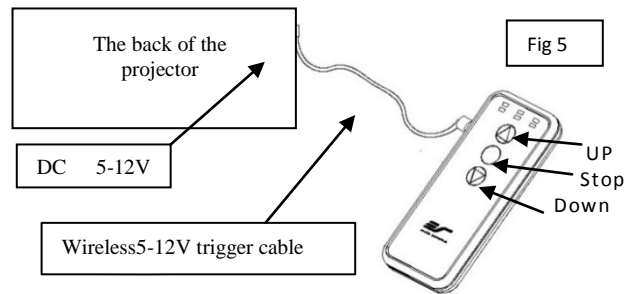
4. **3-Way Wall Switch (Item C, Fig 3):** The 3-way wall switch is a wall mount control box with an up/stop/down button and plugs directly into the screen's RJ-45 input.



**5. 5-12 volt trigger (Item D, Fig 4):** The built-in 5-12V trigger input allows your screen to synchronize its drop & rise with the projector's power cycle. The screen deploys when the projector powers up and will retract when the projector powers down. The 5-12 volt RJ45 cable connects to your projector's trigger output via a separate cable that may or may not be provided by the manufacturer of the projector. The trigger feature will not work without an output cable from the projector, but it can be tested by connecting the Red (+) and Green (-) cable to a 9-volt battery.

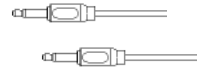


**6. Wireless 5-12 volt trigger (Item F, Fig 5):** The RF remote control serves as a dual purpose, independently as a handheld remote control, or in conjunction with the Wireless 5-12 volt trigger cable. The radio frequency technology can be programmed to send a wireless signal to synchronize i drop/rise with the projector's power cycle.



**Here's how to set up your Wireless 5-12 volt trigger | Synchronization Instructions**

- Step 1:** Connect one end of the 3.5 mm wireless 5-12 volt trigger cable to the RF remote.
- Step 2:** Connect the other 3.5 mm end of the wireless 5-12 volt trigger cable to your projector
- Step 3:** Make sure to unplug your screen from the power outlet
- Step 4:** Hold the **UP** button on your RF remote
- Step 5:** While holding the **UP** button, plug the screen back to the power outlet
- Step 6:** Wait 5 seconds and then release the **UP** button
- Step 7:** Your 5-12V wireless trigger should now be activated with your screen and ready to be used and able to control your screen with your projector's power cycle


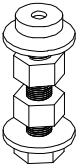

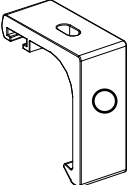


Repeat the steps again if not successful.

(Please be aware, the projector on/off cycle may take longer to fully activate. It usually takes around 20-30seconds for full off and on cycle each time)

**Hardware Parts List for CineTension 2 Series**

*Please make sure all parts listed below are included before proceeding with the installation.*

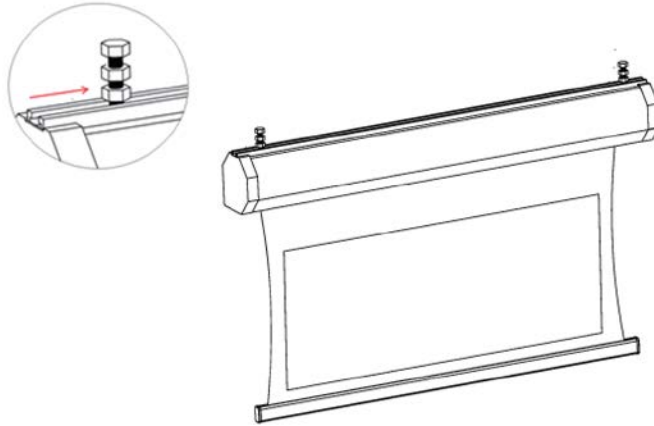
<p>A. M12 Dry-wall anchor x 4 or 6</p> 	<p>B. Bolt x 2 or 3</p> 	<p>C. Masonry Screw x 4 or 6</p> 	<p>C. Extruded Hanging Bracket x 2 or 3</p>  <p>120" &amp; above x 3 brackets</p>
--	---	---	--

## Installation Instruction

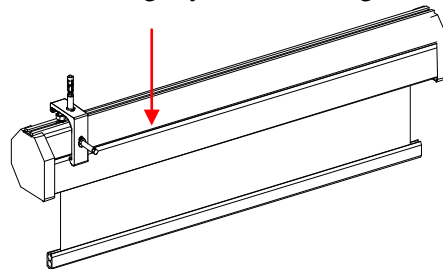
Wall Screws included with this product are complementary and may not be adequate for all mounting surfaces. Consult with a professional installer or hardware store for proper mounting screws and anchors.

**Please consult a professional installer. EliteProAV is not liable for any faulty installations.**

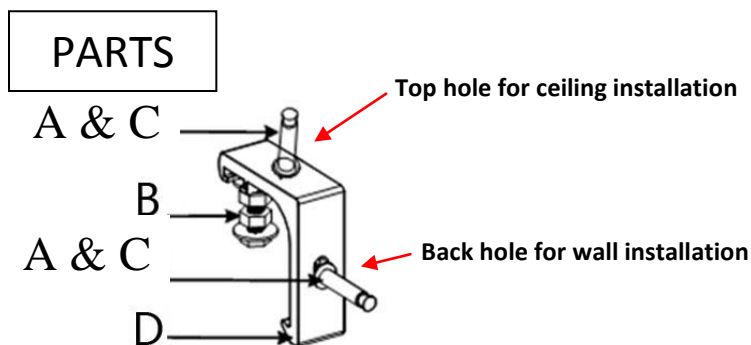
1. Insert each **Bolt (B)** through the right & left slide channel located on the top of the screen's case.



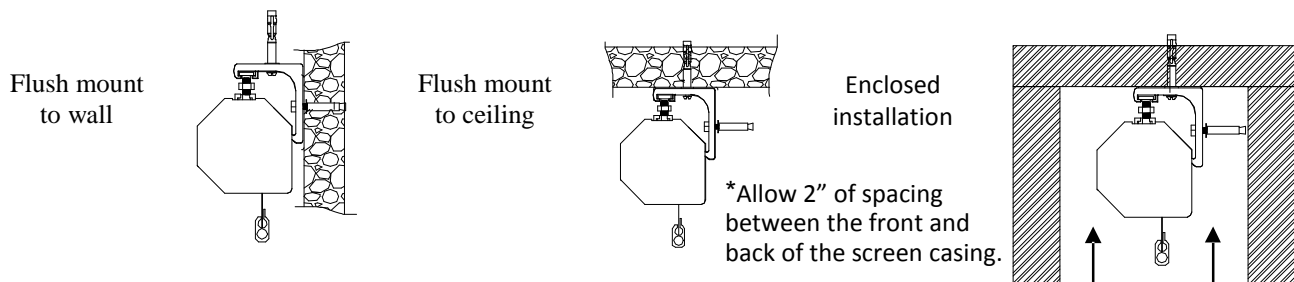
2. Slide the **Extruded Hanging Bracket (D)** through the rail located below the slide channel until it meets with the top of the **Bolt (B)** and slightly secure the lug-nuts located on the top & bottom of the bolt to attach the bracket.



3. Mark the installation location to drill your hole. Insert the proper screw and secure the bolts to the bracket.

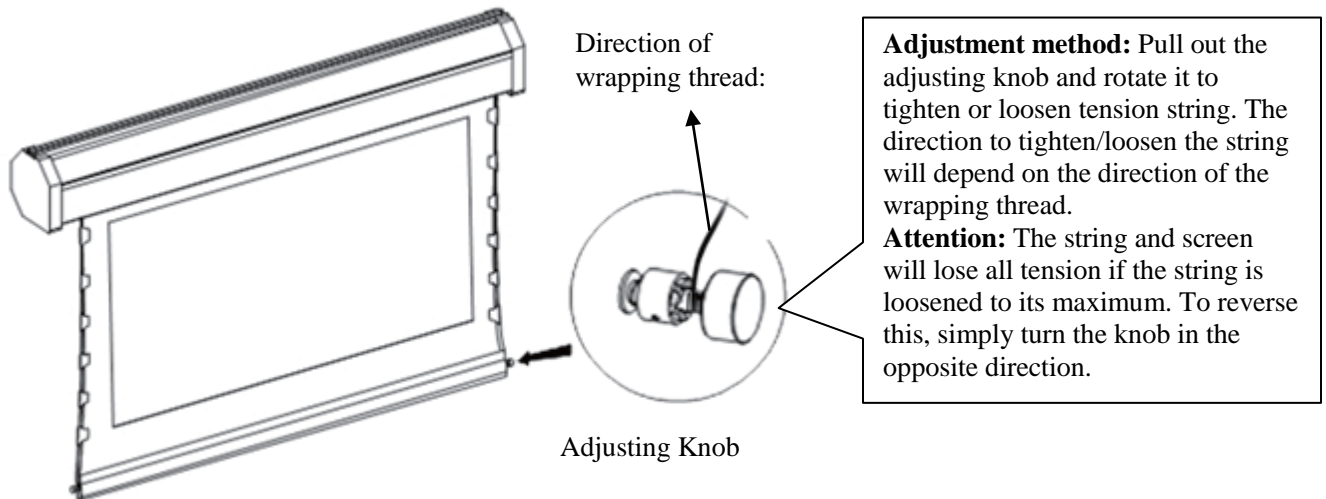


4. Example of the CineTension 2 installed to a wall, ceiling and enclosed.



## Adjusting the Tension String

There are adjustment knobs located at the end of the weight bar of the screen. If for any reason the tension string(s) is loose, you can re-tension it by adjusting the tension string(s) knobs. The tension should be equally balanced in order to provide a flat, uniform projection surface.



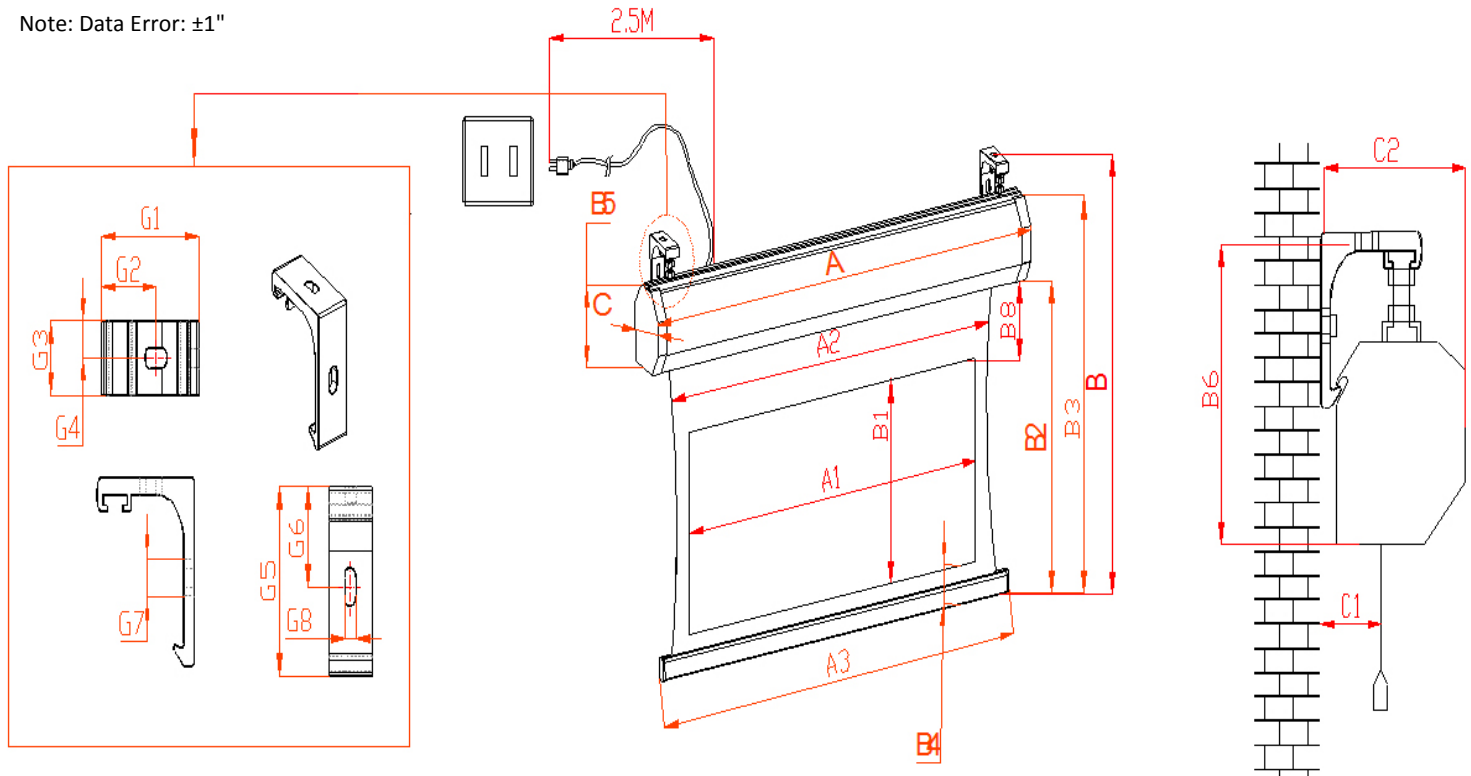
**Attention:** The screen's tension has been preset to achieve its best performance. The aforementioned adjustments are typically not required. Prior to making adjustments, please contact EliteProAV for assistance to avoid damaging the screen and voiding your warranty.

## Dimensions Table

Model Number	A	A1	A2	A3	B	B1	B2	B3	B4	B5	B6	B8	C	C1	C2
Unit: Inches															
TE92HW2	96.0	80.2	87.7	91.5	61.5	45.1	54.8	59.6	3.8	4.7	6.7	6.0	4.8	0.9	5.2
TE100HW2	103.0	87.2	94.6	98.4	65.5	49.0	58.8	63.5	3.8	4.7	6.7	6.0	4.8	0.9	5.2
TE100HW2-E24	103.0	87.2	94.6	98.4	83.5	49.0	76.8	81.5	3.8	4.7	6.7	24.0	4.8	0.9	5.2
TE100HW2-E36	109.0	87.2	96.6	104.4	95.5	49.0	88.8	93.5	3.8	4.7	6.7	36.0	4.8	0.9	5.2
TE106HR2	109.0	92.4	99.9	104.4	68.4	52.0	61.7	66.5	3.8	4.7	6.7	6.0	4.8	0.9	5.2
TE106HW2	109.0	92.4	99.9	104.4	68.4	52.0	61.7	66.5	3.8	4.7	6.7	6.0	4.8	0.9	5.2
TE106HW2-E24	109.0	92.4	99.9	104.4	86.5	52.0	79.8	84.5	3.8	4.7	6.7	24.0	4.8	0.9	5.2
TE110HW2	113.4	95.9	104.5	108.9	70.4	53.9	63.7	68.4	3.8	4.7	6.7	6.0	4.8	0.9	5.2
TE110HW2-E36	115.4	95.9	106.5	110.8	100.4	53.9	93.7	98.4	3.8	4.7	6.7	36.0	4.8	0.9	5.2
TE120HR2	122.3	104.6	113.3	117.8	73.3	58.8	66.6	71.3	3.8	4.7	6.7	4.0	4.8	0.9	5.2
TE120HW2	122.3	104.6	113.3	117.8	73.3	58.8	66.6	71.3	3.8	4.7	6.7	4.0	4.8	0.9	5.2
TE120HW2-E36	126.2	104.6	115.2	121.7	105.3	58.8	98.6	103.3	3.8	4.7	6.7	36.0	4.8	0.9	5.2
TE135HR2	135.4	117.7	126.3	130.9	80.7	66.2	74.0	78.7	3.8	4.7	6.7	4.0	4.8	0.9	5.2
TE135HW2	135.4	117.7	126.3	130.9	80.7	66.2	74.0	78.7	3.8	4.7	6.7	4.0	4.8	0.9	5.2
TE135HW2-E12	135.4	117.7	126.3	130.9	88.7	66.2	82.0	86.7	3.8	4.7	6.7	12.0	4.8	0.9	5.2
TE150HR2	149.7	130.7	139.4	145.2	88.0	73.5	81.3	86.1	3.8	4.7	6.7	4.0	4.8	0.9	5.2
TE150HW2	149.7	130.7	139.4	145.2	88.0	73.5	81.3	86.1	3.8	4.7	6.7	4.0	4.8	0.9	5.2
TE150HW2-E20	149.7	130.7	139.4	145.2	104.1	73.6	97.4	102.1	3.8	4.7	6.7	20.0	4.8	0.9	5.2
TE84HR2	89.8	73.2	80.7	84.6	57.6	41.2	50.9	55.7	3.8	4.7	6.7	6.0	4.8	0.9	5.2
TE92HR2	96.0	80.2	87.7	91.5	61.5	45.1	54.8	59.6	3.8	4.7	6.7	6.0	4.8	0.9	5.2

Model Number	A	A1	A2	A3	B	B1	B2	B3	B4	B5	B6	B8	C	C1	C2
Unit: mm															
TE92HW2	2438	2037	2227	2323	1563	1145	1393	1513	96	120	170	152	122	24	132
TE100HW2	2615	2214	2404	2500	1663	1245	1493	1613	96	120	170	152	122	24	132
TE100HW2-E24	2615	2214	2404	2500	2121	1245	1951	2071	96	120	170	610	122	24	132
TE100HW2-E36	2768	2214	2454	2653	2425	1245	2255	2375	96	120	170	914	122	24	132
TE106HR2	2768	2347	2537	2653	1738	1320	1568	1688	96	120	170	152	122	24	132
TE106HW2	2768	2347	2537	2653	1738	1320	1568	1688	96	120	170	152	122	24	132
TE106HW2-E24	2768	2347	2537	2653	2196	1320	2026	2146	96	120	170	610	122	24	132
TE110HW2	2880	2435	2655	2765	1788	1370	1618	1738	96	120	170	152	122	24	132
TE110HW2-E36	2930	2435	2705	2815	2550	1370	2380	2500	96	120	170	914	122	24	132
TE120HR2	3107	2657	2877	2992	1862	1494	1692	1812	96	120	170	102	122	24	132
TE120HW2	3107	2657	2877	2992	1862	1494	1692	1812	96	120	170	102	122	24	132
TE120HW2-E36	3205	2657	2927	3090	2674	1494	2504	2624	96	120	170	914	122	24	132
TE135HR2	3440	2989	3209	3325	2049	1681	1879	1999	96	120	170	102	122	24	132
TE135HW2	3440	2989	3209	3325	2049	1681	1879	1999	96	120	170	102	122	24	132
TE135HW2-E12	3440	2989	3209	3325	2252	1681	2082	2202	96	120	170	305	122	24	132
TE150HR2	3802	3321	3541	3687	2236	1868	2066	2186	96	120	170	102	122	24	132
TE150HW2	3802	3321	3541	3687	2236	1868	2066	2186	96	120	170	102	122	24	132
TE150HW2-E20	3802	3321	3541	3687	2643	1869	2473	2593	96	120	170	508	122	24	132
TE84HR2	2280	1860	2050	2150	1464	1046	1294	1414	96	120	170	152	122	24	132
TE92HR2	2438	2037	2227	2323	1563	1145	1393	1513	96	120	170	152	122	24	132

Note: Data Error: ±1"



For local EliteProAV contact or Technical Support, please visit  
[www.eliteproav.com](http://www.eliteproav.com)