



Electric Motorized Projection Screen

VMAX 2 Series

User's Guide

Important Safety & Warning Precautions

Make sure to read this user's guide and follow the procedure below.

Caution: The screen's Black Top Drop is already set to its maximum drop distance. There is NO extra Black Top Drop in the roller. Please be aware of this as it will void your warranty with EliteProAV™. Unapproved changes or modifications (except for cutting the power cord for hardwire installations) to this unit are prohibited and will void your warranty. For more information, please contact our Technical Support Department at (877) 511-1211 Ext. 604.

- Please retain this user's guide for future reference.
- To avoid damaging the unit, do not use with any unauthorized accessories not recommended by the manufacturer.
- Handle the unit carefully during transportation to avoid any damages.
- To ensure safe and reliable operation, direct connection to a properly grounded power source is advised.
- The power outlet supplying power to the unit should be close to the unit and easily accessible.
- Do not install the unit on uneven or inclined surfaces.
- Do not put heavy objects on the power cord and position it properly to avoid creating a trip obstacle.
- Never overload the power cord to prevent an electric shock or fire due to a loose contact or a short circuit.
- There are not user serviceable parts in this unit. Do not attempt to disassemble this unit by yourself. No one except authorized technicians can open and make repairs to this unit.
- Make sure the power source this unit is connected to has a continuous power flow.
- If there is need to use an extension cord, make sure the cord has an equal rating as the appliance to avoid overheating.
- Do not handle the power plug when your hands are wet or your feet are in contact with water.

Do not use this unit under the following circumstances.

- Disconnect the power cord under the conditions of heavy rain, wind, thunder or lightning.
- Avoid direct Sunshine, rain shower and moisture.
- Keep away from fire sources and high temperature to prevent this device from overheating.
- Cut off the power supply first before transportation or maintenance.
- Fully disconnect from the power supply when the unit is not in use for a long period of time, as should be done with any other electric household appliance.
- To avoid possible injury and/or an electric shock, do not attempt to use the screen if there is obvious damage or if there are any evident broken parts.

Installation Warning

Due to various installation environments, the instructions provided in this user's guide are for reference only. Please consult a professional installation company for further installation and safety advice. The installer must insure that proper mounting hardware is used to provide adequate strength suitable for the installation. EliteProAV™ is not liable for any faulty installations.

The Screen's **Top Black Drop** is already set to its maximum drop distance. There is **NO** extra top black drop in the roller. Please be aware of this as it will void the limitation of your warranty.

Individual modifications to this product are prohibited and will void the warranty with the manufacturer. Please contact EliteProAV™ Customer Service for any questions.

NOTE:

This equipment has been tested and found to comply with the limits for a Class B digital device, pursuant to Part 15 of the FCC Rules.

These limits are designed to provide reasonable protection against harmful interference in a residential installation. This equipment generates and can radiate radio frequency energy and, if not installed and used in accordance with the instructions, may cause harmful interference to radio communications.

However, there is no guarantee that the interference will not occur on a particular installation. If this equipment causes harmful interference to radio or television reception, which can be determined by turning the equipment off and on, the user is encouraged to try to correct the interference by one or more of the following measures.

- ✓ **Reorient or relocate the receiving antenna of the device which may be causing the interference.**
- ✓ **Increase the separation between the screen and the device's receiver.**
- ✓ **Connect the equipment into a different power outlet other than the device.**

Pre-Installation

1. Carefully unpack the screen.
2. Always handle the screen in a leveled position on a clean surface.
3. In order to protect the screen from exposure to stains, keep the screen out of contact with foreign particles such as dust, sawdust, and/or liquids.

NOTE:

Regardless of the mounting method, the screen should be securely supported so that the vibration or pulling on the viewing surface will not cause the casing to become loose or fall. The installer must insure that the fasteners used are of adequate strength and suitable for the installation location.

Accessories for VMAX 2 Series

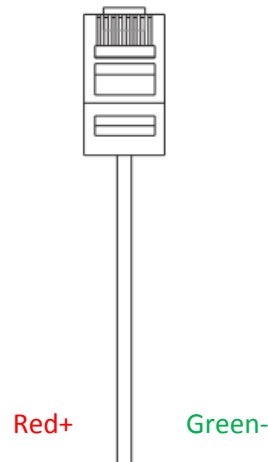
Please make sure all accessories below are included before proceeding.



A.
Infrared Remote



B.
Radio Frequency



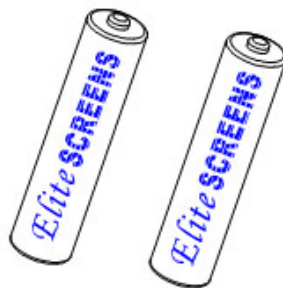
C.
12 Volt Trigger



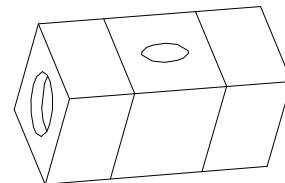
D.
3 Way Wall Switch



D.
Infrared Eye Receiver



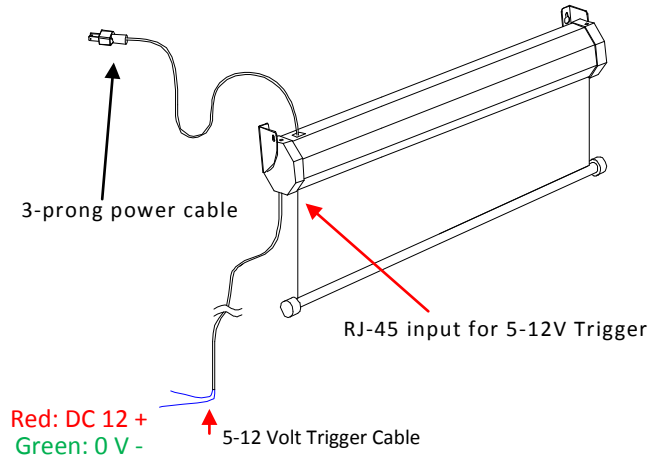
E.
AAA Batteries



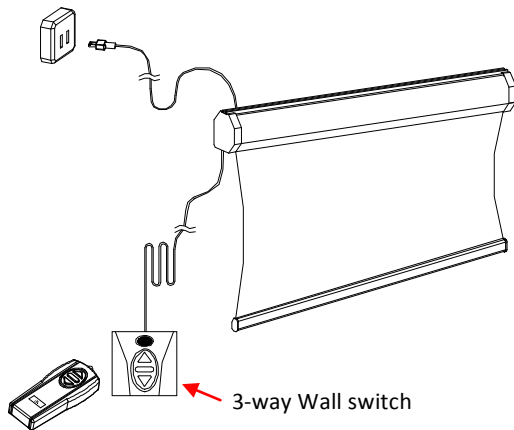
F.
Bubble Level

Control System for VMAX 2 Series

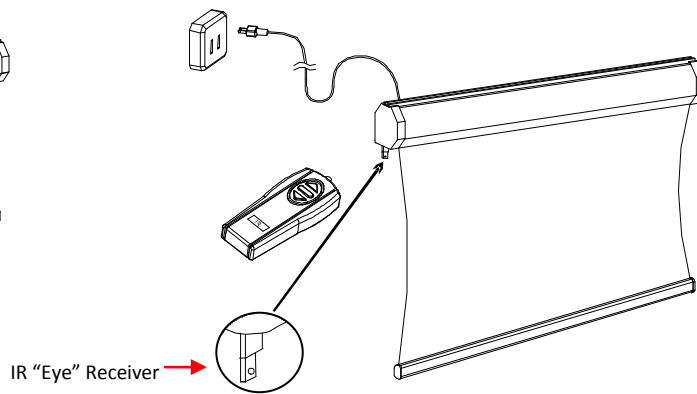
1. 5-12V Trigger: The built-in 5-12V trigger input allows your screen to synchronize its drop & rise with the projector's power cycle. The screen deploys when the projector powers up and will retract when the projector powers down. The 5-12 volt adaptor connects to your projector's trigger output via a separate cable that may or may not be provided by the manufacturer of the projector. The trigger feature will not work without an output cable from the projector, but it can be tested by connecting the Red (+) and Green (-) cable to a 9-volt battery.



2. 3-Way Wall Switch: The 3-way wall switch is a wall mount control box with an up/stop/down button and plugs directly into the screen's RJ-45 input.

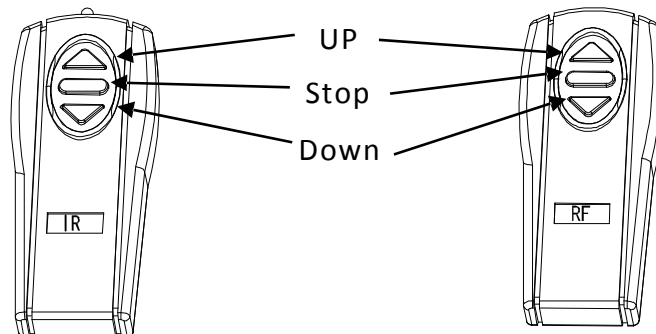


3. IR "Eye" Receiver: The IR "Eye" Receiver plugs directly into the screen's RJ-45 input to present a low profile line-of-sight control option for your IR remote control even in a recessed ceiling installation.



4. IR Remote Control: The Infrared functions by direct line of sight contact with a beam range of 30 feet.

5. RF Remote Control: The radio waves eliminate the need for a direct line of sight with a range of 150 feet.



Installation Instructions

Please consult a professional installer. EliteProAV™ is not liable for any faulty installations.

1. Select the installation location for your screen within reasonable proximity from your power source.
2. For best support of your screen, it is ideal to secure your screen into the studs of your house's internal framework. If studs are not available, use hollow anchors for mounting your wall screws into drywall. If you're installing in a concrete structure, use concrete bolts to secure your screen.
Always consult a professional installer or hardware professional to ensure that the proper screws and/or hardware are being used.
3. Ensure that both brackets are in perfect level alignment with one another. Use wall/ceiling wood screws to secure to the wood studs. Use hollow anchors if mounting in drywall.
4. The screen casing is designed to accept the wall screws directly. If not using the Optional L-Brackets <http://shop.elitescreens.com/accessories.aspx>, be sure to position the washer between the head of the wall-screw and the anchor slots on the screen's casing.
5. Using a tape measure, mark the keyholes that are located at the back of the screen's casing end cap.
6. After marking the area and predrilled hole, insert the screw and have at least 1/8" from the wall to mount the screen. (See example in Figure 1.)
7. Figure 2 will show you an optional installation using chains (not included).

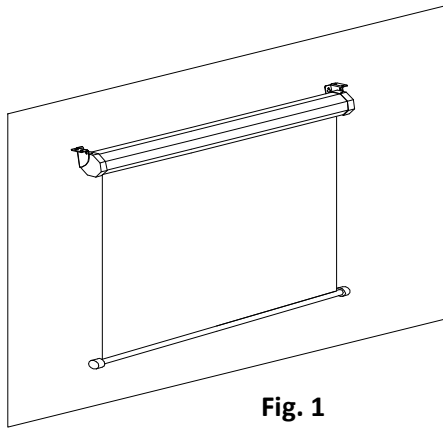
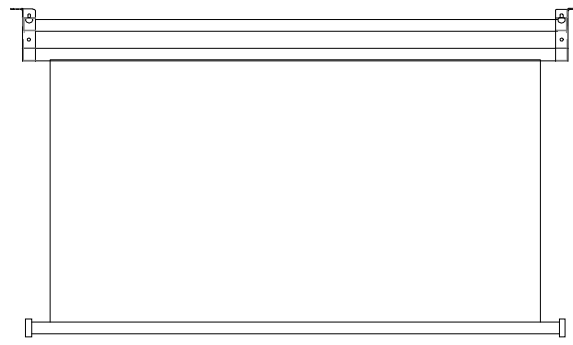


Fig. 1



Loops

Optional installation method using a chain to hang the screen from the ceiling

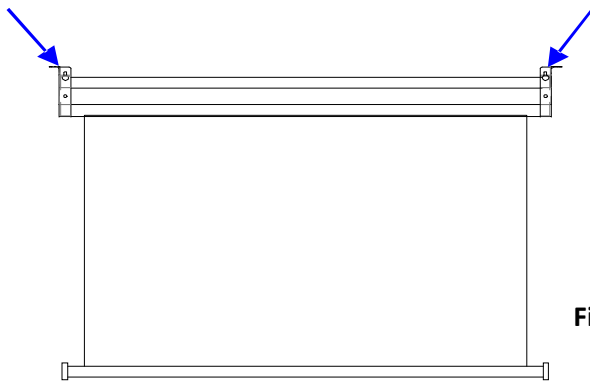
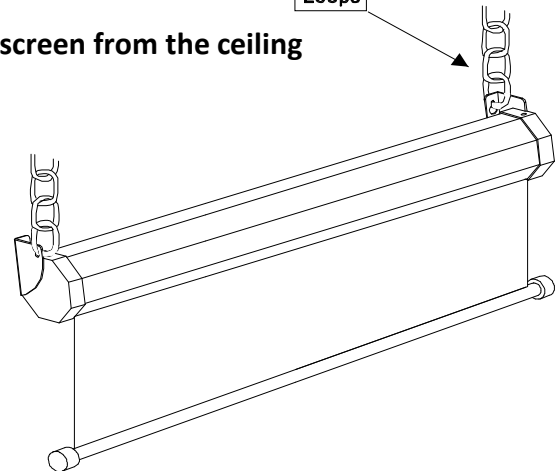


Fig. 2



Dimensions Table

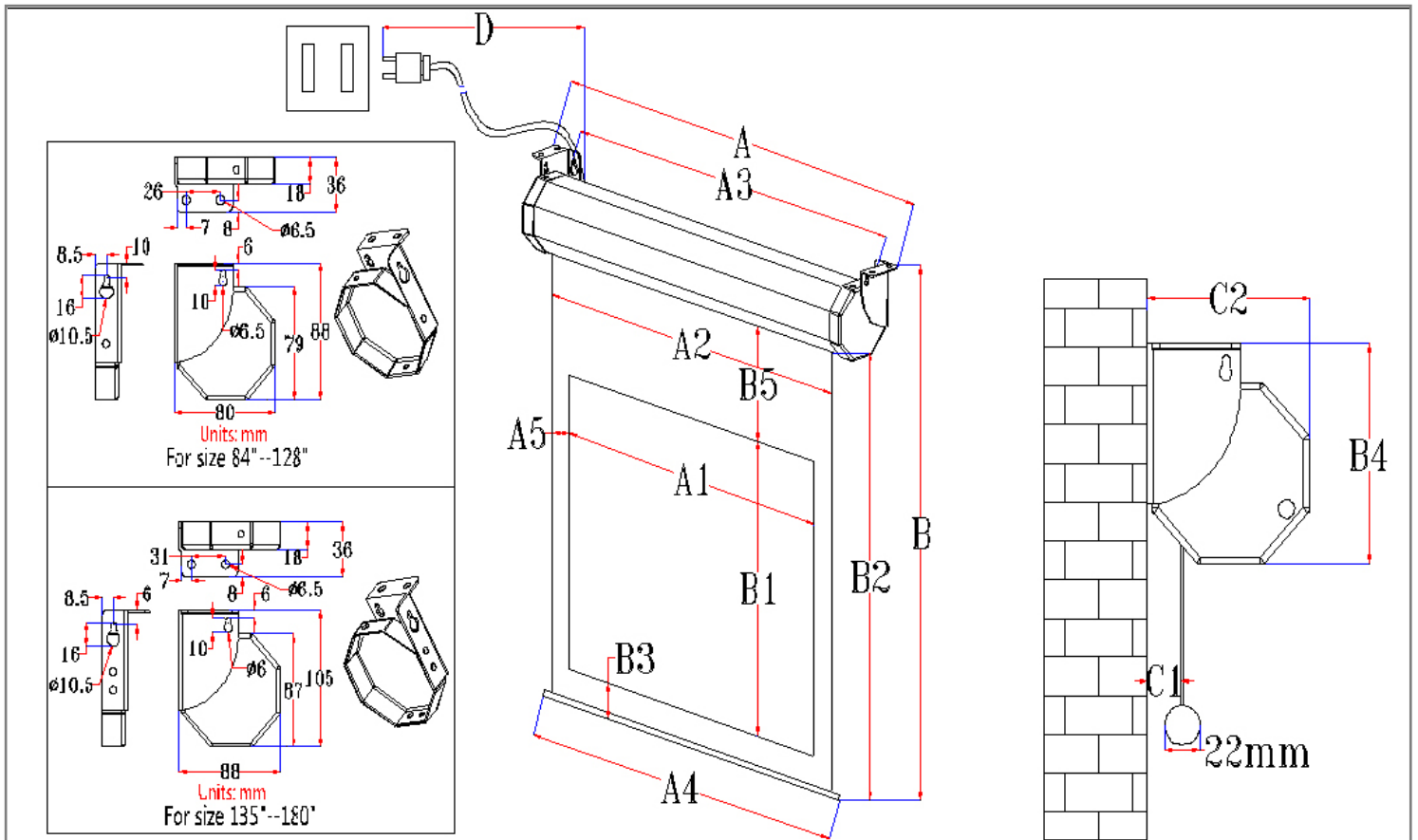
Model Number	A	A1	A2	A3	A4	B	B1	B2	B3	B4	B5	C1	C2	D
Unit: Inches														
VMAX84UWH2	85.4	73.2	76.2	83.2	79.4	55.0	41.2	51.5	2.4	3.5	8.0	0.7	3.1	70.9
VMAX84XWH2	85.4	73.2	76.2	83.2	79.4	55.0	41.2	51.5	2.4	3.5	8.0	0.7	3.1	70.9

Model Number	A	A1	A2	A3	A4	B	B1	B2	B3	B4	B5	C1	C2	D
VMAX84UWH2-E30	85.4	73.2	76.2	83.2	79.4	77.0	41.2	73.5	2.4	3.5	30.0	0.7	3.1	70.9
VMAX92UWH2	93.1	80.2	84.1	91.0	87.1	56.9	45.1	53.5	2.4	3.5	6.0	0.7	3.1	70.9
VMAX92XWH2	93.1	80.2	84.1	91.0	87.1	56.9	45.1	53.5	2.4	3.5	6.0	0.7	3.1	70.9
VMAX92UWH2-E30	93.1	80.2	84.1	91.0	87.1	80.9	45.1	77.5	2.4	3.5	30.0	0.7	3.1	70.9
VMAX100UWH2	100.2	87.2	91.1	98.0	94.2	60.9	49.0	57.4	2.4	3.5	6.0	0.7	3.1	70.9
VMAX100XWH2	100.2	87.2	91.1	98.0	94.2	60.9	49.0	57.4	2.4	3.5	6.0	0.7	3.1	70.9
VMAX106UWH2	105.6	92.4	96.3	103.4	99.5	65.8	52.0	62.3	2.4	3.5	8.0	0.7	3.1	70.9
VMAX106UWH2-E24	105.6	92.4	96.3	103.4	99.5	81.8	52.0	78.3	2.4	3.5	24.0	0.7	3.1	70.9
VMAX106XWH2-E24	105.6	92.4	96.3	103.4	99.5	81.8	52.0	78.3	2.4	3.5	24.0	0.7	3.1	70.9
VMAX110UWH2	109.2	95.9	99.8	107.0	103.0	67.8	53.9	64.3	2.4	3.5	8.0	0.7	3.1	70.9
VMAX110UWH2-E24	109.2	95.9	99.8	107.0	103.0	83.8	53.9	80.3	2.4	3.5	24.0	0.7	3.1	70.9
VMAX120UWH2	117.8	104.6	108.5	115.6	111.7	70.7	58.8	67.2	2.4	3.5	6.0	0.7	3.1	70.9
VMAX120XWH2	117.8	104.6	108.5	115.6	111.7	70.7	58.8	67.2	2.4	3.5	6.0	0.7	3.1	70.9
VMAX120UWH2-E24	117.8	104.6	108.5	115.6	111.7	88.7	58.8	85.2	2.4	3.5	24.0	0.7	3.1	70.9
VMAX120XWH2-E24	117.8	104.6	108.5	115.6	111.7	88.7	58.8	85.2	2.4	3.5	24.0	0.7	3.1	70.9
VMAX135UWH2	129.5	117.7	121.6	127.3	124.8	76.7	66.2	72.6	2.4	4.1	4.0	0.7	3.5	98.4
VMAX135XWH2	129.5	117.7	121.6	127.3	124.8	76.7	66.2	72.6	2.4	4.1	4.0	0.7	3.5	98.4
VMAX135UWH2-E24	129.5	117.7	121.6	127.3	124.8	96.7	66.2	92.6	2.4	4.1	24.0	0.7	3.5	98.4
VMAX135XWH2-E24	129.5	117.7	121.6	127.3	124.8	96.7	66.2	92.6	2.4	4.1	24.0	0.7	3.5	98.4
VMAX150UWH2	142.6	130.7	134.7	140.4	137.8	84.0	73.5	79.9	2.4	4.1	4.0	0.7	3.5	98.4
VMAX150XWH2	142.6	130.7	134.7	140.4	137.8	84.0	73.5	79.9	2.4	4.1	4.0	0.7	3.5	98.4
VMAX150UWH2-E24	142.6	130.7	134.7	140.4	137.8	104.0	73.5	99.9	2.4	4.1	24.0	0.7	3.5	98.4
VMAX166XWH2	156.5	144.7	148.6	154.3	151.8	91.9	81.4	87.8	2.4	4.1	4.0	0.7	3.5	98.4
VMAX84XWV2	79.4	67.2	70.2	77.2	73.3	64.2	50.4	60.8	2.4	3.5	8.0	0.7	3.1	70.9
VMAX84XWV2-E30	79.4	67.2	70.2	77.2	73.3	86.2	50.4	82.8	2.4	3.5	30.0	0.7	3.1	70.9
VMAX92UWV2	85.7	73.6	76.6	83.6	79.7	66.0	55.2	62.6	2.4	3.5	5.0	0.7	3.1	70.9
VMAX92XWV2	85.7	73.6	76.6	83.6	79.7	66.0	55.2	62.6	2.4	3.5	5.0	0.7	3.1	70.9
VMAX100UWV2	93.1	80.0	83.9	91.0	87.1	70.8	60.0	67.4	2.4	3.5	5.0	0.7	3.1	70.9
VMAX100XWV2	93.1	80.0	83.9	91.0	87.1	70.8	60.0	67.4	2.4	3.5	5.0	0.7	3.1	70.9
VMAX100XWV2-E24	93.1	80.0	83.9	91.0	87.1	89.8	60.0	86.4	2.4	3.5	24.0	0.7	3.1	70.9
VMAX120XWV2	109.2	96.0	99.9	107.0	103.1	81.8	72.0	78.4	2.4	3.5	4.0	0.7	3.1	70.9
VMAX120XWV2-E24	109.2	96.0	99.9	107.0	103.1	101.8	72.0	98.4	2.4	3.5	24.0	0.7	3.1	70.9
VMAX135XWV2	119.8	108.0	111.9	117.7	115.1	91.5	81.0	87.4	2.4	4.1	4.0	0.7	3.5	98.4
VMAX135XWV2-E24	119.8	108.0	111.9	117.7	115.1	111.5	81.0	107.4	2.4	4.1	24.0	0.7	3.5	98.4
VMAX150XWV2	131.9	120.0	123.9	129.7	127.1	100.5	90.0	96.4	2.4	4.1	4.0	0.7	3.5	98.4
VMAX150XWV2-E24	131.9	120.0	123.9	129.7	127.1	120.5	90.0	116.4	2.4	4.1	24.0	0.7	3.5	98.4
VMAX165XWV2	143.9	132.0	135.9	141.7	139.1	109.5	99.0	105.4	2.4	4.1	4.0	0.7	3.5	98.4
VMAX99UWS2	82.2	70.0	73.0	80.0	76.1	78.8	70.0	75.4	2.4	3.5	3.0	0.7	3.1	70.9
VMAX99XWS2	82.2	70.0	73.0	80.0	76.1	78.8	70.0	75.4	2.4	3.5	3.0	0.7	3.1	70.9
VMAX113UWS2	93.1	79.9	83.8	91.0	87.0	88.7	79.9	85.3	2.4	3.5	3.0	0.7	3.1	70.9
VMAX113XWS2	93.1	79.9	83.8	91.0	87.0	88.7	79.9	85.3	2.4	3.5	3.0	0.7	3.1	70.9
VMAX119XWS2	97.3	84.1	88.1	95.2	91.2	93.0	84.1	89.5	2.4	3.5	3.0	0.7	3.1	70.9

Model Number	A	A1	A2	A3	A4	B	B1	B2	B3	B4	B5	C1	C2	D
VMAX136XWS2	109.2	96.2	100.1	107.0	103.3	105.0	96.2	101.5	2.4	3.5	3.0	0.7	3.1	70.9
VMAX153XWS2	119.8	108.2	112.1	117.7	115.3	117.7	108.2	113.6	2.4	4.1	3.0	0.7	3.5	98.4
VMAX170XWS2	131.4	120.2	124.1	129.3	127.3	129.7	120.2	125.6	2.4	4.1	3.0	0.7	3.5	98.4
VMAX106UWX2	103.1	89.9	93.8	100.9	97.0	66.0	56.2	62.5	2.4	3.5	4.0	0.7	3.1	70.9
VMAX106UWX2-E24	103.1	89.9	93.8	100.9	97.0	86.0	56.2	82.5	2.4	3.5	24.0	0.7	3.1	70.9
VMAX128UWX2	121.7	108.5	112.5	119.5	115.6	77.7	67.8	74.2	2.4	3.5	4.0	0.7	3.1	70.9
VMAX128UWX2-E20	121.7	108.5	112.5	119.5	115.6	93.7	67.8	90.2	2.4	3.5	20.0	0.7	3.1	70.9
Unit: mm														
VMAX84UWH2	2168	1860	1936	2113	2016	1397	1046	1309	60	88	203	17	80	1800
VMAX84XWH2	2168	1860	1936	2113	2016	1397	1046	1309	60	88	203	17	80	1800
VMAX84UWH2-E30	2168	1860	1936	2113	2016	1956	1046	1868	60	88	762	17	80	1800
VMAX92UWH2	2366	2037	2137	2311	2212	1446	1146	1358	60	88	152	17	80	1800
VMAX92XWH2	2366	2037	2137	2311	2212	1446	1146	1358	60	88	152	17	80	1800
VMAX92UWH2-E30	2366	2037	2137	2311	2212	2056	1146	1968	60	88	762	17	80	1800
VMAX100UWH2	2544	2214	2314	2489	2394	1546	1245	1458	60	88	152	17	80	1800
VMAX100XWH2	2544	2214	2314	2489	2394	1546	1245	1458	60	88	152	17	80	1800
VMAX106UWH2	2681	2347	2447	2626	2527	1671	1320	1583	60	88	203	17	80	1800
VMAX106UWH2-E24	2681	2347	2447	2626	2527	2078	1320	1990	60	88	610	17	80	1800
VMAX106XWH2-E24	2681	2347	2447	2626	2527	2078	1320	1990	60	88	610	17	80	1800
VMAX110UWH2	2773	2435	2535	2718	2615	1721	1370	1633	60	88	203	17	80	1800
VMAX110UWH2-E24	2773	2435	2535	2718	2615	2127	1370	2039	60	88	610	17	80	1800
VMAX120UWH2	2991	2657	2757	2936	2837	1795	1494	1707	60	88	152	17	80	1800
VMAX120XWH2	2991	2657	2757	2936	2837	1795	1494	1707	60	88	152	17	80	1800
VMAX120UWH2-E24	2991	2657	2757	2936	2837	2252	1494	2164	60	88	610	17	80	1800
VMAX120XWH2-E24	2991	2657	2757	2936	2837	2252	1494	2164	60	88	610	17	80	1800
VMAX135UWH2	3289	2989	3089	3234	3169	1948	1681	1843	60	105	102	17	88	2500
VMAX135XWH2	3289	2989	3089	3234	3169	1948	1681	1843	60	105	102	17	88	2500
VMAX135UWH2-E24	3289	2989	3089	3234	3169	2456	1681	2351	60	105	610	17	88	2500
VMAX135XWH2-E24	3289	2989	3089	3234	3169	2456	1681	2351	60	105	610	17	88	2500
VMAX150UWH2	3622	3321	3421	3567	3501	2135	1868	2030	60	105	102	17	88	2500
VMAX150XWH2	3622	3321	3421	3567	3501	2135	1868	2030	60	105	102	17	88	2500
VMAX150UWH2-E24	3622	3321	3421	3567	3501	2643	1868	2538	60	105	610	17	88	2500
VMAX166XWH2	3975	3675	3775	3920	3855	2334	2067	2229	60	105	102	17	88	2500
VMAX84XWV2	2016	1707	1783	1961	1863	1631	1280	1543	60	88	203	17	80	1800
VMAX84XWV2-E30	2016	1707	1783	1961	1863	2190	1280	2102	60	88	762	17	80	1801
VMAX92UWV2	2178	1869	1945	2123	2025	1677	1402	1589	60	88	127	17	80	1800
VMAX92XWV2	2178	1869	1945	2123	2025	1677	1402	1589	60	88	127	17	80	1800
VMAX100UWV2	2366	2032	2132	2311	2212	1799	1524	1711	60	88	127	17	80	1800
VMAX100XWV2	2366	2032	2132	2311	2212	1799	1524	1711	60	88	127	17	80	1800
VMAX100XWV2-E24	2366	2032	2132	2311	2212	2282	1524	2194	60	88	610	17	80	1800
VMAX120XWV2	2773	2438	2538	2718	2618	2078	1829	1990	60	88	102	17	80	1800
VMAX120XWV2-E24	2773	2438	2538	2718	2618	2586	1829	2498	60	88	610	17	80	1800

Model Number	A	A1	A2	A3	A4	B	B1	B2	B3	B4	B5	C1	C2	D
VMAX135XWV2	3044	2743	2843	2989	2923	2324	2057	2219	60	105	102	17	88	2500
VMAX135XWV2-E24	3044	2743	2843	2989	2923	2832	2057	2727	60	105	610	17	88	2500
VMAX150XWV2	3349	3048	3148	3294	3228	2553	2286	2448	60	105	102	17	88	2500
VMAX150XWV2-E24	3349	3048	3148	3294	3228	3061	2286	2956	60	105	610	17	88	2500
VMAX165XWV2	3654	3353	3453	3599	3533	2781	2515	2676	60	105	102	17	88	2500
VMAX99UWS2	2087	1778	1854	2032	1934	2002	1778	1914	60	88	76	17	80	1800
VMAX99XWS2	2087	1778	1854	2032	1934	2002	1778	1914	60	88	76	17	80	1800
VMAX113UWS2	2366	2030	2130	2311	2210	2254	2030	2166	60	88	76	17	80	1800
VMAX113XWS2	2366	2030	2130	2311	2210	2254	2030	2166	60	88	76	17	80	1800
VMAX119XWS2	2472	2137	2237	2417	2317	2362	2137	2274	60	88	76	17	80	1800
VMAX136XWS2	2773	2443	2543	2718	2623	2667	2443	2579	60	88	76	17	80	1800
VMAX153XWS2	3044	2748	2848	2989	2928	2989	2748	2884	60	105	76	17	88	2500
VMAX170XWS2	3338	3053	3153	3283	3233	3295	3053	3190	60	105	76	17	88	2500
VMAX106UWX2	2618	2283	2383	2563	2463	1677	1427	1589	60	88	102	17	80	1800
VMAX106UWX2-E24	2618	2283	2383	2563	2463	2185	1427	2097	60	88	610	17	80	1800
VMAX128UWX2	3091	2757	2857	3036	2937	1973	1723	1885	60	88	102	17	80	1800
VMAX128UWX2-E20	3091	2757	2857	3036	2937	2379	1723	2291	60	88	508	17	80	1800

Note: Data Error $\pm 1''$



For more information, technical support or your local EliteProAV™ contact, please visit www.eliteproav.com