



Large Tripod Portable Projection Screen



Tripod Stage B Series

USER'S GUIDE

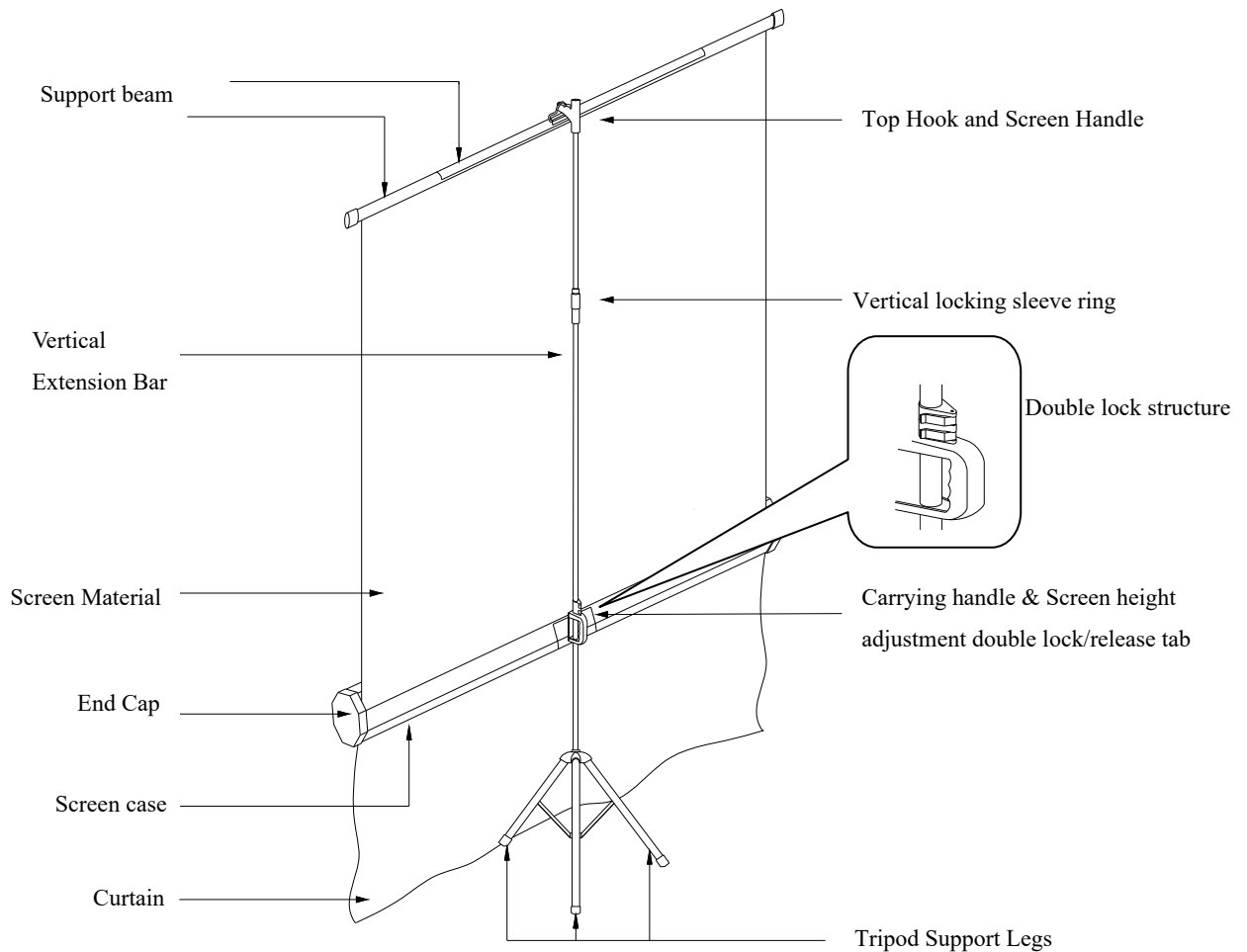
Thank you for choosing the *Tripod Stage* portable projection screen! Please read through this user guide before utilizing the screen. Correct usage and maintenance will ensure a long product life.

Care & Use Instructions

- ◆ Dust, dirt and scratches on the projection surface will affect the picture quality, please take note of the points below to prevent that from occurring:
 1. Do not touch the projection surface with your hands
 2. Do not write or draw on the projection surface
 3. Do not use fingers or sharp objects to point on the projection surface; this will damage the screen material.
 4. Use a soft-damp cloth to clean the projection surface; do not use chemical cleaning agents or alcohol.
 5. Use clean water when dampening the cleaning cloth and do not rub against the material to clean it.
- ◆ After using the screen, disassemble it and store it in the carrying bag provided.
- ◆ To avoid damage and injury, the screen should only be operated by adults.

Accessories List	
A. Curtain 	B. Carrying Bag 

Tripod Screen Parts Diagram

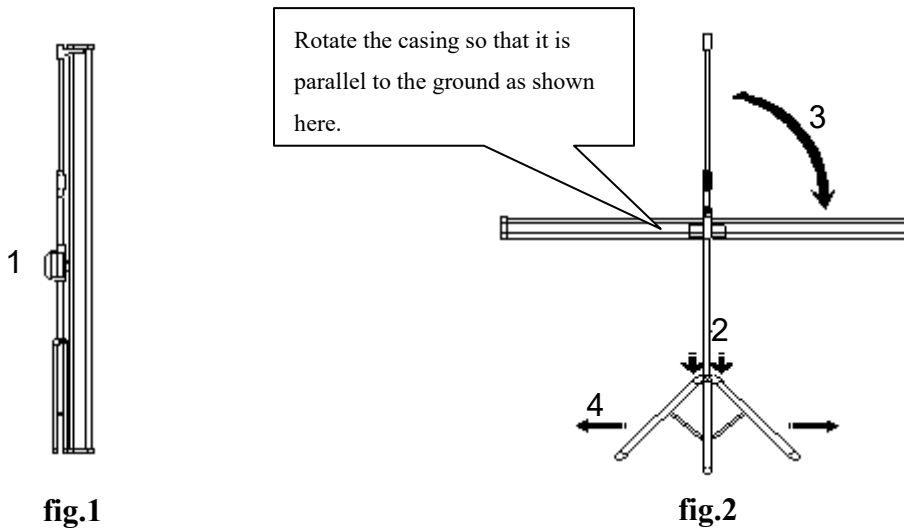


A. Screen set-up

Follow the steps below and refer to **Fig. 1 & 2**.

1. Place the screen in an upright position (fig.1) with the legs toward the ground.
2. Spread the Tripod Support legs by pushing down on the legs' junction as shown in fig.2.
3. Rotate the tripod's casing in a 90-degree horizontal position so that the screen's casing is now parallel to the ground and the screen's handle is positioned at the top of the casing.
4. Completely extend the legs as much as possible so they are stable and position them away from objects that may interfere with their balance.

DO NOT stand the tripod on an uneven platform to avoid injury should the tripod screen collapse.

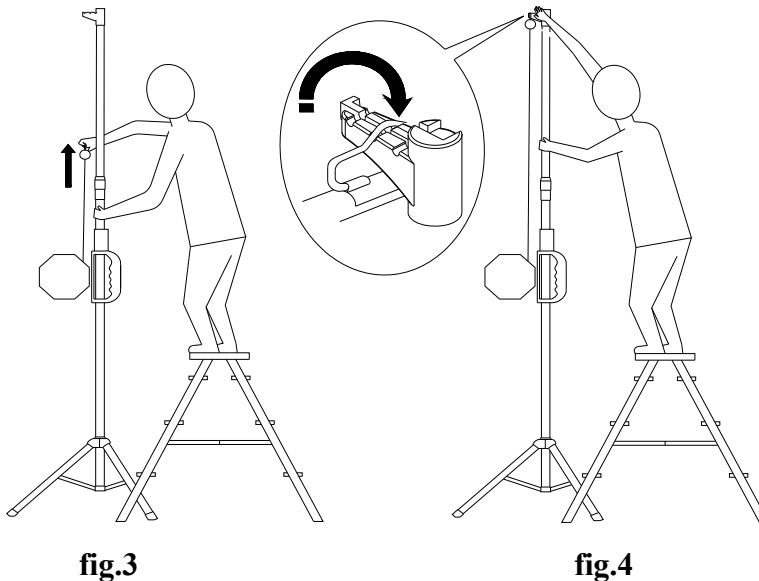


B. Preparing the tripod screen for projection:

Follow the steps below and refer to **Fig. 3&4**

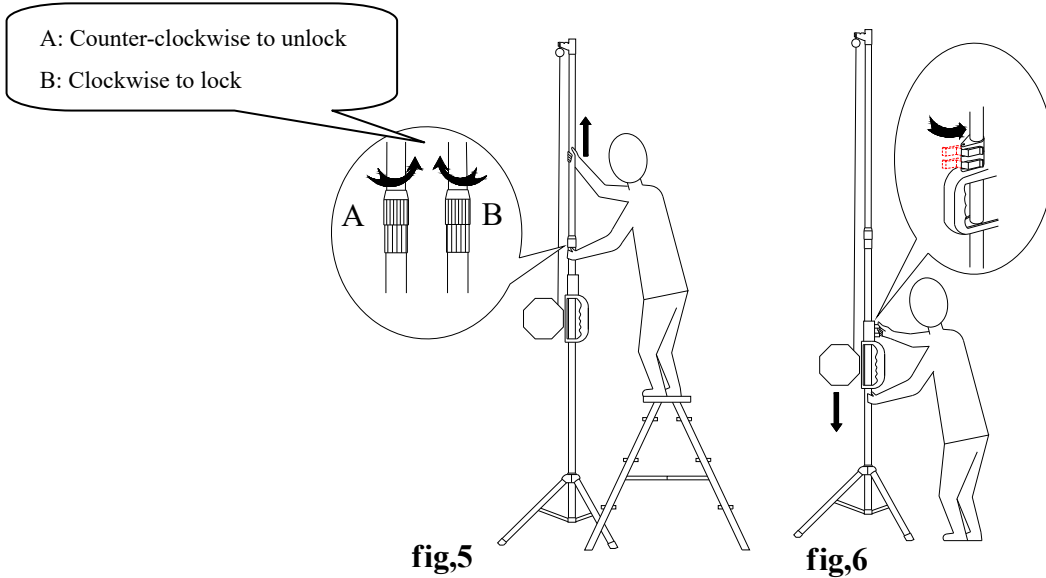
Note: At least 2 people are needed to set up the screen. Due to the height of the screen when extended, the use of a stool is recommended to properly hook the handle to the keystone eliminator.

1. While one person holds the casing horizontally leveled, the other person will need to stand on the stool and pull the screen handle up vertically and hook the screen handle on the **Top Hook** as shown in fig. 3 & 4.



2. Twist the **Vertical Locking Sleeve Ring** counter-clockwise to loosen the **Vertical Extension Bar** so that you can adjust the screen to your desired height. Follow the steps below and refer to **Fig.5**

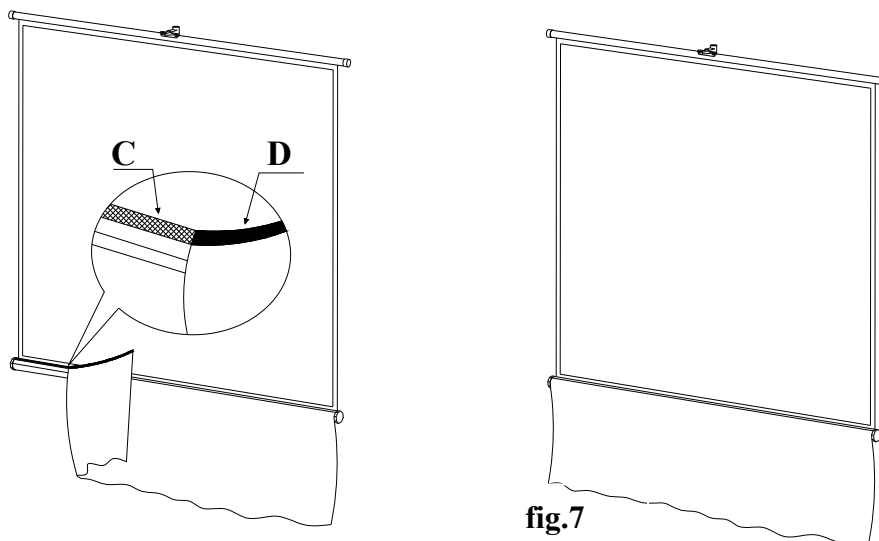
3. Pull the **Screen Height Adjustment Lock/Release tab** out (to the left), which is located just above the **Carrying Handle** to raise or lower the casing. Once the desired height has been set, push the tab back into the locked position. Follow the steps below and refer to **Fig 6**.



C. Curtain Installation:

Follow the step below and refer to **Fig. 7**

1. Align the **Velcro strip (C)** of the curtain to the **Velcro strip (D)** on the screen's casing and push along the length of the strips together so that the curtain sticks to the casing.



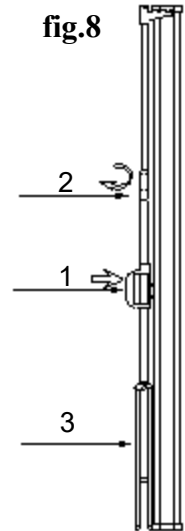
D. Screen tear-down:

Follow the steps below and refer to **Fig. 8**

1. Unlock the **Adjustment Handle** by pulling the locking tab to the **left** and slowly slide the casing down to its furthest point.
2. Hold the **Extension Bar** and twist the **Vertical Locking Sleeve Ring counter-clockwise** to unlock and release the position of the extension bar. Once the extension bar has been brought all the way down, unhook the screen material from the **Top Hook** and slowly retract the screen back into the case. You can then retighten the locking sleeve ring.

Note: It is very important to hold the extension bar first, and then unlock the sleeve to prevent the extension bar from slamming downwards and damaging the screen and to help prevent injury.

3. Close the tripod legs by pushing the junction upwards. The casing, extension bar and tripod legs should all be aligned as shown in fig. 8. Store the tripod in the provided **carrying bag**.



For a local ELITE SCREENS contact or Technical Support, please

visit ELITESCREENS.com